



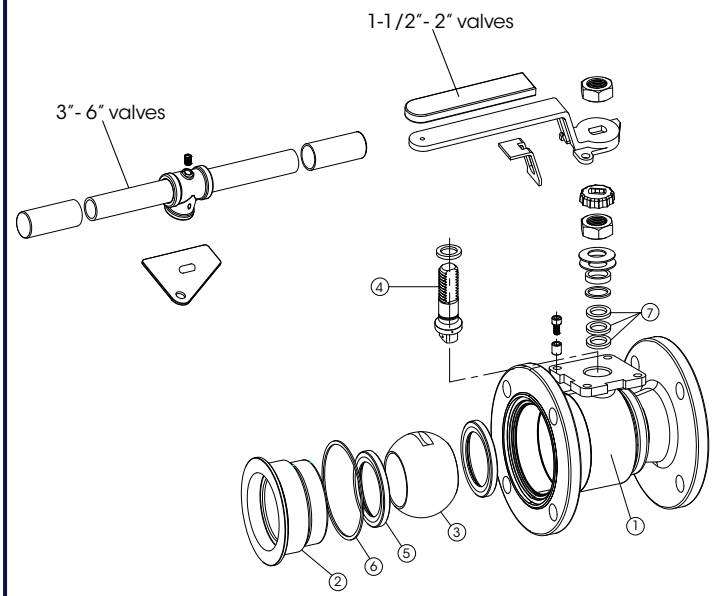
The SVF Series 41C Flanged Ball Valves are high performance, standard port valves certified to API-607 fire safe standard (with GRAFOIL® body seal only), API-608 and feature an ISO 5211 mounting pad for easy actuation. An OSHA compatible latch-lock handle comes standard, and a variety of seats and seals are available for a wide range of industrial applications.

### SERIES 41C DESIGN FEATURES

- ✓ Standard Fire Safe Certification to API 607 (with GRAFOIL® body seals only), Anti-Static
- ✓ Certified to API-608 to meet the additional design, operational and performance requirements of the Petroleum Refining, Petrochemical Processing and Chemical Processing Industries
- ✓ Standard NACE MR 0175
- ✓ Live-loaded stem packing ensures seal-tight pressure containment even under thermal cycling
- ✓ Standard seat material is TFM1600™. Optional SupraLon™ Seats for higher temperature, steam, and thermal fluid applications
- ✓ ISO 5211 mounting pad for easy automation
- ✓ Chevron (V-Ring) stem seals (#7) assures low friction and leak tight performance (Available in PTFE Only)
- ✓ Latch lock handle fully compatible with OSHA clamp for Lock-Out/Tag-Out



Exploded parts are only sold assembled and are not sold individually.



### MATERIALS OF CONSTRUCTION

ITEM	DESCRIPTION	MATERIALS SPECIFICATIONS (Additional options available)
1	Body	316 Stainless Steel (ASTM A351 CF8M) or Carbon Steel (ASTM A216 WCB)
2	End Cap	316L Stainless Steel (ASTM A351 CF3M) or Carbon Steel (ASTM A216 WCB)
3	Ball	316 Stainless Steel (ASTM A351 CF8M)
4	Stem	316 Stainless Steel (ASTM A276)
5	Seats	TFM1600™ or SupraLon™
6	Body Seal	GRAFOIL® + 316 Stainless Steel or PTFE
7	Stem Seals	GRAFOIL® or PTFE

### SPECIFICATION STANDARDS OF COMPLIANCE

- Design - ASME B16.34, NACE MR 0175
- Face to Face: ASME B16.10
- End Flange: ASME B16.5
- Wall Thickness: ASME B16.34
- Inspection & Testing: API 598, and optional API 6D
- Fire Safe: API 607, ISO 10497

What do you need today?™

HIGH PURITY VALVES  
**CleanFLOW**

**PRO-SPEC**  
PROCESS SPECIFIC

**QUALITY FLOWS THROUGH US**



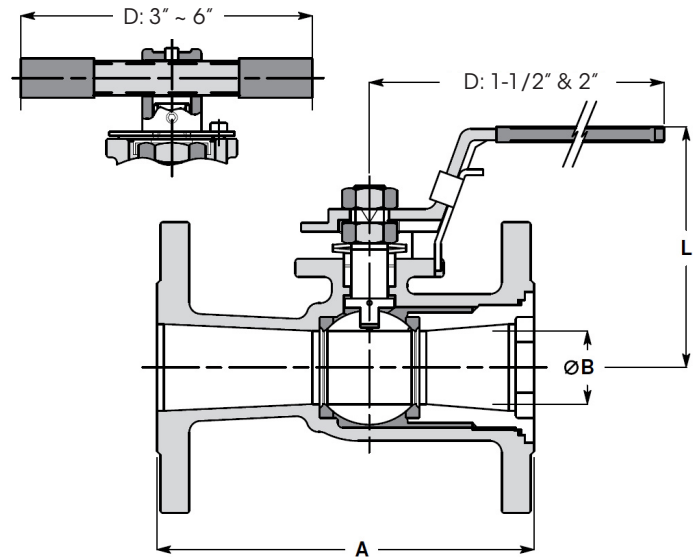
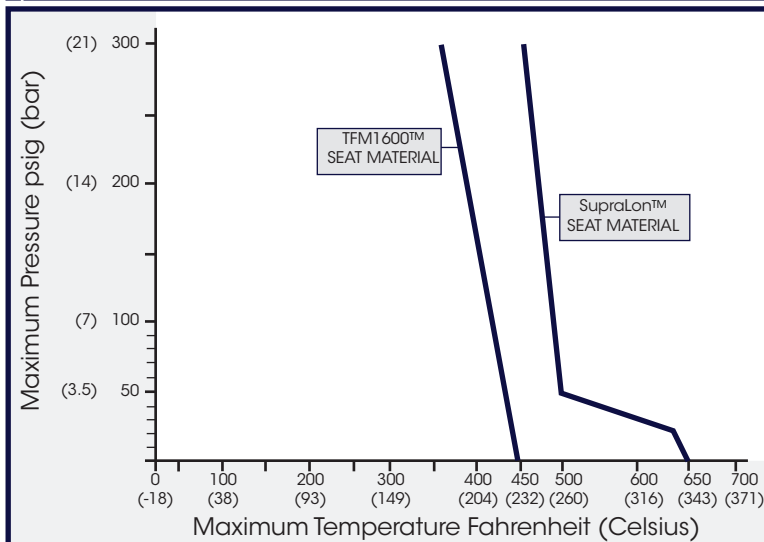
#### DIMENSIONS, WEIGHT, CV, TORQUE

#### \* Torque Tables

Size	A		B		D		L		Weight		Cv	TFM1600™		SupraLon™	
	in.	mm	in.	mm	in.	mm	in.	mm	lbs	kg		in-lbf	Nm	in-lbf	Nm
1-1/2"	6.50	165	1.26	32	7.87	200	4.13	105	10	4.6	130	218	25	312	36
2"	7.00	178	1.50	38	7.87	200	4.49	114	15	6.8	200	315	36	450	52
3"	8.00	203	2.37	60	11.81	300	5.59	142	31	14.2	450	696	79	995	113
4"	9.00	229	2.99	76	15.75	400	7.66	195	48	22.0	600	1136	129	1623	185
6"	10.50	267	3.94	100	15.75	400	9.50	241	100	45.0	1100	1972	223	2818	319

\* At full differential pressure

#### 41C - PRESSURE/TEMPERATURE CHART



#### HOW TO ORDER SERIES 41C BALL VALVES

Please refer to the next page for our comprehensive How to Order Guide for Series 41C Ball Valves.



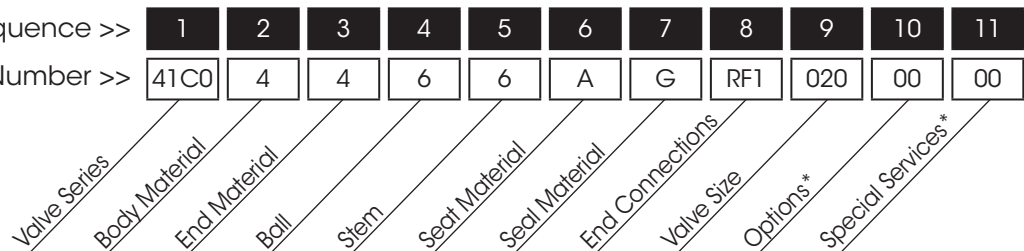
#### HOW TO ORDER Ordering Code Sequence (Columns 1 thru 11)

1	2	3	4	5	6
SERIES	BODY	ENDS	BALL	STEM	SEAT MATERIAL
<b>41C0</b>	<b>4 =</b> Carbon Steel ASTM A216 WCB  <b>6 =</b> 316 Stainless Steel ASTM A351 CF8M	<b>4 =</b> Carbon Steel ASTM A216 WCB  <b>6 =</b> 316 Stainless Steel ASTM A351 CF8M	<b>6 =</b> 316 Stainless Steel ASTM A351 CF8M	<b>6 =</b> 316 Stainless Steel ASTM A276	<b>A =</b> TFM1600™  <b>S =</b> SupraLon™
7	8	9	10	11	
BODY SEAL	END CONNECTIONS	VALVE SIZE	OPTIONS*	SPECIAL SERVICES*	
<b>G =</b> GRAFOIL®  <b>T =</b> PTFE	<b>RF1 =</b> 150# Flanged Ends (Raised Face)	<b>015 =</b> 1-1/2"  <b>020 =</b> 2"  <b>030 =</b> 3"  <b>040 =</b> 4"  <b>060 =</b> 6"	<b>00 =</b> None  <b>SX =</b> ISO Cast Stem Extension  <b>SJ =</b> Steam Jacket  <b>AP =</b> Steam Jacket & ISO Cast Stem Extension	<b>00 =</b> None  <b>XC =</b> Oxygen Cleaned  <b>SF =</b> Degreased (Silicone Free) <b>UH =</b> Vent/Relief Hole (Upstream Side) <b>AS =</b> Ammonia Service <b>AE =</b> Oxygen Cleaned & Vent Hole (Upstream Side) <b>AK =</b> Degreased & Vent Hole (Upstream Side)	

Order Example: (41C04466AGRF10200000) The Part Number will contain 20 digits.

Ordering Code Sequence >>

Sample Part Number >>



**NOTE:**

Manual Valves are supplied with lockable lever handles. Anti-Static Device is part of the standard assembly of these Valves.

\* Not all Options or Special Services available on all ball valves. Consult SVF for additional information.