

**SYNTHETIC  
COMPRESSOR OIL**  
**CENTURION SERIES**

**NATO Stock No. 6850-3287-9520**

**CENTURION 8000**

**LUPROMAX<sup>®</sup>**





# LUPROMAX CENTURION 8000

NATO Stock No. 6850-3287-9520

Synthetic  
Compressor Oil

## DESCRIPTION

LUPROMAX Oil with Heat Activated Technology™ is specially developed to LUBricate, PROtect and MAXimize your industrial equipment performance.

LUPROMAX CENTURION 8000 utilizes the highest performance synthetic compressor oil specifically developed to provide outstanding lubrication in a variety of rotary and reciprocating air compressors where the air delivery temperatures are greater than 150oC. LUPROMAX CENTURION 8000 has been formulated from highly refined polyalphaolefin and synthetic ester technology to provide outstanding oxidation performance, wear protection, resistance to rust and corrosion, rapid water separation and foam control. High viscosity index and low pour points of the polyalphaolefin base fluids permit application in a wider range of ambient operating temperatures than with conventional lubricants.

LUPROMAX CENTURION 8000 with Heat Activated Technology™ contains LUPROMAX's proven synthetic technology with a high performance additive system provides long service life in most compressor applications. The thermal stability and oxidation resistance of this fluid helps to maintain cleaner compressors by continuously preventing the formation of varnish and carbon deposits, thereby enabling longer running periods between scheduled maintenance and oil changes. The outstanding anti-wear and corrosion protection are designed to enhance equipment life, while reducing maintenance requirements.

## ADVANTAGES

- Excellent lubrication at high temperatures and pressures.
- Outstanding resistance to oxidation breakdown.
  - Excellent resistance to oxidative breakdown caused by exposure to air at high discharge temperatures.
  - Reduces oil thickening, maintaining good fluidity through pumps, lines, filters and actuators.
  - Control build-up of acidic by-products that can accelerate oil deterioration and promote corrosion.
  - Controls build-up of sludge and varnish to ensure smooth operation through fine tolerances.
  - Extends maintenance intervals.
- Higher thermal stability reduces carbon deposit formation.
  - Improves compressor operating efficiency and lower energy consumption costs.
  - Reduces valve sticking and maintains heat transfer efficiency of intercoolers.
- Outstanding wear protection.
  - Prolongs the service life of working components such as rotor bearings, vane tips, piston rings and liners.
  - Reduces overall maintenance costs.
- Outstanding rust and corrosion protection.
  - Helps to extend component life, especially when running intermittent service in high humidity conditions.
- Enhanced system efficiency and cleanliness.
  - Promotes system efficiency by suppressing foaming, releasing trapped air and rapidly separating out condensed water.
  - Resists formation of varnish and carbon deposits in sliding vane slots, cylinders, valves, discharge line, intercoolers and after-coolers.

*LUPROMAX CENTURION is engineered to provide outstanding protection and performance for compressors.*

*LUPROMAX – LUBRICATES, PROTECTS & MAXIMIZES your industrial equipment performance*





# LUPROMAX CENTURION 8000

NATO Stock No. 6850-3287-9520

Synthetic  
Compressor Oil

## APPLICATIONS

LUPROMAX CENTURION 8000 is designed to optimize performance and protection in a variety of rotary and reciprocating air compressors.

- LUPROMAX CENTURION 8000 is recommended for lubrication of reciprocating, rotary screw slide vane air compressors where the air delivery temperatures are greater than 150°C.
- LUPROMAX CENTURION 8000 is not recommended for use in breathing air compressors.
- LUPROMAX CENTURION 8000 is specially designed to give you confidence of protection, where conventional oils often may not perform.

## STORAGE

All packages should be stored under cover. Where outside storage is unavoidable drums should be laid horizontally to avoid the possible ingress of water and damage to drum markings. Product should not be stored above 60°C, exposed to hot sun or freezing conditions.

## SPECIFICATIONS

LUPROMAX CENTURION 8000 Compressor Oil meets and exceeds the requirements of DIN 51506 VDL.

| Properties          |        |      | Method     | LUPROMAX CENTURION 8000 |       |       |       |
|---------------------|--------|------|------------|-------------------------|-------|-------|-------|
| ISO Viscosity Grade |        |      | SAE J 300  | 46                      | 68    | 100   | 150   |
| Kinematic Viscosity | @40°C  | cSt  | ASTM D445  | 45.8                    | 68.5  | 101   | 151   |
| Kinematic Viscosity | @100°C | cSt  | ASTM D445  | 7.78                    | 10.5  | 13.9  | 18.7  |
| Viscosity Index     |        |      | ASTM D2270 | 139                     | 140   | 142   | 143   |
| Flash Point         | °C     |      |            | 242                     | 255   | 258   | 260   |
| Pour Point          | °C     |      |            | -45                     | -45   | -42   | -39   |
| Density             | @15°C  | kg/l | ASTM D4052 | 0.848                   | 0.853 | 0.855 | 0.858 |

## HEALTH, SAFETY & ENVIRONMENT

- Health and Safety

LUPROMAX CENTURION is unlikely to present any significant health or safety hazard when used properly in the recommended application provided in the Material Safety Data Sheet (MSDS) are followed.

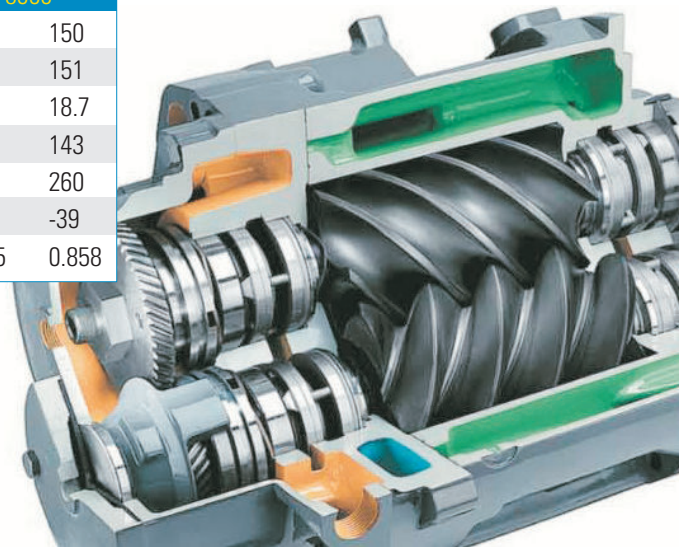
Avoid contact with skin. Use impervious gloves with used oil. After skin contact, wash immediately with soap and water. Guidance on Health and Safety is available on the appropriate Material Safety Data Sheet, which can be obtained upon request through your sales contract office, or via the internet.

- Protect the Environment

Take used oil to an authorized collection point. Do not discharge into drains, soil or water.

## AVAILABLE PACKAGING

20 liters pail/ 200 liters drum





Revolutionizing the Lubrication Industry through Heat Activated Technology

For more information about Lupromax products, please contact your local distributor or Magna offices:

Distributed by:



**Headquarters & Far East Office:**  
**Magna International Pte Ltd**

10H Enterprise Road  
Singapore 629834  
**Tel** (65) 6788-1228  
**Fax** (65) 6785-1497  
**Email** info@magnachem.com.sg  
**Website**  
<http://www.magnachem.com.sg>

**Indonesia Office:**  
**PT Magna Indonesia**

Central Park Office Tower,  
18th floor Suite #2  
Jl. Letjen S. Parman Kav. 28  
Jakarta Barat 11470  
**Tel** (62)021-2903 4333  
**Fax** (62) 021-2903 4260  
**Email** contactus@lupromax.co.id

**North America Office:**

1450 Government Rd West  
Kirkland Lake Ontario P2N 2E9  
Canada  
**Email** magna@vappro.com

**Australia Office:**

6/632-542 Hampton Street,  
Hampton VIC 3188  
Melbourne Australia  
**Email**  
nelsoncheng@magnaaustralia.com.au  
**Website**  
<http://www.magnaaustralia.com.au>

**ISO 9001**



**ISO 14001**



This data sheet and the information it contains is believed to be accurate as the data of printing. However, no warranty or representation, express or implied, is made as to its accuracy or completeness. Data provided is based on standard tests under laboratory conditions and is given as a guide only. Users are advised to ensure that they refer to the latest version on this data sheet. It is the responsibility of the user to evaluate and use products safely, to assess suitability for the intended application and to comply with all applicable laws and regulations. Material Safety Data Sheets are available for all our products and should be consulted for appropriate information regarding storage, safe handling, and disposal of the product. No responsibility is taken for any damage or injury resulting from abnormal use of material, from any failure to adhere to recommendations, or from hazards inherent in the nature of the material. All products, services and information supplied are provided under our standard conditions of sale. You should consult our local representative if you require any further information.

# LUPROMAX<sup>®</sup>