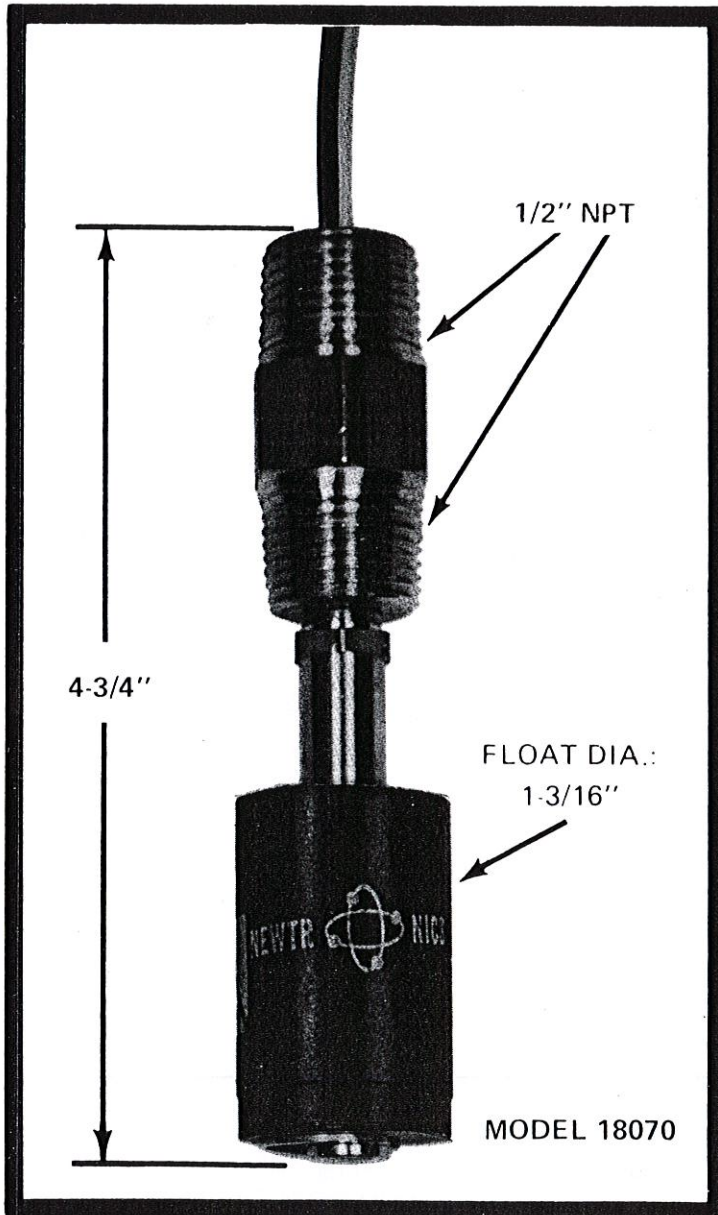


# NEWTRONICS

## FLUID LEVEL SWITCH FOR HYDRAULIC RESERVOIRS



### LEVEL SWITCH

Electrical Switch Rating — Resistive Load: S.P.D.T.

Maximum Resistive Load 10 VA — AC & DC Protection Required For Inductive Load

Maximum Current: 0.25 Amps.

One Activation Level

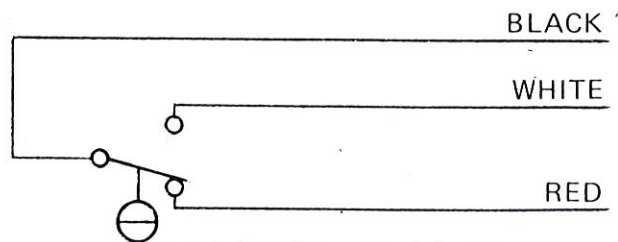
Wire: 18 AWG

Fluid Specific Gravity: 0.85

Buna N Float

Brass Construction

### WIRING SCHEMATIC



Red & Black Wires — — N.C., DRY

White & Black Wires — — N.O., DRY

SPECIAL FLOAT AVAILABLE FOR PHOSPHATE ESTER FLUIDS

N 1051 4/80



## NEWTON MANUFACTURING CO.

4249 DELEMERE BLVD. • ROYAL OAK, MICH. 48073 • (313) 549-9600

