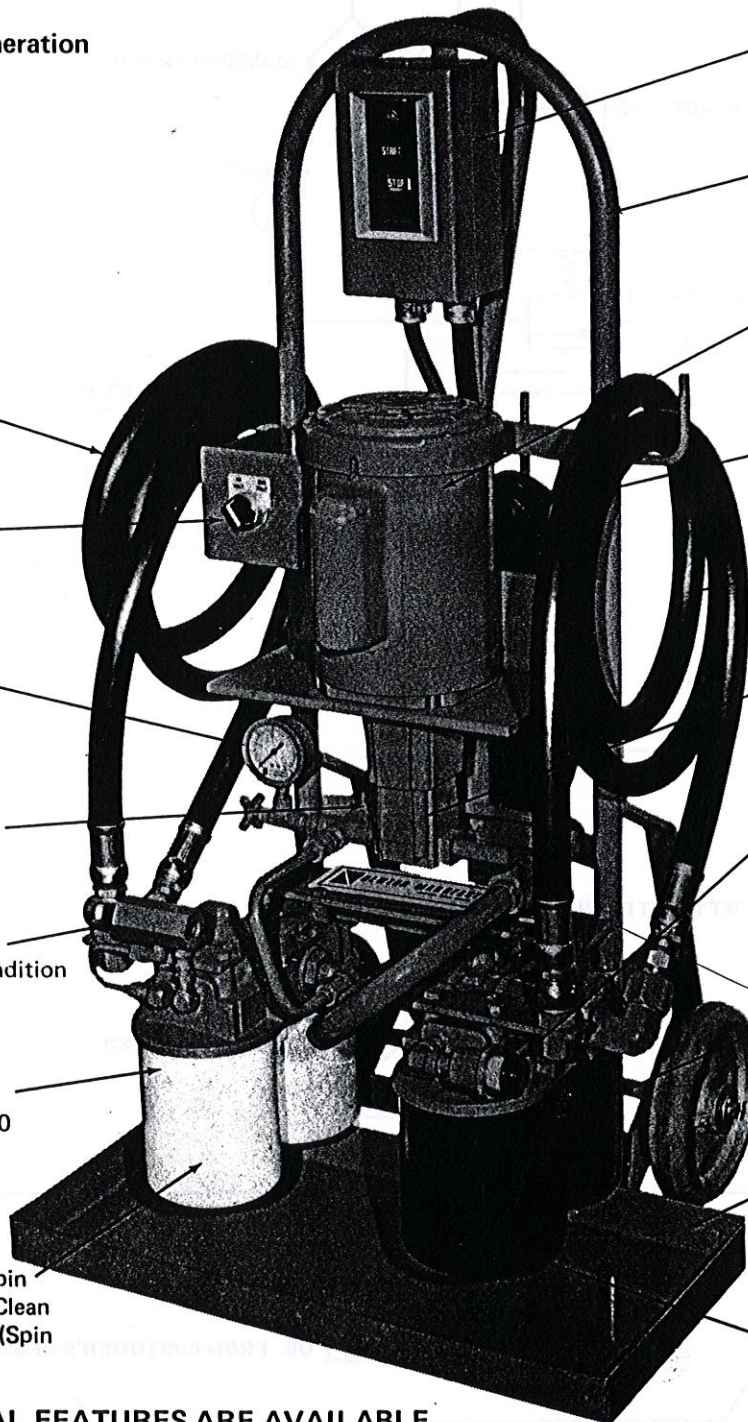




NEWTON

COMPACT PORTABLE FILTER CART

for Purification, Regeneration
and Transfer of:
HYDRAULIC OIL
LUBRICATING OIL
COOLANTS
QUENCH OIL
PROCESS FLUIDS



10 ft. Heavy Duty Discharge Hose

110/220 V. Selector

Discharge Pressure Gage

Pump Safety Relief Valve

Visual Indicator Showing Filter Contamination Condition

10 Micron Dual Element Discharge Filtration (1500 Sq. In. of Filter Area)

Low Cost, Disposable "Spin On" Elements For Fast, Clean and Simple Maintenance (Spin Off/Spin On Cannisters)

Motor Starter

Industrial Grade Steel Hand Truck with Rubber Wheels

1/2 HP, 110V/220V/1 ϕ /60 cy. TEFC Electric Motor

25 ft., 3 Wire Heavy Duty 12-3 Electric Cord

10 ft. Heavy Duty Intake Hose

250 GPH Transfer Pump

Visual Indicator Showing Filter Contamination Condition.

25 Micron Dual Element Intake Filtration for Primary Filtration and Transfer Pump Protection (1500 Sq. In. of Filter Area)

Drip Pan

Low Cost, Disposable "Spin On" Elements for Fast, Clean and Simple Maintenance (Cannisters Spin On/ Spin Off)

NOTE: ADDITIONAL FEATURES ARE AVAILABLE

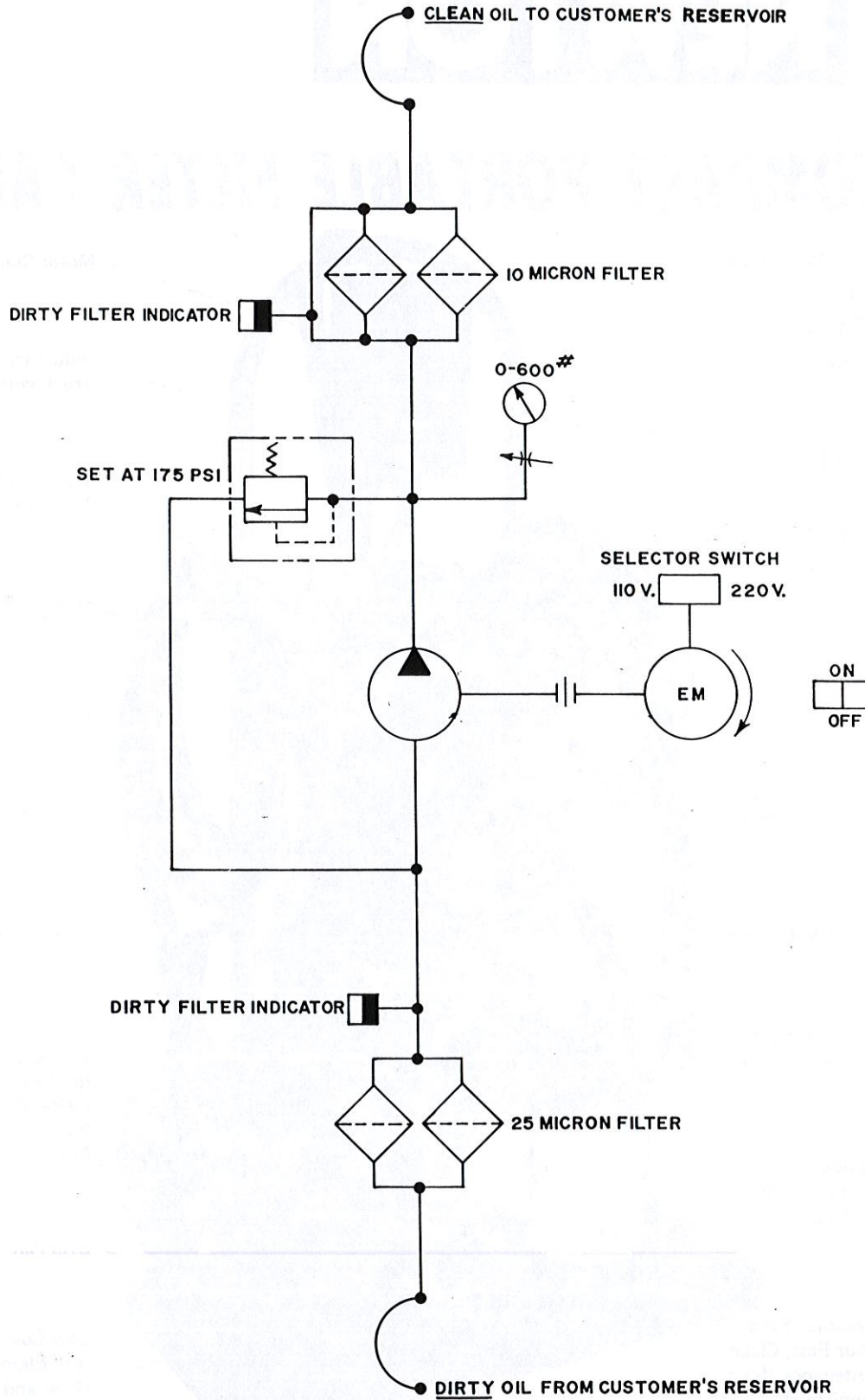


NEWTON MANUFACTURING CO.

4249 DELEMERE BLVD. • ROYAL OAK, MICHIGAN 48073
PHONE: (313) 549-9600 • TWX: 810-232-4894



COMPACT PORTABLE FILTER CART



N 1054 4/80



NEWTON MANUFACTURING CO.

4249 DELEMERE BLVD. • ROYAL OAK, MICHIGAN 48073
PHONE: (313) 549-9600 • TWX: 810-232-4894

