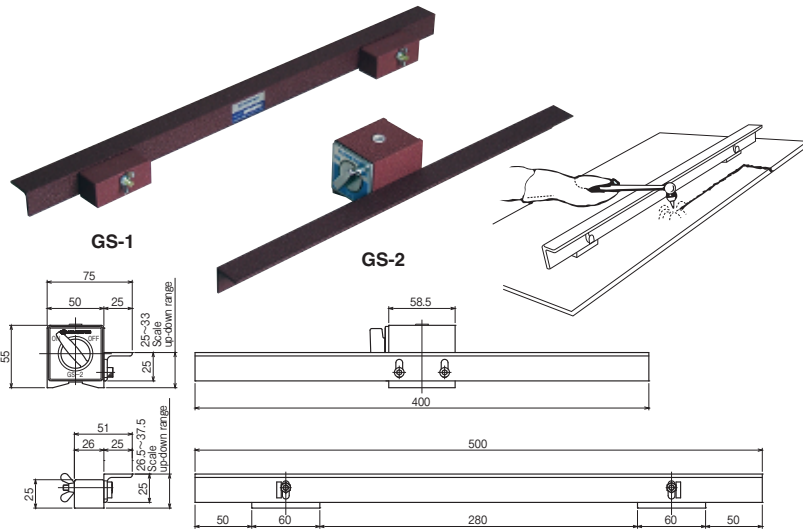


MAGNETIC TOOLS & EQUIPMENT FOR WELDING OPERATION

Model GS GUIDE SCALE



[Application]

Special guide tools for moving a torch while maintaining the height of the nozzle during gas welding.

[Features]

- A high-performance permanent magnet holds the scale firmly.
- Model GS-1 allows scale up-down adjustment according to the height of the nozzle.
- Model GS-2 allows its magnetic force to be turned on and off with a lever for easy mounting and demounting.

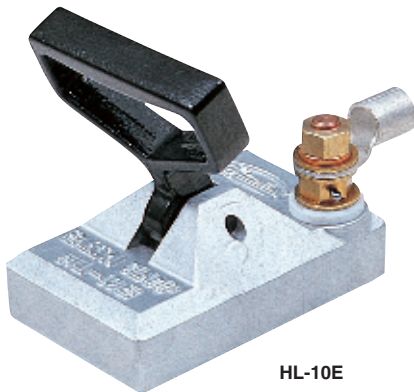
Model	Holding Power	Scale Length	Magnet		Mass
			Width	Height	
GS-1	200N (20kgf)	500 (19.6)	26 (1.02)	25 (0.98)	1.1kg/2.42 lb
GS-2	800N (80kgf)	400 (15.7)	50 (1.96)	55 (2.16)	2.3kg/5.07 lb

※ The holding power is based on a test piece of SS400, 10 mm thick, ground surface.

※ The holding power of GS-1 is the power per magnet holder.

※ The material of the scale is SS.

Model HL-E EARTH CLAMP



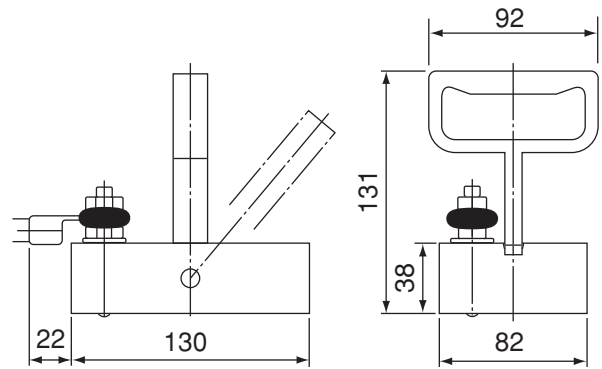
HL-10E

[Application]

Capable of connecting earth terminals on a wide variety of faces.

[Features]

- A high-performance permanent magnet is used for easy mounting and demounting by simple operation.



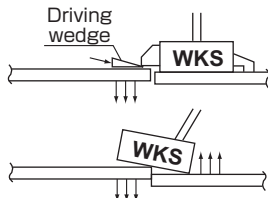
Model	Holding Power	Current Capacity	Mass
HL-10E	1600N (160kgf)	300A	1.5kg/3.30 lb

※ The holding power is based on a test piece of 16 mm thick mill scale steel plate.

Model WKS WELDING JIG FOR TACK WELDING

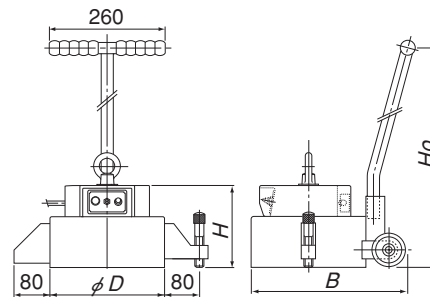
[Application]

Electromagnetic devices that can easily adjust positioning during tack welding of steel plates.



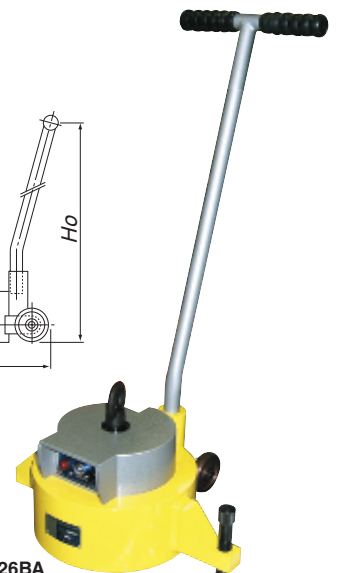
[Features]

- Can be attracted at the meeting point by a turn of the switch.
- Correcting work can be done easily by driving a wedge.
- WKS-26 and 30 types are equipped with wheels for easy movement.
- WKS-16 type is handy type that is easy to carry or handle on work sites.
- They come with a rectifier.



[mm (in)]

Model	Holding Power		Dimensions				Power Source		Working Rate	Mass
	Steel plate 20 mm thick	Steel plate 50 mm thick	D	H	B	Ho	Voltage	Current		
WKS-16BA	8kN (800kgf)	10kN (1000kgf)	162 (6.37)	186 (7.32)	—	—	Single-phase 200 VAC	0.5 A	100% ED	Approx. 16kg/35.2 lb
WKS-26BA	20kN (2000kgf)	36kN (3600kgf)	258 (10.1)	185 (7.28)	435 (17.1)	813 (32.0)		1.5 A		Approx. 50kg/110 lb
WKS-30BA	25kN (2500kgf)	50kN (5000kgf)	296 (11.6)	220 (8.66)	473 (18.6)	828 (32.5)				Approx. 70kg/154 lb



WKS-26BA

! Precautions for use These holders cannot be used for work where heat is applied for long hours. If the magnet is subjected to high temperature, its magnetic force will drop or be lost suddenly, causing the workpiece to come off the attractive face. Exercise caution.