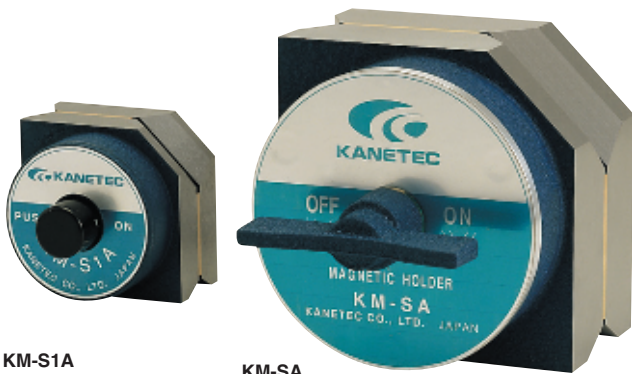


MAGNETIC TOOLS & EQUIPMENT FOR WELDING OPERATION

Model KM-SA HEXAGONAL MAGNETIC HOLDER

MAGNETIC TOOLS & EQUIPMENT FOR WELDING OPERATION
 LIFTING MAGNET
 MAGBORER
 CHIP & SLUDGE
 CONVEYANCE EQUIPMENT
 ENVIRONMENTAL
 DEMAGNETIZER
 MAGNETIZER AND
 MAGNETIC EQUIPMENT
 FOR CONVEYANCE
 MAGNETIC
 SEPARATORS
 POWERFUL MAGNETIC
 TOOLS
 MEASURING
 INSTRUMENTS
 MAGNETIC
 MATERIALS



KM-S1A

KM-SA

Holding Power	
Steel bar	Steel plate
200-300N	200-600N

Holding Power	
Steel bar	Steel plate
600-900N	1200-1400N



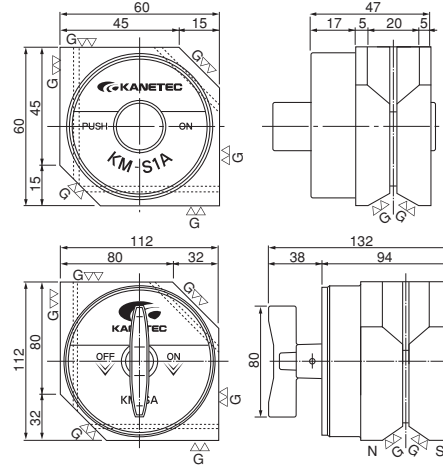
[Application]

These holders provide strong holding power for temporary holding during welding and temporary assembly. These holders can also be used as a block.

[Features]

- The holding angle can be set to 45°, 90° and 135°.
- The small type is equipped with a pushbutton and the large type with a rotary handle for turning on and off the magnetic force.
- The V-groove provided makes this holder to generate strong holding power on curved surface as well as flat surface of workpieces.

<Min. diameter of workpieces that can be held> KM-SA: φ6 and over, KM-S1A: φ5 and over



[mm (in)]

Model	Holding Power		Dimensions	Mass
	Steel bar	Steel plate		
KM-SA	600-900N (60-90kgf) [150-200N (15-20kgf)]	1200-1400N (120-140kgf) [800-1000N (80-100kgf)]	112(4.40) × 112(4.40) × 94(3.70)	6.0kg/13.2 lb
KM-S1A	200-300N (20-30kgf) [50-70N (5-7kgf)]	200-600N (20-60kgf) [100-350N (10-35kgf)]	60(2.36) × 60(2.36) × 42(1.65)	0.85kg/1.87 lb

※ The holding power on steel plate is based on a test piece of SS400, 10 mm thick, ground surface.
Note : The holding power in [] is for attraction on one face in the case of double-face attraction.

Model KM-S HEXAGONAL MAGNETIC HOLDER

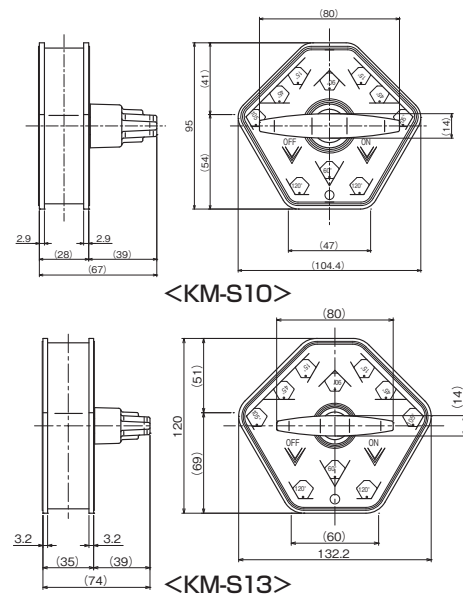


Holding Power
Steel plate
150-250N

KM-S10

Holding Power
Steel plate
250-450N

KM-S13



[mm (in)]

Model	Holding Power	Dimensions	Mass
	Steel Plate		
KM-S10	150-250N (15-25kgf)	104(4.09) × 95(3.74) × 67(2.63)	0.9kg/1.98 lb
KM-S13	250-450N (25-45kgf)	132(5.19) × 120(4.72) × 73(2.87)	1.6kg/3.52 lb

※ The holding power on steel plate is based on a test piece of SS400, 10 mm thick, ground surface.

[Application]

Usable for temporary holding during welding and temporary assembly. These holders hold workpieces firmly.

[Features]

- The holding angle can be set to 15°, 45°, 60°, 90°, 105° and 120°.
- The magnetic force can be turned on and off.
- The holding power on steel plates is about the same as when both faces of KM-S9 and S12 are used and at angles other than 105°, the holding power drops little when two faces are used.



Precautions for use

These holders cannot be used for work where heat is applied for long hours. If the magnet is subjected to high temperature, its magnetic force will drop or be lost suddenly, causing the workpiece to come off the attractive face. Exercise caution.