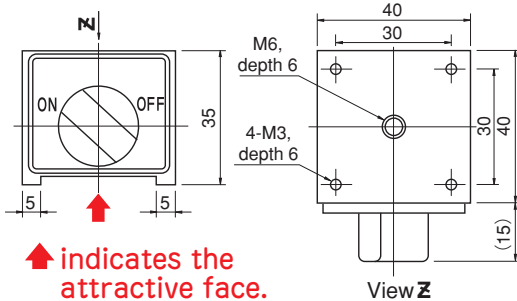


Model MB MAGNETIC HOLDER BASE

Holding power
200N
or over.



MB-0404



[Application]

This base can be used widely as a magnetic force ON/OFF type magnetic holder base. It is designed small and is useful as a base for temporarily mounted legs of equipment, sensors and lasers by mounting a jig using tapped holes or by some additional machining.

[Features]

- The base can be mounted and demounted easily using the ON/OFF lever.
- Compact but powerful magnetic force.
- Drip-proof and oil-resistant construction.

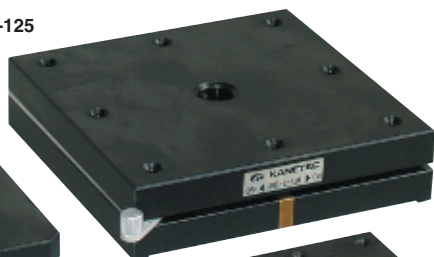
Model	Holding Power	Dimensions			Mounting Hole	Mass
		Width	Height	Length		
MB-0404	200N (20kgf) or over	40 (1.57)	35 (1.37)	40 (1.57)	M6 (0.23), depth 6 (0.23) (center tapped hole) 4-M3 (0.11), depth 6 (0.23) (pitch 30 (1.18)) (Tapped holes on periphery)	0.4kg/0.8 lb

※The holding power is based on a test piece of SS400, 25 mm thick, ground surface.

Model MB-L THIN PERMANENT MAGNETIC HOLDER BASE

Holding power
800N

MB-L-125



Holding power
250N

MB-L-90



MB-L-45

Holding power
65N

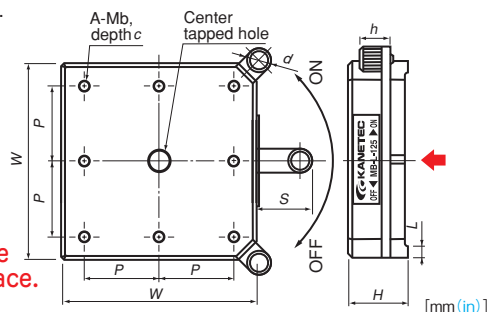
Holding power
200N

[Application]

Suitable as a base for securing jigs and measuring equipment on an iron surface plate or machine table and as a temporary base for laser and optical measurement. Since these bases are of switchover type permanent magnetic bases, they are recommended for applications that require fine adjustment and accuracy.

[Features]

- Simple ON/OFF operation with the lever.
- Thin and powerful magnetic force.
- Dry specification.



Model	Holding Power	Dimensions			Center Tapped Hole	Peripheral Tapped Hole			Operating Lever		Mass		
		W	H	L		P	A	b	c	S		d	h
MB-L-45	65N (6.5kgf)	45 (1.77)	20 (0.78)	2.5 (0.09)	M8 (0.31) × P1.25 (0.04), depth 8 (0.31)	25 (0.98)	4	M4 (0.15) × P0.7 (0.02)	6 (0.23)	15 (0.59)	19 (0.74)	9 (0.35)	0.3kg/0.66 lb
MB-L-65	200N (20kgf)	65 (2.55)	20 (0.78)	4 (0.15)	M8 (0.31) × P1.25 (0.04), depth 8 (0.31)	25 (0.98)	4	M4 (0.15) × P0.7 (0.02)	6 (0.23)	19 (0.74)	24 (0.94)	10 (0.39)	0.6kg/1.32 lb
MB-L-90	250N (25kgf)	90 (3.54)	20 (0.78)	6 (0.23)	M8 (0.31) × P1.25 (0.04), depth 8 (0.31)	25 (0.98)	8	M4 (0.15) × P0.7 (0.02)	6 (0.23)	24 (0.94)	24 (0.94)	10 (0.39)	1.2kg/2.64 lb
MB-L-125	800N (80kgf)	125 (4.92)	30 (1.18)	6 (0.23)	M16 (0.23) × P1.0 (0.03), depth 8 (0.31)	50 (1.96)	8	M6 (0.23) × P1.0 (0.03)	8 (0.31)	36 (1.41)	36 (1.41)	10 (0.39)	3.3kg/7.27 lb

※The holding power is based on a test piece of SS400, 25 mm thick, ground surface.
 ※Slight additional work such as making a tapped hole on the top face is allowed. For details, please contact us.

An example of usage

Mounting base of precision equipment



Model MB-L-C THIN PERMANENT MAGNETIC HOLDER BASE



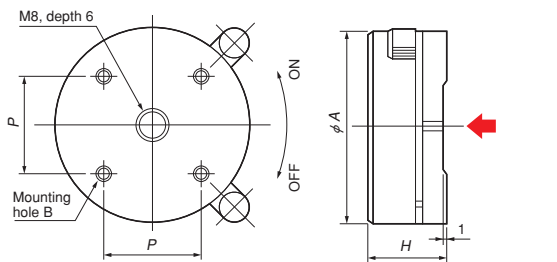
Holding power
59N

MB-L-C50



Holding power
196N

MB-L-C75



[Application]

Suitable as a base for securing jigs and measuring equipment on an iron surface plate or machine table and as a temporary base for laser and optical measurement. Since these bases are of switchover type permanent magnetic bases, they are recommended for applications that require fine adjustment and accuracy.

[Features]

- Simple ON/OFF operation with the lever.
- Thin and powerful magnetic force.
- Dry specification.

Model	Holding Power	Dimensions		Mounting Hole		Mass
		A	H	P	B	
MB-L-C50	59N (6kgf)	50 (1.96)	20 (0.78)	25 (0.98)	M4 (0.15) Depth 6 (0.23)	0.30kg/0.6 lb
MB-L-C75	196N (20kgf)	75 (2.95)	20 (0.78)	35 (1.37)	M4 (0.15) Depth 6 (0.23)	0.68kg/1.5 lb

※The holding power is based on a test piece of SS400, 25 mm thick, ground surface.
 ※Slight additional work such as making a tapped hole on the top face is allowed. For details, please contact us.

ELECTROMAGNETIC CHUCKS
 CHUCK CONTROLLERS
 PERMANENT ELECTROMAGNETIC CHUCKS
 MAGNETIC CHUCKS
 PERMANENT ELECTROMAGNETIC CHUCKS
 MAGNETIC CHUCKS
 BLOCKS FOR MC
 VACUUM CHUCKS
 PROMELTA* SYSTEM
 SINE BAR CHUCKS
 BLOCKS, HOLDERS, MINI CHUCKS
 HOLDING TOOLS
 MEASURING TOOL HOLDERS
 MAGNETIC HOLDERS
 MAGNETIC TOOLS