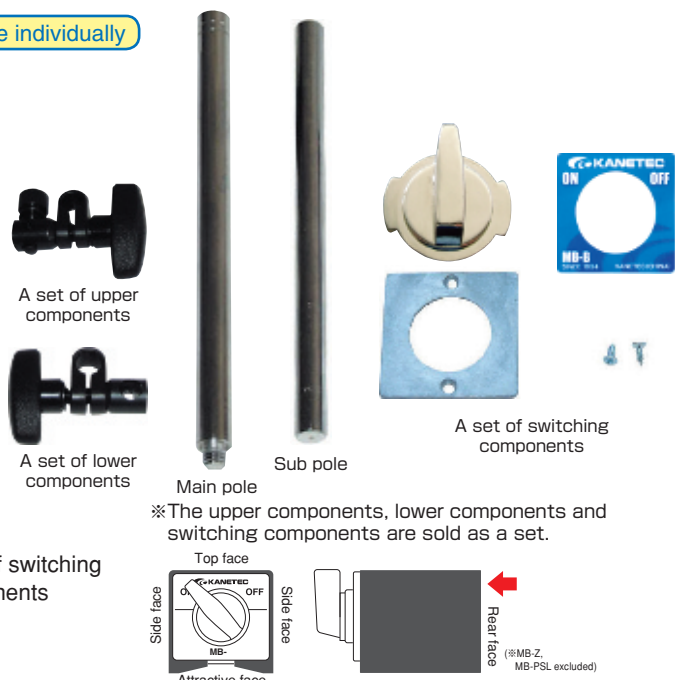
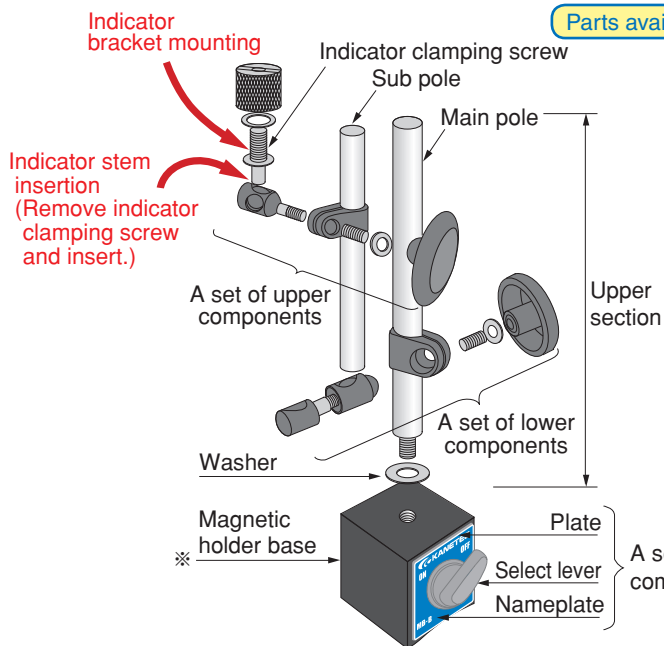
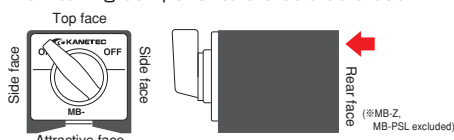


<Names of major components of MB-B>

Parts available individually



※The upper components, lower components and switching components are sold as a set.



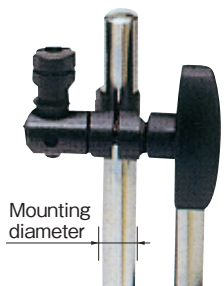
※Refer to P69 and P72 for the common models. Note, however, that there may be difference in the main pole mounting thread hole and so on.

↑ ↑ indicates the attractive face.

Model DG OPTIONAL CLAMP FOR MAGNETIC BASE/HIGH LOCK BASE

Measurement variation expanded.

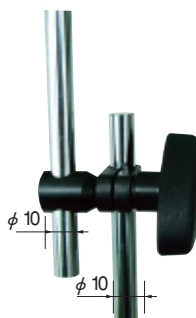
■ Upper components Model DG-6 (Components for mounting dial gage)



[Application]
Optionally sold when $\phi 4.5$ mm mounting hole is required on MB-B, BV, F2 and K.
[Features]
●Upper components with $\phi 4.5/6.6$ mm mounting hole.

MB-B (Common with BV/F2)
Model **DG-6-B** (Mounting diameter $\phi 10$)
MB-K (Common with W2S)
Model **DG-6-K** (Mounting diameter $\phi 12$)

■ Lower components Model MB-CMF (Components for mounting $\phi 10$ sub pole)



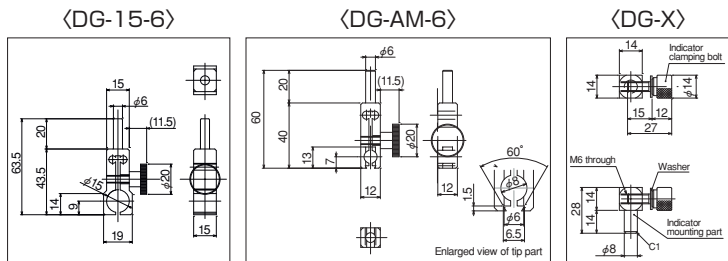
[Application]
An optional unit for mounting one $\phi 10$ sub pole in addition to the existing $\phi 10$ sub pole.
[Features]
●An application range of magnetic bases is expanded such as holding light weight objects by, for example, extending the sub pole.
※Depending on measurement conditions, the rigidity may drop. Pay attention to a drop in measurement accuracy.

Applicable models: MB-B, BV, F2 (Sub pole diameter 10 mm)
Model **MB-CMF1010**

Designed for Magnetic Base and High Lock Base

[Application]
Mounted on a magnetic base or High Lock Base to secure a dial gage, linear gage, etc.
[Features]

- $\phi 6$ shaft to suit the mounting hole of MB Series upper components. (DG-15-6, DG-AM-6)
- A larger diameter dial gage such as a liner gage ($\phi 15$) can be clamped. (DG-15-6)
- $\phi 8$ and $\phi 6$ holes are provided for securing a dial gage in the dovetail groove. (DG-AM-6).
- $\phi 8$ shaft to suit the tip mounting part of MB-MX and MB-OX to secure the bracket of a dial gage. (DG-X)



Model	Applicable Base	Specification	Mass
DG-15-6	MB-series, MX, OX	$\phi 15$ dial gage (linear gage, etc.)	68g / 0.15 lb
DG-AM-6	MB-series	Dial gage with dovetail groove	49g / 0.11 lb
DG-X	MB-MX, OX	Dial gage with bracket	40g / 0.09 lb

ELECTROMAGNETIC CHUCKS
CHUCK CONTROLS
PERMANENT ELECTROMAGNETIC CHUCKS
PERMANENT ELECTROMAGNETIC CHUCKS
BLOCKS FOR MC
VACUUM CHUCKS
PROMELTA* SYSTEM
SINE BAR CHUCKS
BLOCKS, HOLDERS, MINI CHUCKS
HOLDING TOOLS
MEASURING TOOL HOLDERS
MAGNETIC HOLDERS
MAGNETIC TOOLS