

Next - Gen



# LandMark™ 007X IMU

High Dynamic IMU with VELOX™



The Next-Gen, SX2, LandMark™007X IMU is built for high dynamic applications and offers **the latest advancements in MEMS inertial technology**. This high speed, three-axis IMU is equipped with low noise sensors, cutting edge VELOX™ processing and user configurable firmware with the most advanced features available. The LandMark™007X IMU comes fully modeled and calibrated over temperature and is **the premier MEMS IMU for high dynamic stabilization and precision measurement applications**.

0.002°/s/vHz  
ARW

10 kHz  
Output Rate

0.075°/s  
Bias Over Temperature

600Hz  
Bandwidth

2000°/s  
Gyro Rate

200g  
Accel Range

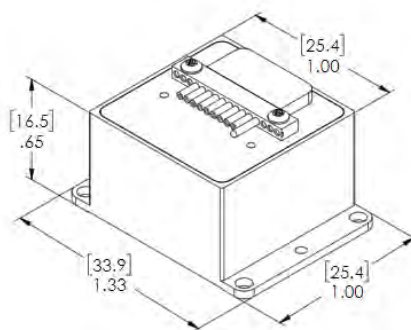
**Low Noise. High Speed.**  
*Inertial Systems and Sensors*



# LandMark™007X IMU

Performance		
Parameter	Gyro	Accel
Range	2000°/s	200g
ARW	0.002°/s/√Hz / 0.09√Hr	5mg/√Hz
Bias In-Run	4°/h	5 mg
Bias Over Temp.	0.075°/s	+/-60mg
G Sensitivity	< 0.001°/s/g	1 mg/g <sup>2</sup>
Scale Factor Error	1000 PPM	6000 PPM
Alignment	0.5 mrad	5 mrad
Environment		
Shock	1000 g ½ sine 1 ms powered on	
Vibration	15 gRMS (20 Hz to 2 kHz) random	
Calibrated Temp	-50°C to 85°C	
Non-Operating Temp	-55°C to 85°C	
Interface with VELOX™ and VELOX™ Plus Enhanced Options		
	VELOX™	VELOX™ Plus
Data Interface	RS422/485	16/24/32 Bit
Data Rate	8 kHz	10 kHz
External Sync	8 kHz	10 kHz
Max Baud Rate	3.0 Mbaud	7.5 Mbaud (user specified)
Max Bandwidth	350 Hz	600 Hz
Digital Message Delay	155 µs	114 µs
Electrical		
Input Voltage	+4.5V to +5.5 V Max. Input (single sided)	
Power Consumption	280 mW Typical / 450 mW Maximum	
Mechanical		
Mass	25 grams ±	
Size	Metric: 2.54 x 2.54x 1.65 = 10.65 cm <sup>3</sup> US: 1.0 x 1.0 x 0.65 = 0.65in <sup>3</sup>	

All performance parameters 1σ  
 Specification subject to change without notice  
 Rev. 1.6.21



Further Technical  
 Information Available:

[www.gladiatortechologies.com](http://www.gladiatortechologies.com)

**NON ITAR**  
 ECCN 7A103



**GLADIATOR**  
 TECHNOLOGIES

Gladiator Technologies  
 8022 Bracken PI SE  
 Snoqualmie, WA 98065, USA

425.363.4180  
[www.gladiatortechologies.com](http://www.gladiatortechologies.com)  
[sales@gladiatortechologies.com](mailto:sales@gladiatortechologies.com)