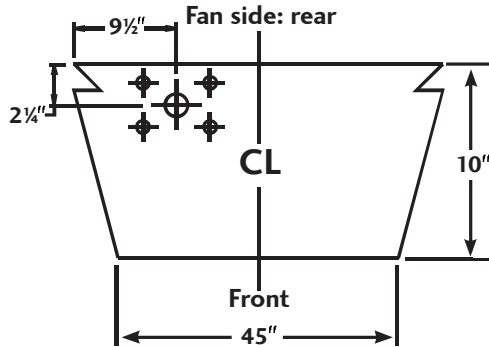
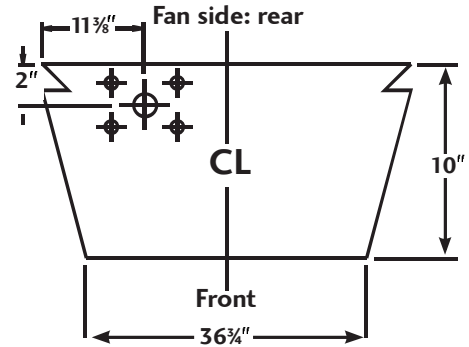


# Header Templates

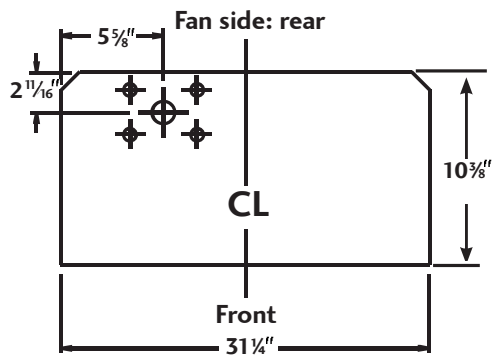
**AUTOCAR  
Template No. 1**



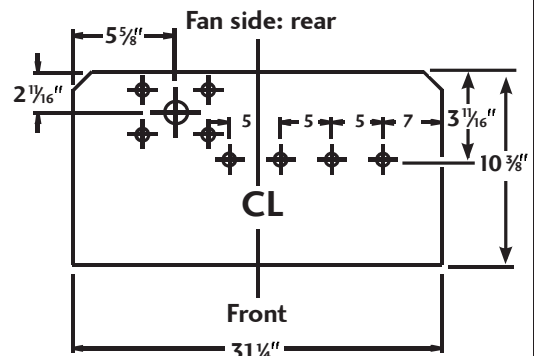
**AUTOCAR  
Template No. 2**



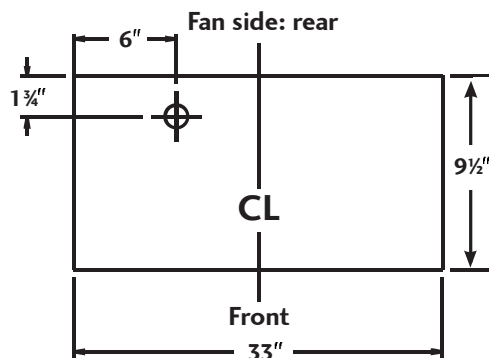
**Diamond Reo  
Template No. 3**



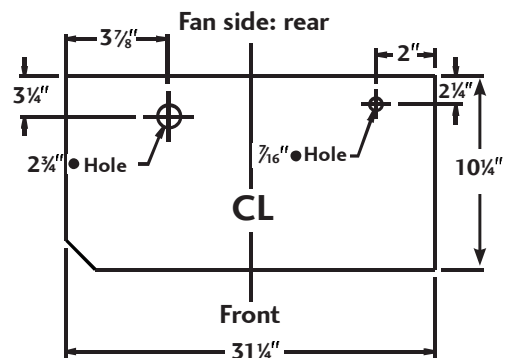
**Diamond Reo  
Template No. 3A**



**Ford  
Template No. 4**

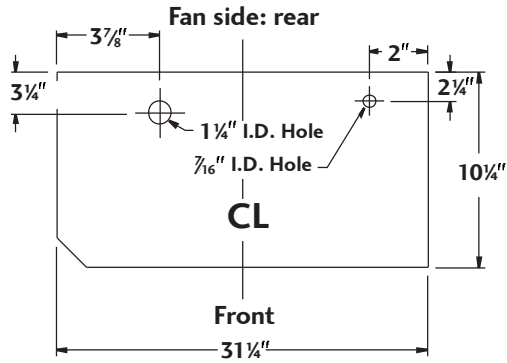


**Ford  
Template No. 5**

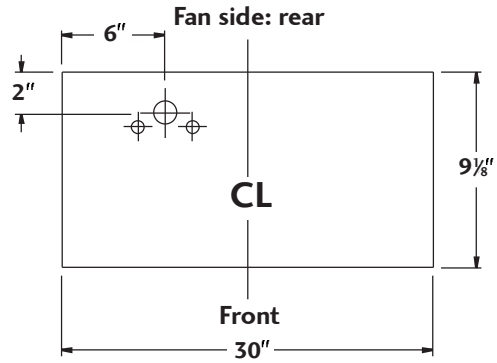


# Header Templates

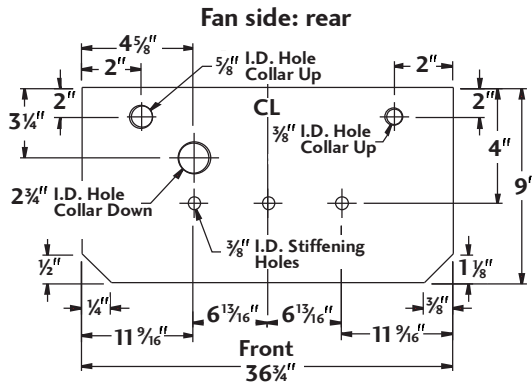
**Ford  
Template No. 5A**



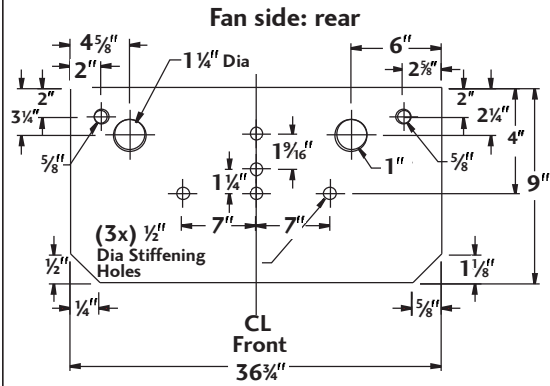
**Ford  
Template No. 6**



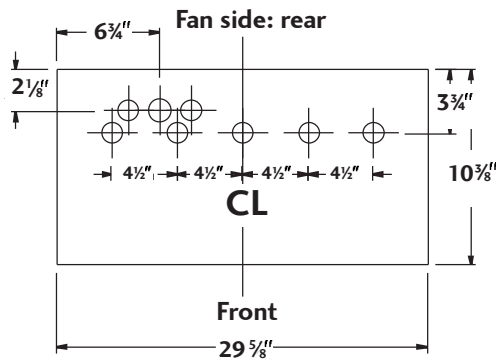
**Ford  
Template No. 6A**



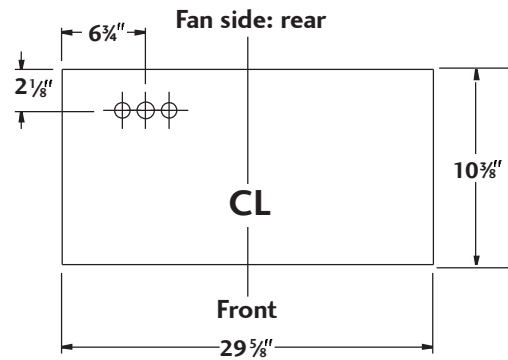
**Ford  
Template No. 6B**



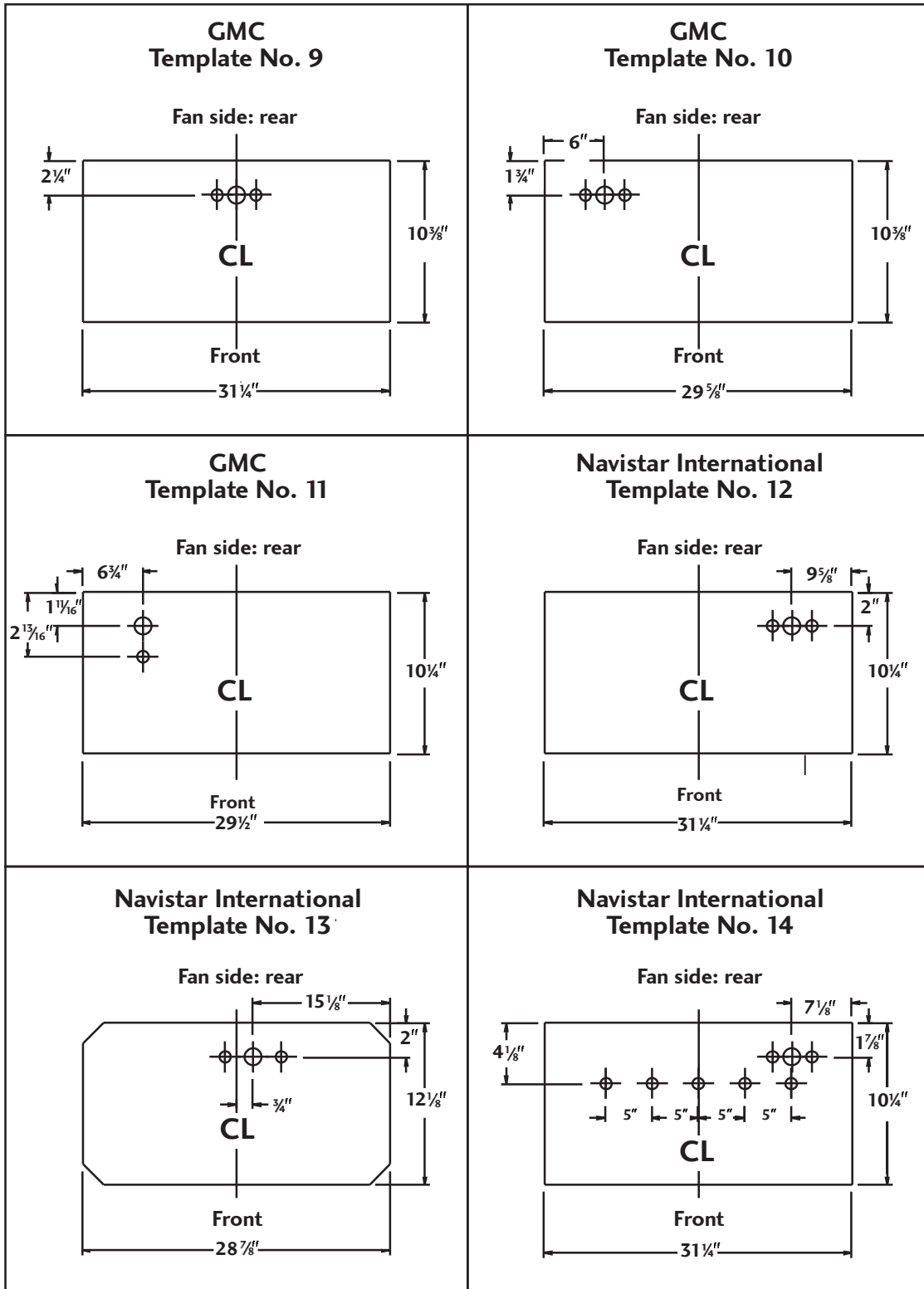
**GMC  
Template No. 7**



**GMC  
Template No. 8**

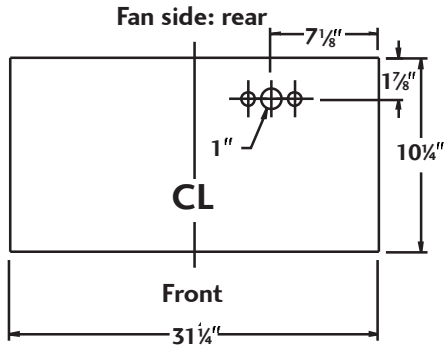


# Header Templates

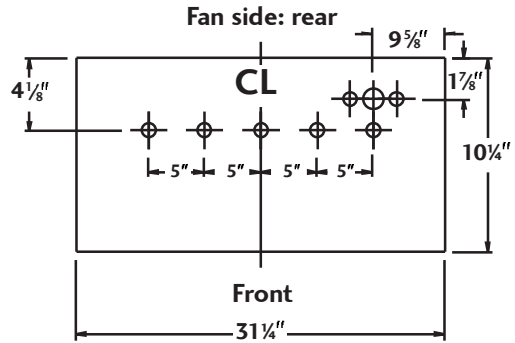


# Header Templates

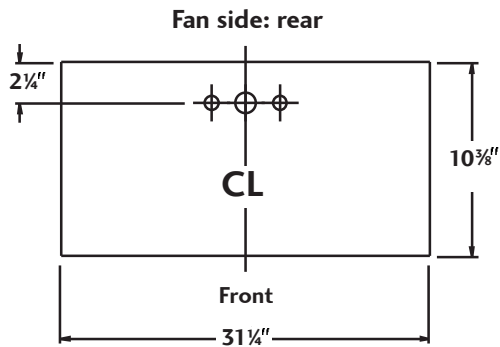
**Navistar International  
Template No. 14A**



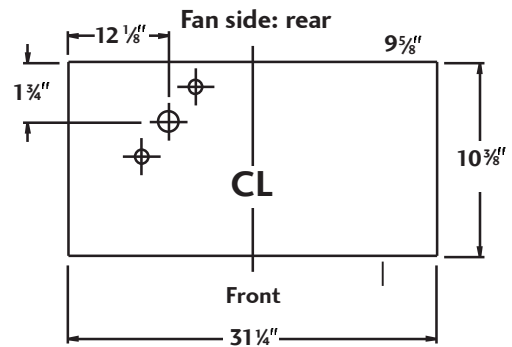
**Navistar International  
Template No. 15**



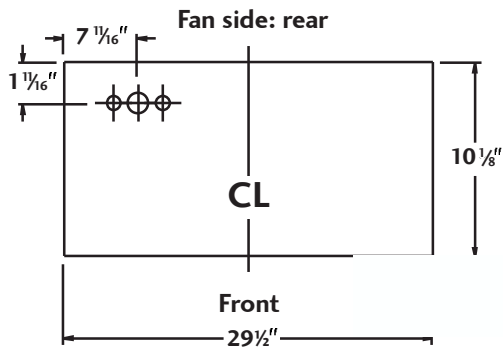
**Navistar International  
Template No. 16**



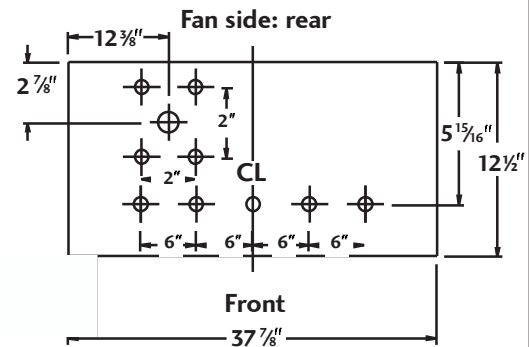
**Navistar International  
Template No. 17**



**Navistar International  
Template No. 18**

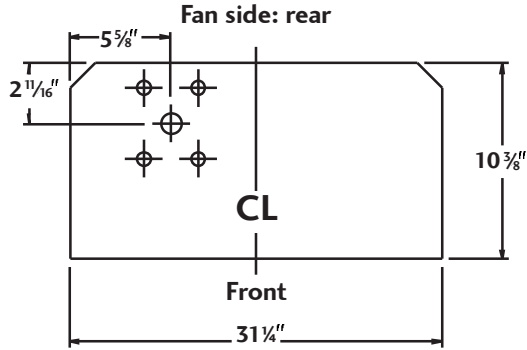


**Western Star; Volvo White GMC  
Template No. 19**

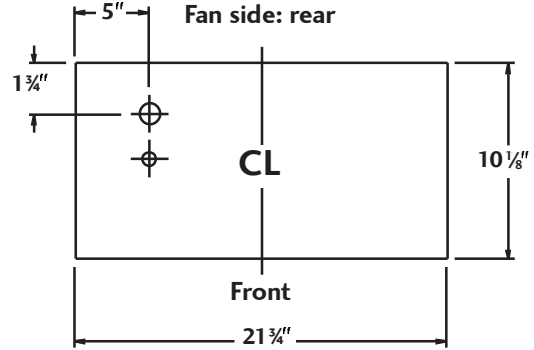


# Header Templates

**Western Star; Volvo White GMC  
Template No. 20**



**Western Star; Volvo White GMC  
Template No. 21**



**Western Star; Volvo White GMC  
Template No. 22**

