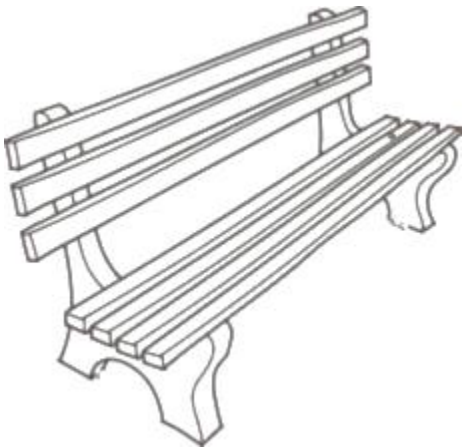
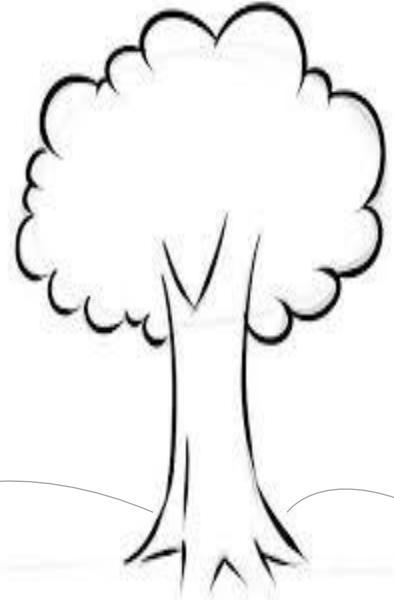
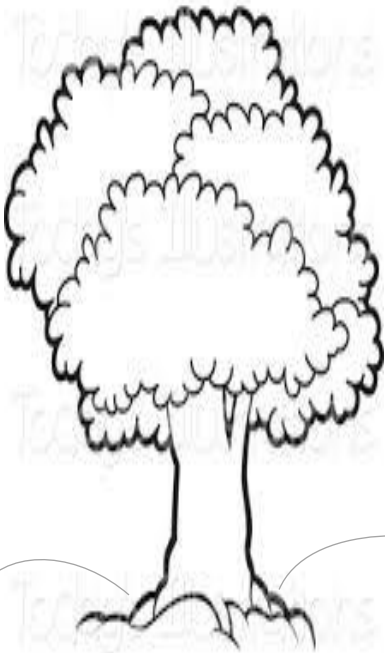
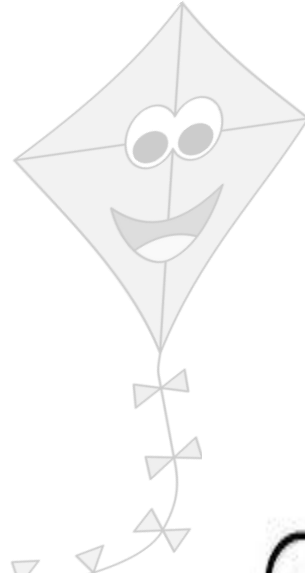


Name: \_\_\_\_\_ Age: \_\_\_\_\_ (5-8 only)  
Parents Name & Contact Number \_\_\_\_\_

Submit to:  
Waynesburg Borough  
90 E. High Street, Waynesburg PA 15370

Entry Deadline Friday July 23<sup>th</sup> by 4pm



Rain Day in  
the Parks