

Omegalume 4300

Linear Wallwash
120-277VAC

Project	
Type	Date

Lower wattage equals big energy savings. In addition, Orgatech light bars are rated at a minimum of 50,000 hours - 8 times more than systems using fluorescent lamps. With Orgatech, the added benefits include zero warm-up time and no reduction to lamp life from being turned on and off in cold environments.

Construction Extruded aluminum housing with polycarbonate lens.

Mounting Flat brackets, Sliding brackets or Custom brackets.

Electrical 120-277VAC. Single connection or daisy chain with input/output IP67 jumper cables.

Warranty 5 yr/50,000 hour limited warranty.

Environment Wet location - IP66. Operating Temperature - 40°F to 122°F.

Certifications UL Listed 1598.

4.5 Watts/Ft.	458 Lm/FT			
Optics	15°, 30°, 45°, 120°			
Length	12in	24in	36in	48in
Wattage	4.5W	8.7W	12.5W	16.4W
Max Run	128ft @ 120VAC / 295ft @ 277VAC			
Lumens	458	916	1,374	1,832
CRI	85			

Photometric Comparison - Typical Fc @ 10ft

Lens	120°	45°	30°	15°
Fc @ 10' (4.5W)	6fc	16fc	27fc	33fc

Series	Length	CCT	Voltage	Dimming	Optics	Finish	Options
4300							
4300	12 12" 24 24" 36 36" 48 48"	27 27K 30 30K 35 35K 40 40K 50 50K R Red G Green B Blue	U (120-277V)	ND Non-Dimming D1 0-10V 10% Dimming	15 15° 30 30° 45 45° 120 120°	SO Silver	FB Flat Bracket SB Swivel Bracket CU Custom Bracket N None"

Accessories:

Part No.	Description
OGL12SC3P	12" Starter Lead (non-dimming)
OGL24SC3P	24" Starter Lead (non-dimming)
OGL48SC3P	48" Starter Lead (non-dimming)
OGL12J3P	12" Jumper (non-dimming)
OGL24J3P	24" Jumper (non-dimming)
OGL47J3P	48" Jumper (non-dimming)
OGLEH	End Cap for 3 Pin Connectors

*longer cable lengths available per request.

Part No.	Description
OGL12SC5P	12" Starter Lead (dimming)
OGL24SC5P	24" Starter Lead (dimming)
OGL47SC5P	48" Starter Lead dimming)
OGL12J5P	12" Jumper (dimming)
OGL24J5P	24" Jumper (dimming)
OGL47J5P	48" Jumper (dimming)
OGLEL	End Cap for 5 Pin Connectors

Specifications are correct at the time of publishing, but may be modified or improved without notification. 12/20

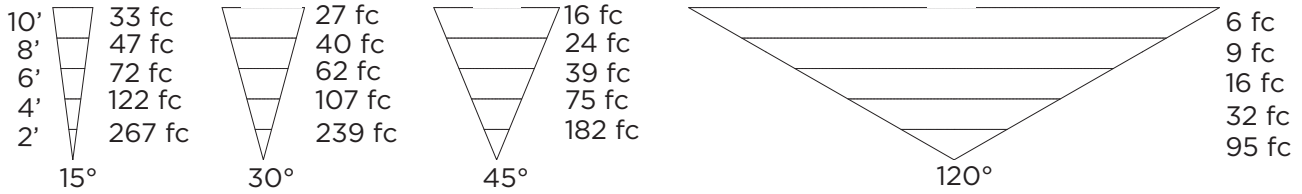


Omegalume 4300

Lensing and Photometrics

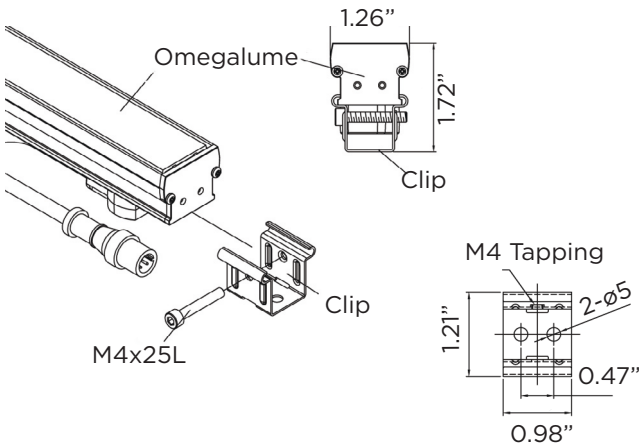
Energy efficient lens selection and application matching: for optimal energy efficiency and reliability.

Photometric Data - LS 4.5W/ft (based on 48" fixture).

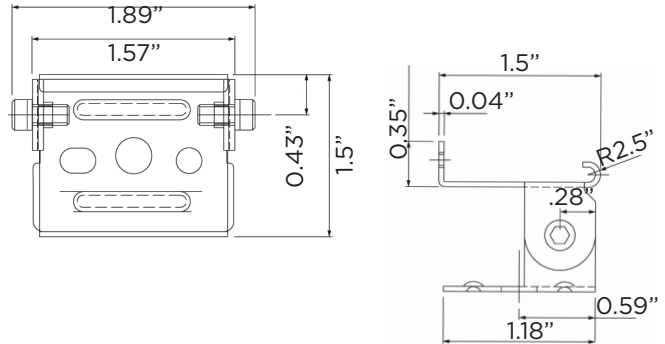


Mounting & Options

FB - Flat Bracket is a positioned bracket that is fixed to place using screws. Fixtures require two brackets.

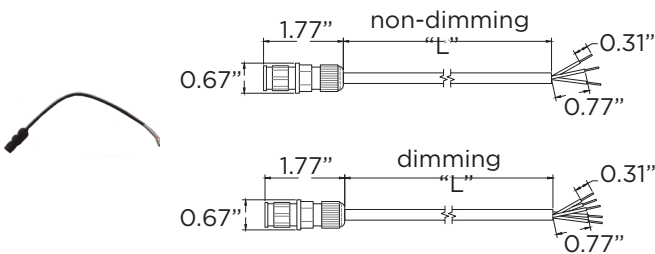


SB - Sliding Bracket is a heavy duty adjustable mounting bracket. Fixtures require two brackets.

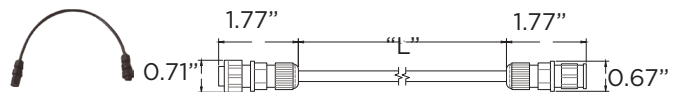


Accessories

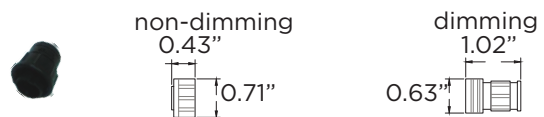
OGLxxSCxP - Starter Cables power fixtures with (xx) 12"-48" cable lengths and either (x) 3 pins for non-dimming or 5 pins for dimming.



OGLxxJxP - Jumper Cables interconnects fixtures (xx) 12"-48" jumper lengths and either (x) 3 pins for non-dimming or 5 pins for dimming.



OGLEH/OGLEL - Cable End Caps terminates the cables. OGLEH 3 pins for non-dimming or OGLEL 5 pins for dimming.



Specifications are correct at the time of publishing, but may be modified or improved without notification. 12/20

Orgatech, 205 W. Blueridge Avenue, Orange, CA 92865. 626.969.6820 www.orgatech.com

