

Omegalume 4000

Linear Wallwash
120-277VAC



Project	
Type	Date

These powerful high profile 120/277VAC LED linear fixtures are designed for even illumination of walls, ceilings or areas where low glare with no shadows are desired. Orgatech's four lens options enable grazing, long throw wallwashing, broad wallwashing, and floodlighting. Adjustable brackets enable accurate aiming. 120V input simplifies installation and connectible outputs enable long connected runs. Omegalume 4000 LEDs typically run 10° lower than competitors, offering greater stability and very long life in extreme climates.

Construction Extruded aluminum housing with polycarbonate lens.

Mounting Flat brackets, Sliding brackets or Custom brackets.

Electrical 120-277VAC. Single connection or daisy chain with input/output IP67 jumper cables.

Warranty 5 yr/50,000 hour limited warranty.

Environment Wet location - IP66. Operating Temperature - 40°F to 122°F.

Certifications UL Listed 1598.

8.8 Watts/Ft.	690 Lm/Ft			
Optics	15°, 30°, 45°, 120°			
Length	19in	28in	37in	46in
Wattage	13.7W	20W	26.8W	33.2W
Max Run	54ft @ 120VAC / 125ft @ 277VAC			
Lumens	1,092	1,493	1,973	2,453
CRI	83			

Photometric Comparison - Typical Fc @ 10ft

Lens	120°	45°	30°	15°
Fc @ 10' (8.8W)	18fc	33fc	63fc	79fc

Series	Length	CCT	Voltage	Dimming	Optics	Finish	Options
4000							
4000	19 19" 28 28" 37 37" 46 46"	27 27K 30 30K 35 35K 40 40K 50 50K	U (120-277V)	ND Non-Dimming D1 0-10V, 10% Dimming	15 15° 30 30° 45 45° 120 120°	SO Silver	FB Flat Bracket SB Sliding Bracket CU Custom Bracket N None

Accessories:

Part No.	Description
OGL12SC3P	12" Starter Lead (non-dimming)
OGL24SC3P	24" Starter Lead (non-dimming)
OGL48SC3P	48" Starter Lead (non-dimming)
OGL12J3P	12" Jumper (non-dimming)
OGL24J3P	24" Jumper (non-dimming)
OGL47J3P	48" Jumper (non-dimming)
OGLEH	End Cap for 3 Pin Connectors

Part No.	Description
OGL12SC5P	12" Starter Lead (dimming)
OGL24SC5P	24" Starter Lead (dimming)
OGL47SC5P	48" Starter Lead (dimming)
OGL12J5P	12" Jumper (dimming)
OGL24J5P	24" Jumper (dimming)
OGL47J5P	48" Jumper (dimming)
OGLEL	End Cap for 5 Pin Connectors

*longer cable lengths available per request.

Specifications are correct at the time of publishing, but may be modified or improved without notification. 11/20

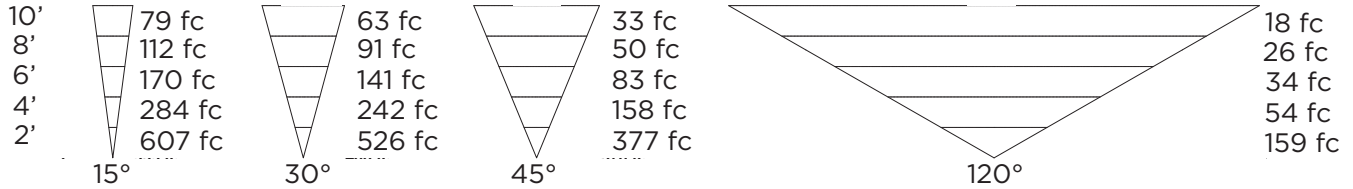


Omegalume 4000

Lensing & Photometrics

Energy efficient lens selection and application matching: for optimal energy efficiency and reliability.

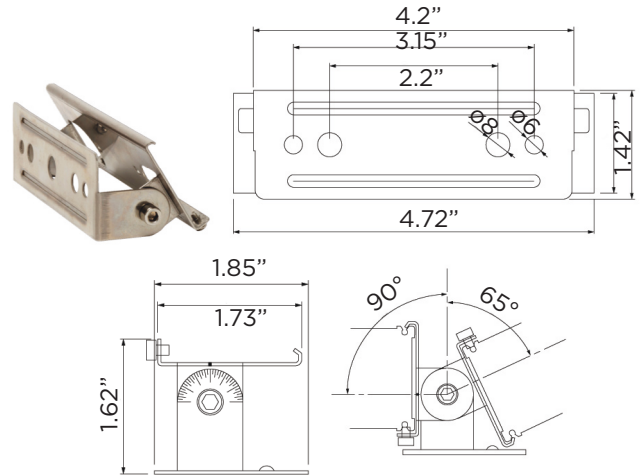
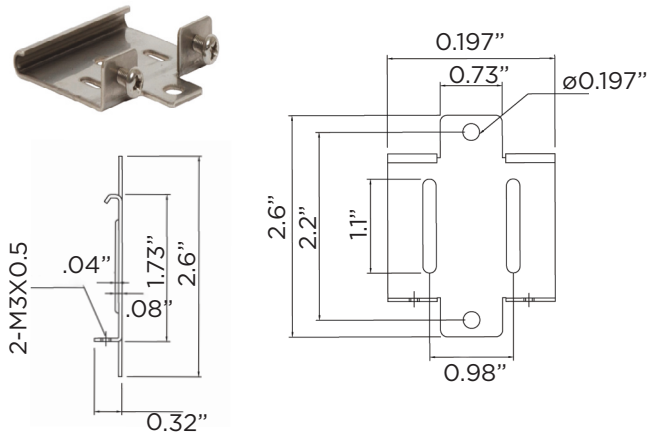
Photometric Data - LH 8.8W/ft (based off 46" fixture).



Mounting & Options

FB - Flat Bracket is a positioned bracket that is fixed to place using screws. Fixtures require two brackets.

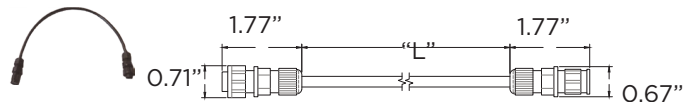
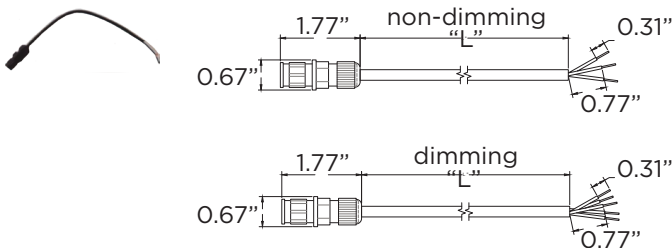
SB - Sliding Bracket is a heavy duty adjustable mounting bracket. Fixtures require two brackets.



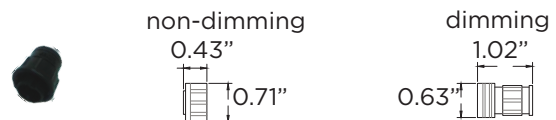
Accessories

OGLxxSCxP - Starter Cables power fixtures with (xx) 12"-48" cable lengths and either (x) 3 pins for non-dimming or 5 pins for dimming.

OGLxxJxP - Jumper Cables interconnects fixtures (xx) 12"-48" jumper lengths and either (x) 3 pins for non-dimming or 5 pins for dimming.



OGLEH/OGLEL- Cable End Caps terminates the cables. OGLEH 3 pins for non-dimming or OGLEL 5 pins for dimming.



Specifications are correct at the time of publishing, but may be modified or improved without notification. 11/20

