

Omegalume 4000

RGB Linear Wallwash
120/277VAC

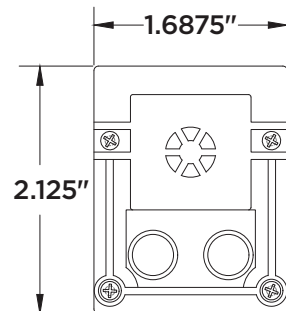


Project	
Type	Date

Omegalume RGB 4000 are designed for high brightness and very long throw, with superfine color tuning control using DMX signals or Casambi wireless bluetooth. Providing pin-point accurate lighting distribution, Orgatech's four lensing options enable grazing, wallwashing, long throw wallwashing, and floodlighting. Capable of providing even color wash without fade to 20ft. and longer. Superior design maintains LED temperature at 54°C ensuring cool running in extreme climatic conditions, guaranteeing long LED lifetime and flawless performance. At only 2" x 1.625", these low profile fixtures exert minimum architectural impact and are available in four lengths.

Super bright LED fixtures should be aimed away from the casual visual field to avoid glare and visual discomfort.

120/277VAC				
Length	19 in.	28 in.	37 in.	46 in.
Color	RGB			
Optics	30°x60°/15°/20°/30°/45°/120°			
Voltage	120/277VAC			
Watts/ft	14W			
Wattage	22W	32W	48W	54W
Max Run	36ft @ 120v; 89ft @ 277V			



Adjustable Swivel Mounting Bracket



Flat Mounting Bracket



Construction

Low profile extruded aluminum housing with non corrosive connectors and mounting hardware. Sealed optical glass lens.

Warranty

5 year/50,000 hour limited warranty.

Mounting

Sliding stainless steel adjustable brackets mount anywhere along the fixture. Extended arms or special brackets are available to specification.

Environment

Wet Locations.

Certifications

UL Listed. IP66 for wet locations. Certified to CSA Standard. Tested in accordance with IESNA LM-79 and LM-80 Standard.

ORDER GUIDE

4000				U				
Series	Length	Addressing	CCT	Voltage	Controls	Optics	Finish	Options
4000	19 19"	S Single	RGB RGB	U 120/277VAC	D DMX	30x60 30°x60°	SO Silver	FB Flat Bracket
	28 28"	M Multiple			O Other	15 15°		SB Sliding Swivel Bracket
	37 37"					20 20°		CU Custom Bracket (specify length)
	46 46"					30 30°		N None
						45 45°		
						120 120°		

Example: 4000-19-S-RGB-U-D-30-SO-SB

ACCESSORIES

Part No.	Description
Starter Cable - Connect Fixture to Power Supply	
OGL12SC4P	12" starter cable 120V DMX
OGL24SC4P	24" starter cable 120V DMX
OGL48SC4P	48" starter cable 120V DMX
Jumper Cable - Connect 2 fixtures	
OGL12J4P	12" Jumper Cable 120V DMX
OGL24J4P	24" Jumper Cable 120V DMX
OGL48J4P	48" Jumper Cable 120V DMX
Endcap - Put on the wirelead at the end of a run	
OGLEH	EndCap (120V or 24V) HIGH LTW end cap



Specifications are correct at the time of publishing, but may be modified or improved in accordance with current electrical, safety or manufacturing methods without notification.



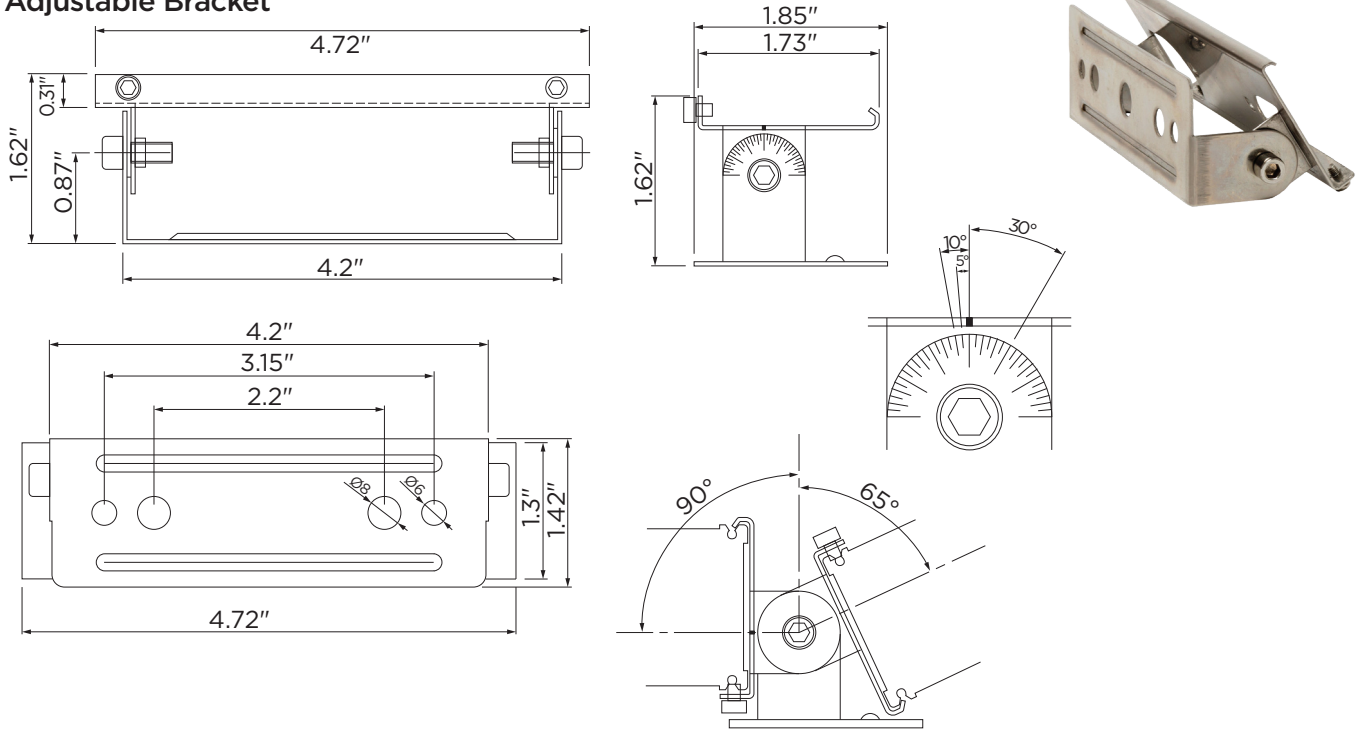
Omegalume 4000

Mounting Brackets

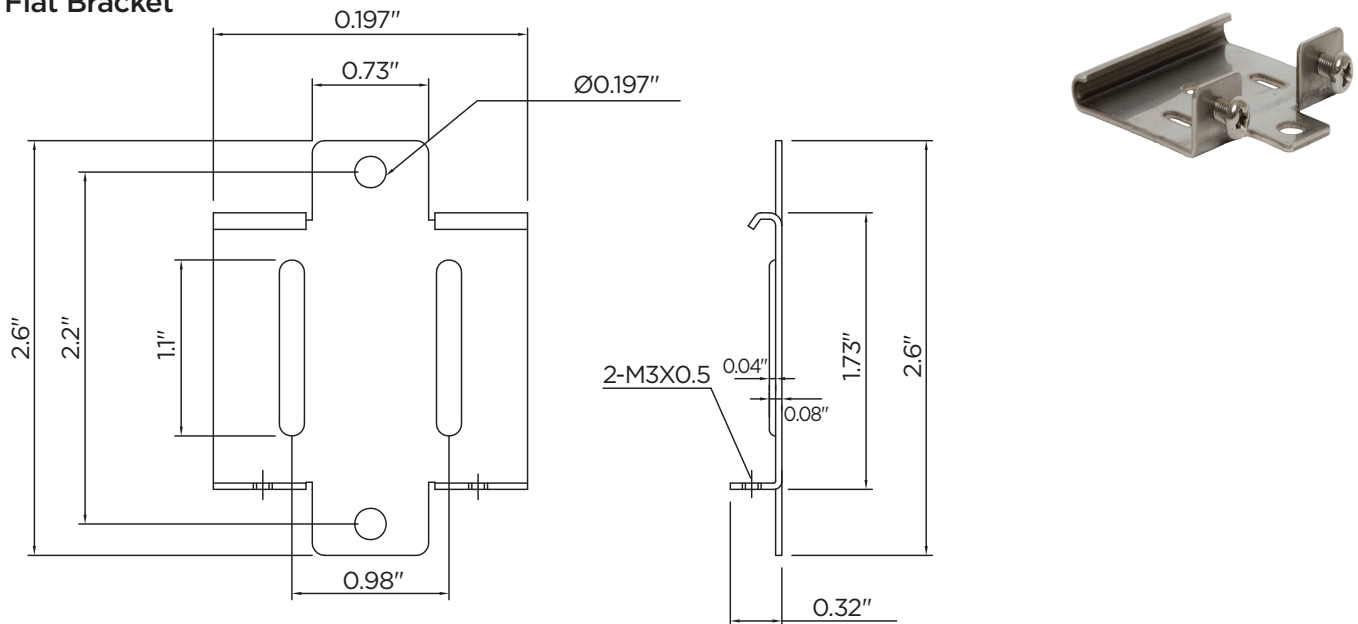


Project	
Type	Date

Adjustable Bracket



Flat Bracket



Specifications are correct at the time of publishing, but may be modified or improved in accordance with current electrical, safety or manufacturing methods without notification.

