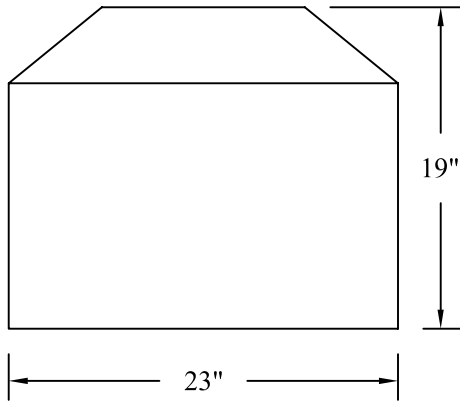
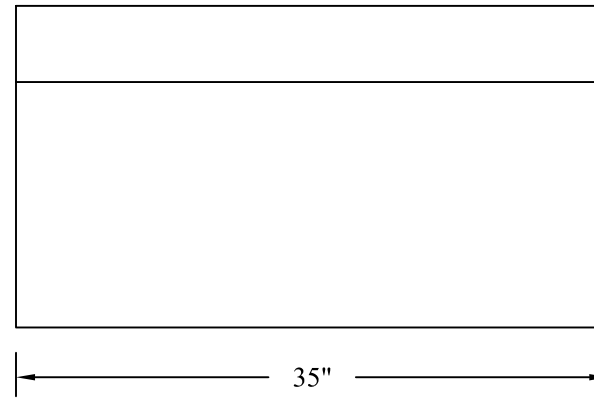


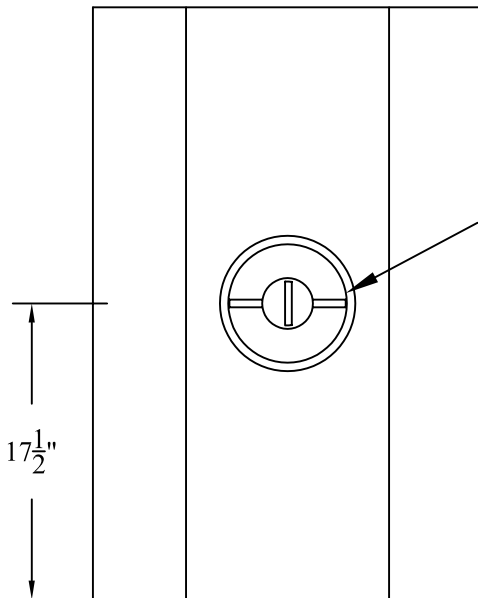
HDLPE POLYETHYLENE STORAGE TANK  
 LOAF TANK MODEL No. RK50-L/B



END ELEVATION



SIDE ELEVATION

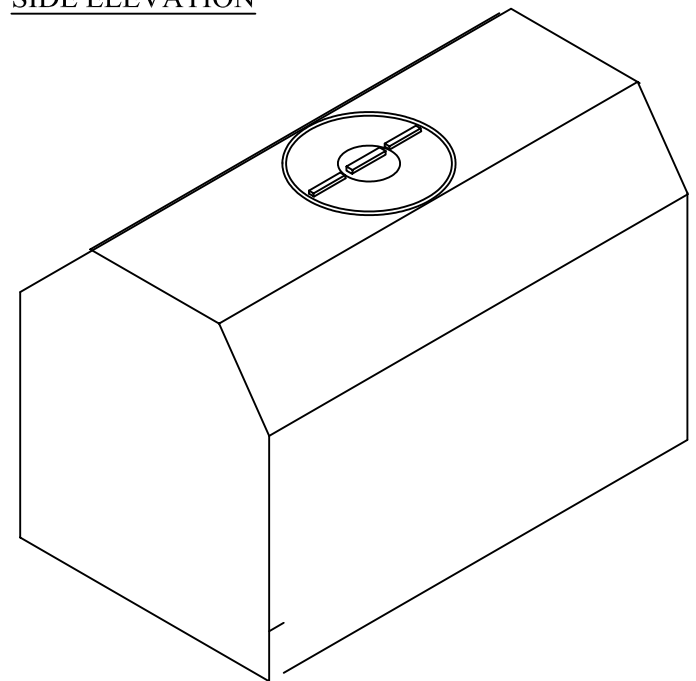


PLAN

8"Ø THREADED LID  
 VENTED

CAPACITY:

IMP. GAL.- 50  
 US. GAL.- 60  
 LITRES.- 227



**Canwest Tanks &  
 Ecological Systems Ltd.**

11975 Old Yale Road Tel.: (604) 580-3030  
 Surrey, B.C. V3V 3X4 Fax: (604) 580-1171  
 Canada E-Mail: canwest@direct.ca

This drawing is loaned "as is" for purpose of information only and is the sole property of Canwest Tanks & Ecological Systems Ltd.

HDLPE POLYETHYLENE  
 STORAGE TANK  
 MODEL RK50, LOAF TANK

|                 |       |                   |    |
|-----------------|-------|-------------------|----|
| Dwg. No.        |       | Drawn:<br>Leif J. |    |
| Scale:<br>1"=1' | Date: | Rev.              | of |