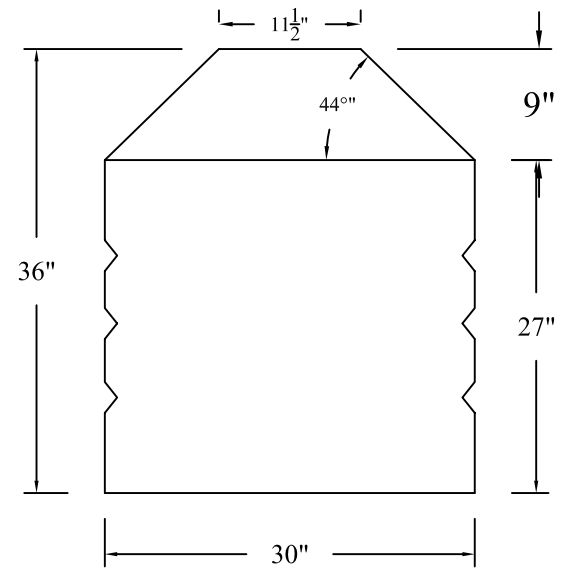
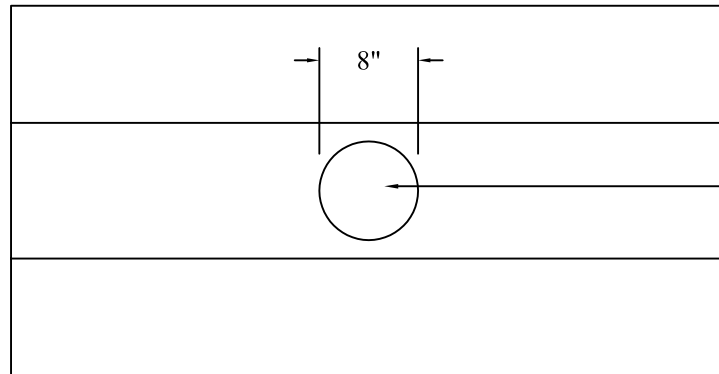


SIDE VIEW



END VIEW



TOP VIEW

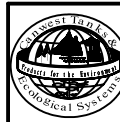
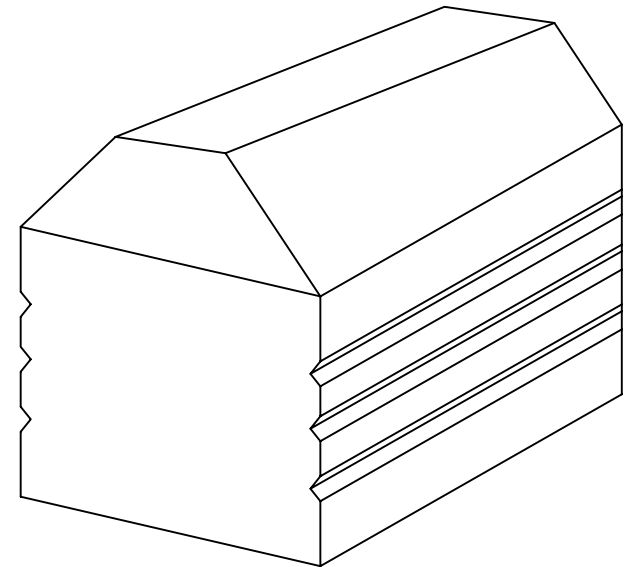
8"Ø VENTED POLY LID

CAPACITY:

IMP. GAL.= 210

US. GAL.= 252

LITERS = 954.7



**Canwest Tanks &
Ecological Systems Ltd.**

11975 Old Yale Road Tel.: (604) 580-3030
Surrey, B.C. V3V 3X4 Fax: (604) 580-1171
Canada E-Mail: canwest@direct.ca

This drawing is loaned "as is" for purpose of information only and is the sole property of Canwest Tanks & Ecological Systems Ltd.

HDLPE POLYETHYLENE TANK

LOAF TANK MODEL RK210

Dwg. No.

Scale:
N.T.S.

Date:

Drawn:

Leif J.

Rev.

of