

HDLPE POLYETHYLENE STORAGE TANK

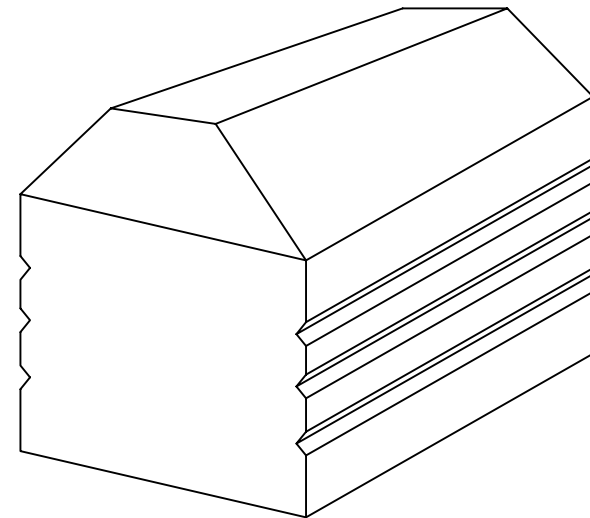
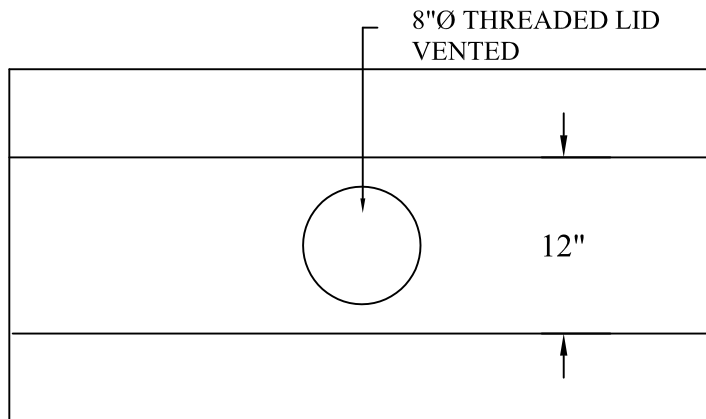
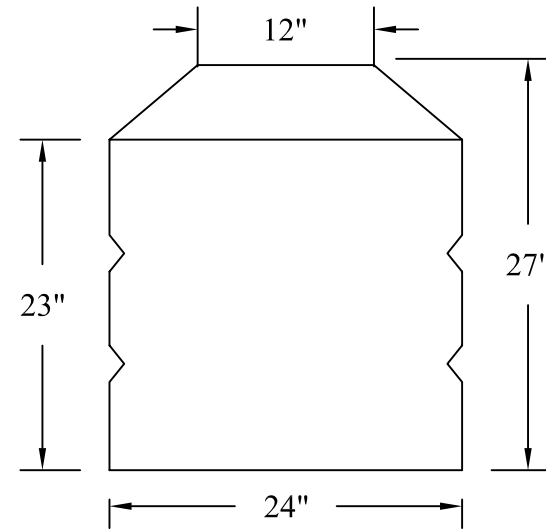
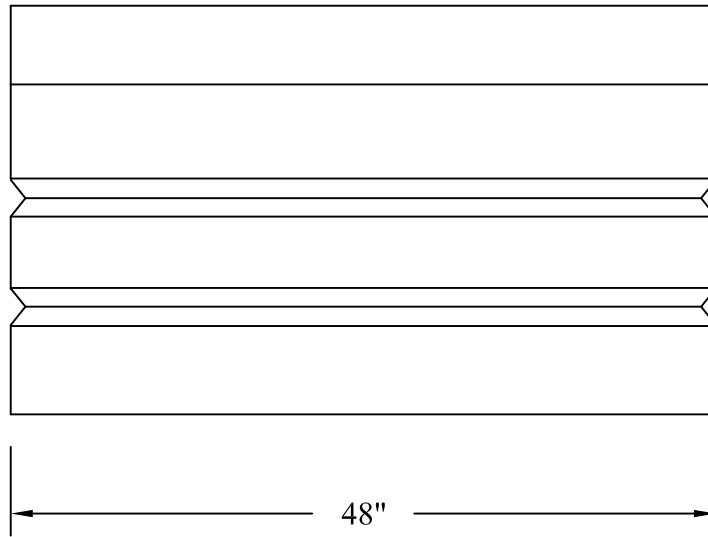
LOAF TANK MODEL No. RK100

CAPACITY:

IMP. GAL.- 100

US. GAL.- 120

LITERS - 454.6



**Canwest Tanks &  
Ecological Systems Ltd.**

11975 Old Yale Road Tel.: (604) 580-3030  
Surrey, B.C. V3V 3X4 Fax: (604) 580-1171  
Canada E-Mail: canwest@direct.ca

This drawing is loaned "as is" for purpose of information only and is the sole property of Canwest Tanks & Ecological Systems Ltd.

HDLPE POLYETHYLENE  
LOAF TANK MODEL No. RK100

Dwg. No.		Drawn:	of
Scale:		Leif J.	
N.T.S.		Date:	Rev.