



BF/MBF SERIES

Band Clamp & Swing Bolt Bag Housings
Data Sheet

- Band Clamp or Swing Bolt Design.
- 304 or 316 Stainless Steel.
- Electropolish standard on all models.
- Single and Multi-Bag Filter Housing Options.
- Positive O-Ring Seal.
- 150 psi Pressure Rating.
- Accepts #1 (7" x 16-1.2") or #2 (7" x 32") Filter Bags.

HYDROSCIENTIFIC™ BF/MBF SERIES BAG FILTER HOUSINGS are ideal for most commercial/industrial applications. Commonly used for pre-filtration for Reverse Osmosis (RO) systems, food service, car washes, agriculture and many other uses.

HYDROSCIENTIFIC™ BF/MBF SERIES BAG FILTER HOUSINGS are made with high grade 304 or 316 Stainless Steel and easily accept most standard filter bags. With a wide range of models, these housings can easily meet most application requirements.



BF SERIES - 304SS AND 316SS BAND CLAMP SINGLE BAG HOUSING (#1, #2, #3 AND #4) SPECIFICATIONS

Part Number	Description	Ports (In/Out)	Drains (FNPT)	Vents (FNPT)	Gauge Ports	Max. Flow (gpm)	Max. Flow (lpm)	Max. Flow (m ³ /hr)
BF1-304-2NBC	HydroScientific™ BC Single Bag Housing, 1 x #1, 304SS, AL, EP	2" FNPT	-	1/4" FNPT	1/4" FNPT	90	340	20
BF2-304-2NBC	HydroScientific™ BC Single Bag Housing, 1 x #2, 304SS, AL, EP	2" FNPT	-	1/4" FNPT	1/4" FNPT	200	757	45
BF3-304-1NBC	HydroScientific™ BC Single Bag Housing, 1 x #3, 304SS, AL, EP	1" FNPT	-	1/4" FNPT	1/4" FNPT	20	76	4.5
BF4-304-1NBC	HydroScientific™ BC Single Bag Housing, 1 x #4, 304SS, AL, EP	1" FNPT	-	1/4" FNPT	1/4" FNPT	45	170	10
BF1-316-2NBC	HydroScientific™ BC Single Bag Housing, 1 x #1, 316SS, AL, EP	2" FNPT	-	1/4" FNPT	1/4" FNPT	90	340	20
BF2-316-2NBC	HydroScientific™ BC Single Bag Housing, 1 x #2, 316SS, AL, EP	2" FNPT	-	1/4" FNPT	1/4" FNPT	200	757	45
BF3-316-1NBC	HydroScientific™ BC Single Bag Housing, 1 x #3, 316SS, AL, EP	1" FNPT	-	1/4" FNPT	1/4" FNPT	20	76	4.5
BF4-316-1NBC	HydroScientific™ BC Single Bag Housing, 1 x #4, 316SS, AL, EP	1" FNPT	-	1/4" FNPT	1/4" FNPT	45	170	10

BF SERIES - 304SS AND 316SS SWING BOLT SINGLE BAG HOUSING (#1 AND #2) SPECIFICATIONS

Part Number	Description	Ports (In/Out)	Drains (FNPT)	Vents (FNPT)	Gauge Ports	Max. Flow (gpm)	Max. Flow (lpm)	Max. Flow (m ³ /hr)
BF1-304-2N	HydroScientific™ SB Single Bag Housing, 1 x #1, 304SS, AL, EP	2" FNPT	-	1/4" FNPT	1/4" FNPT	90	340	20
BF2-304-2N	HydroScientific™ SB Single Bag Housing, 1 x #2, 304SS, AL, EP	2" FNPT	-	1/4" FNPT	1/4" FNPT	200	757	45
BF1-316-2N	HydroScientific™ SB Single Bag Housing, 1 x #1, 316SS, AL, EP	2" FNPT	-	1/4" FNPT	1/4" FNPT	90	340	20
BF2-316-2N	HydroScientific™ SB Single Bag Housing, 1 x #2, 316SS, AL, EP	2" FNPT	-	1/4" FNPT	1/4" FNPT	200	757	45

BF SERIES - CARBON STEEL SWING BOLT SINGLE BAG HOUSING (#1 AND #2) SPECIFICATIONS

Part Number	Description	Ports (In/Out)	Drains (FNPT)	Vents (FNPT)	Gauge Ports	Max. Flow (gpm)	Max. Flow (lpm)	Max. Flow (m ³ /hr)
BF1-C-2N	HydroScientific™ SB Single Bag Housing, 1 x #1, CS, AL, EP	2" FNPT	-	1/4" FNPT	1/4" FNPT	90	340	20
BF2-C-2N	HydroScientific™ SB Single Bag Housing, 1 x #2, CS, AL, EP	2" FNPT	-	1/4" FNPT	1/4" FNPT	200	757	45

BC = BAND CLAMP, SB = SWING BOLT, CS = CARBON STEEL, AL = ADJUSTABLE LEGS, EP = ELECTROPOLISH

MBF SERIES - 304SS SWING BOLT MULTI BAG HOUSING SPECIFICATIONS

Part Number	Description	Ports (In/Out)	Drains (FNPT)	Vents (FNPT)	Gauge Ports (FNPT)	Swing Arm	Max. Flow (gpm)	Max. Flow (lpm)	Max. Flow (m ³ /hr)
MBF2-304-3F	HydroScientific™ SB Multi Bag Housing, 2 x #2, ML, EP	3" FL	2"	1/2"	1/2"	✓	396	1499	90
MBF3-304-4F	HydroScientific™ SB Multi Bag Housing, 3 x #2, ML, EP	4" FL	2"	1/2"	1/2"	✓	594	2249	135
MBF4-304-4F	HydroScientific™ SB Multi Bag Housing, 4 x #2, ML, EP	4" FL	2"	1/2"	1/2"	✓	793	3002	180
MBF5-304-6F	HydroScientific™ SB Multi Bag Housing, 5 x #2, ML, EP	6" FL	2"	1/2"	1/2"	✓	991	3751	225
MBF6-304-6F	HydroScientific™ SB Multi Bag Housing, 6 x #2, ML, EP	6" FL	2"	1/2"	1/2"	✓	1189	4501	270
MBF8-304-8F	HydroScientific™ SB Multi Bag Housing, 8 x #2, ML, EP	8" FL	2"	1/2"	1/2"	✓	1585	6000	360
MBF12-304-8F	HydroScientific™ SB Multi Bag Housing, 12 x #2, ML, EP	8" FL	2"	1/2"	1/2"	✓	2378	9002	540
MBF12-304-10F	HydroScientific™ SB Multi Bag Housing, 12 x #2, ML, EP	10" FL	2"	1/2"	1/2"	✓	2378	9002	540

MBF SERIES - 316SS SWING BOLT MULTI BAG HOUSING SPECIFICATIONS

Part Number	Description	Ports (In/Out)	Drains (FNPT)	Vents (FNPT)	Gauge Ports (FNPT)	Swing Arm	Max. Flow (gpm)	Max. Flow (lpm)	Max. Flow (m ³ /hr)
MBF2-316-3F	HydroScientific™ SB Multi Bag Housing, 2 x #2, ML, EP	3" FL	2"	1/2"	1/2"	✓	396	1499	90
MBF3-316-4F	HydroScientific™ SB Multi Bag Housing, 3 x #2, ML, EP	4" FL	2"	1/2"	1/2"	✓	594	2249	135
MBF4-316-4F	HydroScientific™ SB Multi Bag Housing, 4 x #2, ML, EP	4" FL	2"	1/2"	1/2"	✓	793	3002	180
MBF5-316-6F	HydroScientific™ SB Multi Bag Housing, 5 x #2, ML, EP	6" FL	2"	1/2"	1/2"	✓	991	3751	225
MBF6-316-6F	HydroScientific™ SB Multi Bag Housing, 6 x #2, ML, EP	6" FL	2"	1/2"	1/2"	✓	1189	4501	270
MBF8-316-8F	HydroScientific™ SB Multi Bag Housing, 8 x #2, ML, EP	8" FL	2"	1/2"	1/2"	✓	1585	6000	360
MBF12-316-8F	HydroScientific™ SB Multi Bag Housing, 12 x #2, ML, EP	8" FL	2"	1/2"	1/2"	✓	2378	9002	540
MBF12-316-10F	HydroScientific™ SB Multi Bag Housing, 12 x #2, ML, EP	10" FL	2"	1/2"	1/2"	✓	2378	9002	540

SB = SWING BOLT, ML = LEGS, EP = ELECTROPOLISH, FL = FLANGE

ADDITIONAL FEATURES

Finish: Electropolished and Bead Blasted Standard
 Drains: Clean and Dirty standard on all models
 Gauge Ports: Clean and Dirty standard on all models

APPLICATIONS

- Liquid Process
- Food and Beverage
- Chemicals
- Oil / Gas Industry
- Coolants
- Inks / Coatings / Paints
- Wastewater

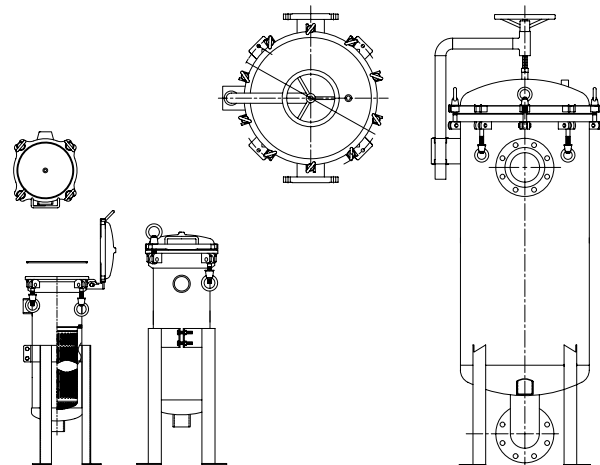
MATERIALS OF CONSTRUCTION

Housing Shell: 304 or 316 stainless steel
 Band Clamp Lid Closure: 304 or 316 stainless steel
 Swing Bolt Lid Closure: Zinc Plated Steel
 Vent and Drain Plugs: 304 or 316 stainless steel
 Heavy Duty Mounting Legs: 304 or 316 stainless steel
 O-Ring / Gasket: EPDM - FDA Grade
 (Viton, Silicone and EPR Options)

Copyright © 2020 HydroScientific., All Rights Reserved.



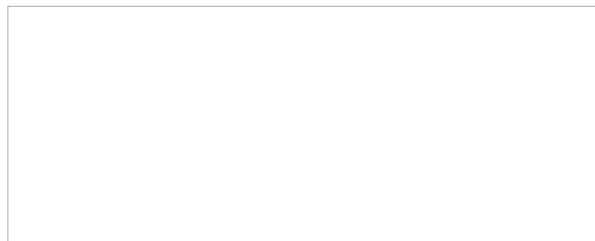
P.O. Box 2235 Chino Hills, CA 91709 | USA
 sales@hydronixwater.com



OPERATIONAL DATA

Max. Working Pressure: 150 psi at 250 °F (10.3 bar at 121 °C) - Band Clamp
 150 psi at 300 °F (10.3 bar at 149 °C) - Swing Bolt
 Max. Operating Temperature: 250 °F (121 °C) - Band Clamp
 300 °F (149 °C) - Swing Bolt

DISTRIBUTED BY:



LIT-BF-MBF-DS 05/12/20