

WORD PROBLEMS

① Tom makes \$4.25/hr. How much does he make in 8 hours

A \$24

B \$44

C \$52

D \$34 ✓

② Jack paid 10 cents for one candy bar. At this rate, how much will he pay for two dozens bars?

A \$3.40

B \$2.40 ✓

C \$2.10

D None of these

③ A piece $1\frac{1}{2}$ feet long is off a board $4\frac{1}{2}$ feet long. How long is the rest of the board?

A 2 feet

B $2\frac{1}{2}$ feet

C 3 feet ✓

D none of these

④ The builder built 8 apartment buildings. Each building has 6 apartments. How many apartments are there all together?

A 14 apartments

B 48 apartments ✓

C 40 apartments

D None of these

Numerical Examples

Addition:

$$\begin{array}{r} 8 \\ + 4 \\ \hline \end{array}$$

- A. 11
- B. 12
- C. 14 ✓
- D. None of these

$$\begin{array}{r} 26 \\ 19 \\ 12 \\ \hline \end{array}$$

- A. 46
- B. 47
- C. 57 ✓
- D. None of these

Subtraction:

$$\begin{array}{r} 9 \\ - 4 \\ \hline \end{array}$$

- A. 5 ✓
- B. 4
- C. 4
- D. None of these

$$\begin{array}{r} 1942 \\ - 854 \\ \hline \end{array}$$

- A. 1168
- B. 1088 ✓
- C. 902
- D. None of these

Multiplication:

$$\begin{array}{r} 6 \\ \times 3 \\ \hline \end{array}$$

- A. 9
- B. 12
- C. 18 ✓
- D. None of these

$$\begin{array}{r} 74 \\ \times 3 \\ \hline \end{array}$$

- A. 122
- B. 212
- C. 222 ✓
- D. None of these

Division:

$$6 \overline{) 30}$$

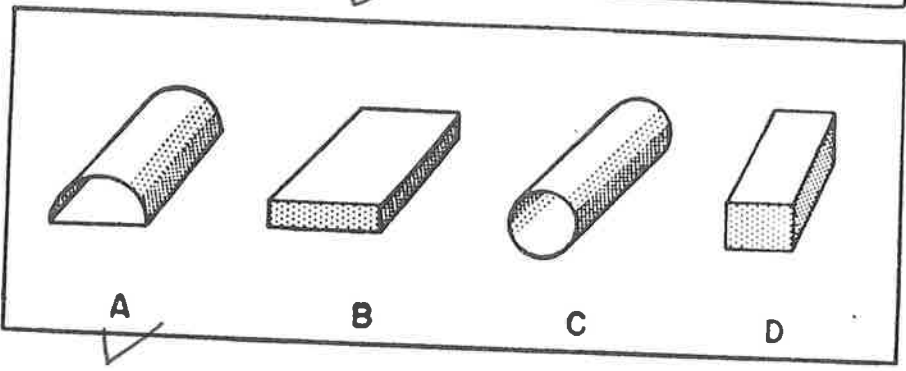
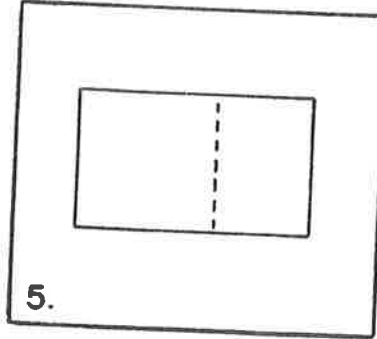
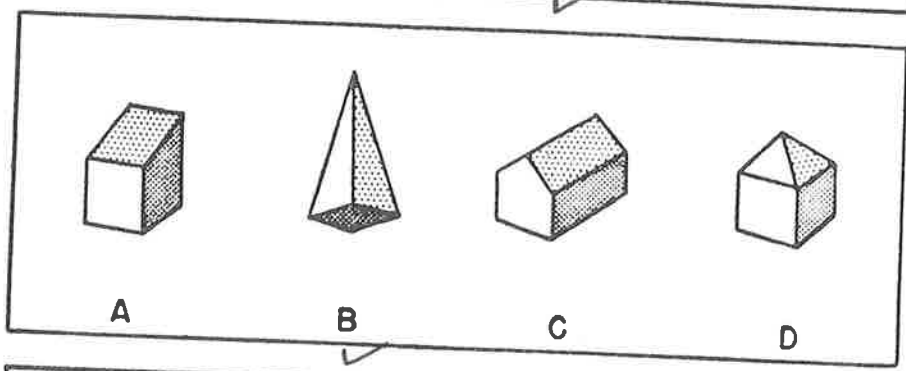
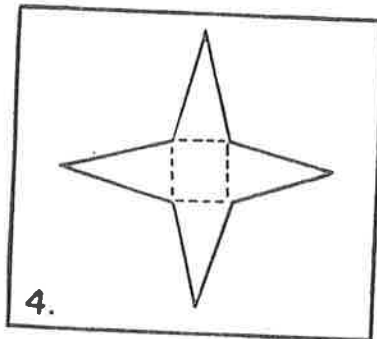
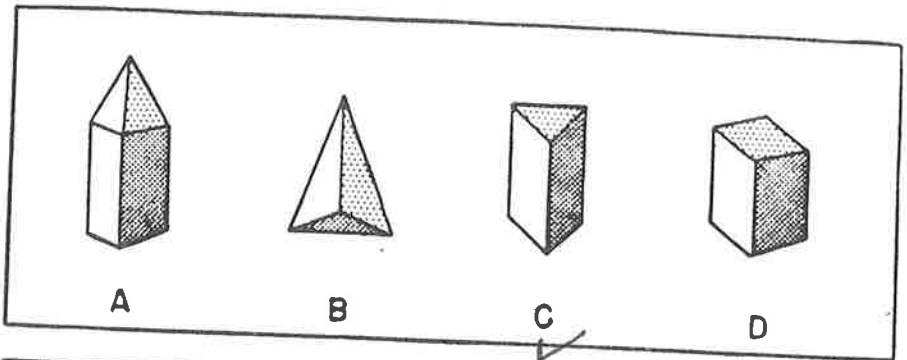
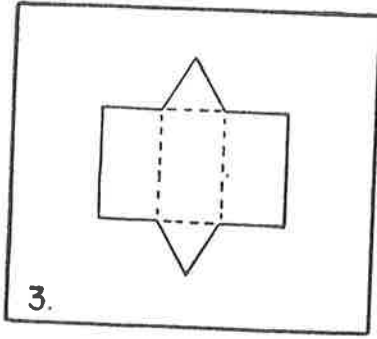
- A. 4
- B. 5 ✓
- C. 6
- D. None of these

$$4 \overline{) 244}$$

- A. 64
- B. 40
- C. 61 ✓
- D. None of these

Manual Dexterity

- Active / fast hand movements
 - Video games



On the left is a drawing which represents a flat piece of metal. The dotted line shows where the metal is to be bent. Only one object can be made from the flat piece of metal by either bending, rolling or both. Select the object.

