



VersaPour  
Self-Serve Lever (SSL)

The **VersaPour** valve is built with the highest quality materials and proven technology to provide our customers with consistent drink quality and reliability.

### Features

- Lowest “Life Cost” of operation available
- Simple design gives high reliability
- 3 oz/second flow rates
- Widest range of ratio control (3.0-9.0)

### Accessories and Options

- Nozzle
- Syrup Separator Nozzle
- Front Water Button
- Diffuser
- Bare Valve

Certified by these agencies:



Model  
100



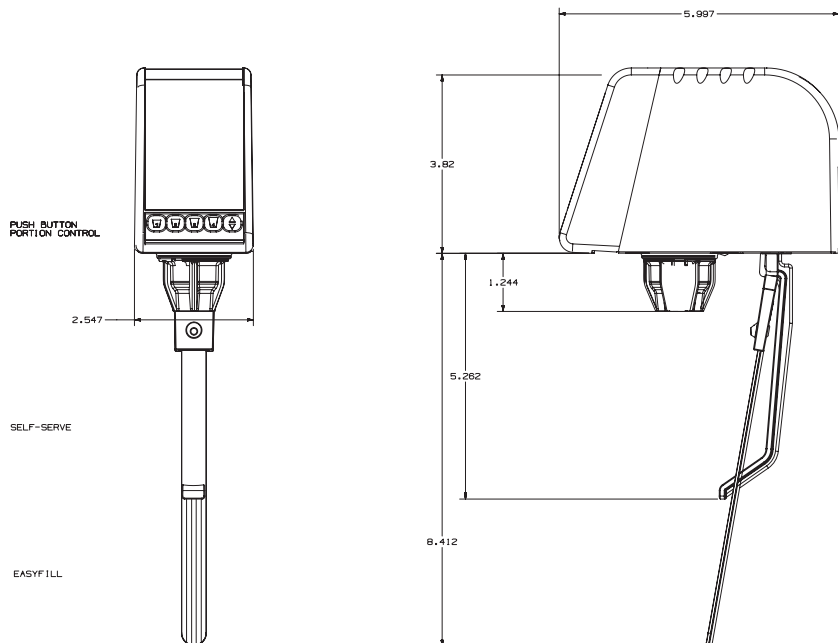
#### CUSTOMER SERVICE

Should you require more information about our products, please do not hesitate to contact our customer service team at [custserv@lancerworldwide.com](mailto:custserv@lancerworldwide.com).

#### WARRANTY

For warranty specifics by product, contact your Lancer Sales Representative. Equipment design and/or specifications are subject to change without notice.

For more Information visit [lancerworldwide.com](http://lancerworldwide.com) or call 1-888-846-6729



## Distinctive Design

Drink flow rates:

**LEV 3.0:** 1.5 oz/s - 3.0 oz/s  
(44.4 ml/s – 88.8 ml/s)

## Available Configurations:

- Push Button (PB)
- Portion Control (PC)
- Self-Serve Lever (SSL)
- Easyfill (EF)

### Flowing Pressure

Water: 40 - 110 psig (2.8 - 7.7 bar)  
Syrup (Sugar): 20 - 70 psig (1.4 - 4.9 bar)  
Syrup (Diet/Light): 10 - 70 psig (0.7 - 4.9 bar)

### Ratio Adjustment Range

3.0-9.0 Water/Syrup by Volume  
(dependent on finished drink flow rate)

### Electrical

24V, 50/60 Hz

### Mounting

VersaPour mounting block has the same mounting screw hole pattern as the following:

- Dole SEV
- Dole FFV
- Cornelius UF1, SF1
- McCann Turbo Flo Jr.



For more Information visit [lancerworldwide.com](http://lancerworldwide.com) or call 1-888-846-6729