

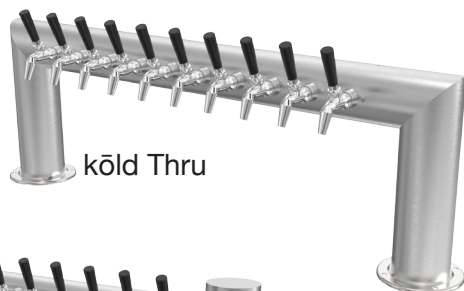
köldpipe U



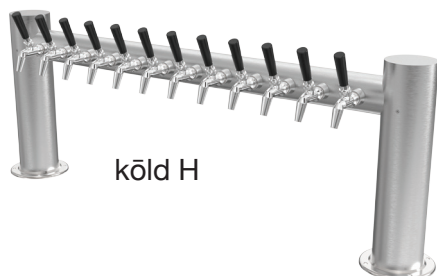
köldpipe Y



köld T



köld Thru



köld H



köld M

With more than 50 years experience, Lancer Worldwide has a team of experts ready to provide you with a draft system that is unique to your business. With the innovative Patent Pending kold Draw Technology our **köld Towers** provide a high yield and profitable solution to pouring any beverage at any time in the most energy efficient package the industry can offer.

All Towers Feature the Following:

- Patent Pending kold Draw Technology
- Brushed Stainless Steel Finish
- Faucets included
- Product Connection - 1/4" OD Stainless Steel Tubes with 1/4" Barb
- Glycol Connection - 3/8" ID x 1/2" OD Polyethylene Tubing



#### WARRANTY

For warranty specifics by product, contact your Lancer Sales Representative. Equipment design and/or specifications are subject to change without notice.

#### CUSTOMER SERVICE

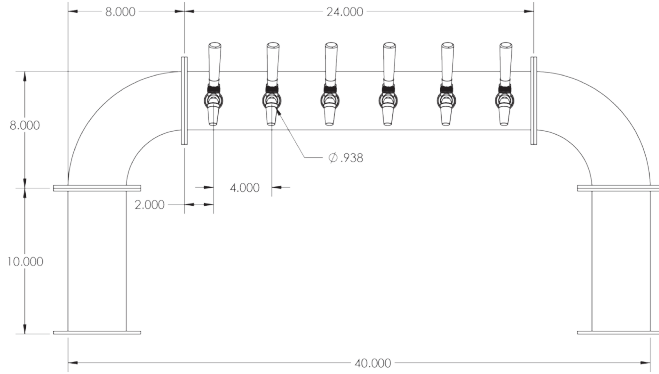
Should you require more information about our products, please do not hesitate to contact our customer service team at [custserv@lancerworldwide.com](mailto:custserv@lancerworldwide.com).

For more Information visit [lancerworldwide.com](http://lancerworldwide.com) or call 1-888-846-6729

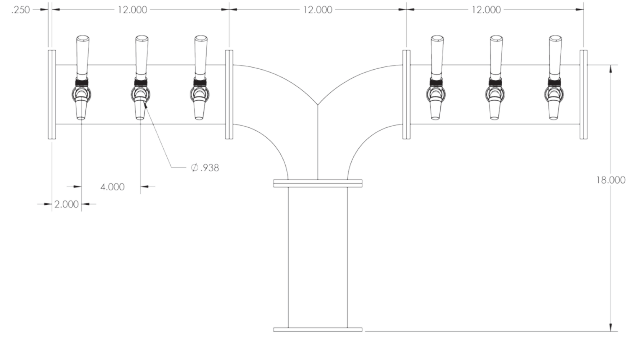
- köldpipe Bridge Tower
- köldpipe Y
- köld T
- köld H
- köld Thru

köld Faucet Towers

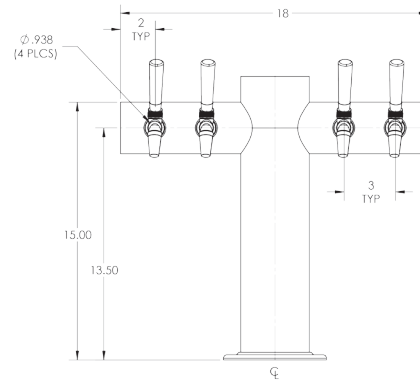
köldpipe Bridge Tower



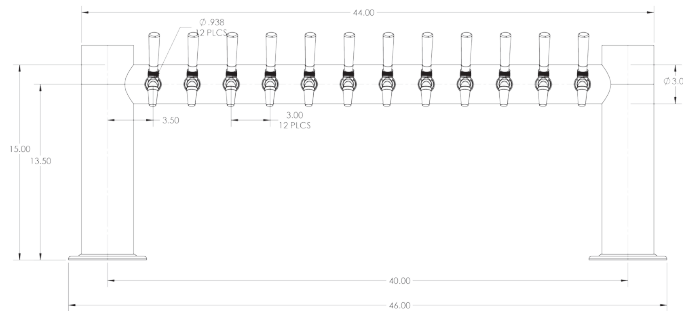
köldpipe Y



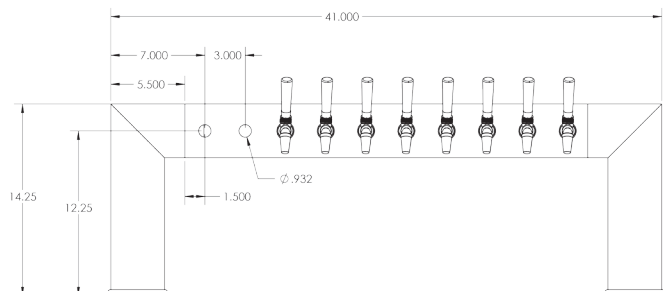
köld T



köld H



köld Thru



For more Information visit [lancerworldwide.com](http://lancerworldwide.com) or call 1-888-846-6729