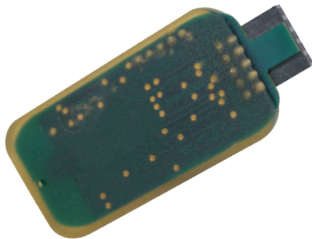


- ☐ LVV PB ☐ LVV PC ☐ LVV CS ☐ LVV SSL

Volumetric Valve
3.0 SSL



LVV Bluetooth Key



Accessories and Options

Hand-held Programmer (PN: 52-1420/03-SP)

Syrup Separator Nozzle (PN: 54-0201-SP)

Front Water Button

Soda Button

Basic Valve (No Cover & ID Panel)

Certified by these agencies:



CUSTOMER SERVICE

Should you require more information about our products, please do not hesitate to contact our customer service team at custserv@lancerworldwide.com.

The **Volumetric Valves** are built with the highest quality materials and proven technology to provide our customers with consistent drink quality and reliability.

Features

- Consistent “Best in Class” performance
- Volumetric metering give accurate ratio over life of valve
- Once set, no adjustment
- Over 500,000 Lancer Volumetric Valves in the market

Get more performance from your valves with **Lancer’s Field Programming Tool!**

- Download the Apple or Android™ App
- Use your mobile device supporting Bluetooth®
- Set ratio in half the time
- Capabilities include:
 - Calibrate Ratio
 - Set Ratio
 - Set Portion Sizes
 - Set Carb/Non-Carb
 - Store Settings
 - Timed Pours
 - Copy Settings
 - Syrup Purge
- LVV Bluetooth Key (PN: 64-5111-SP)
Available from your Lancer Sales Office

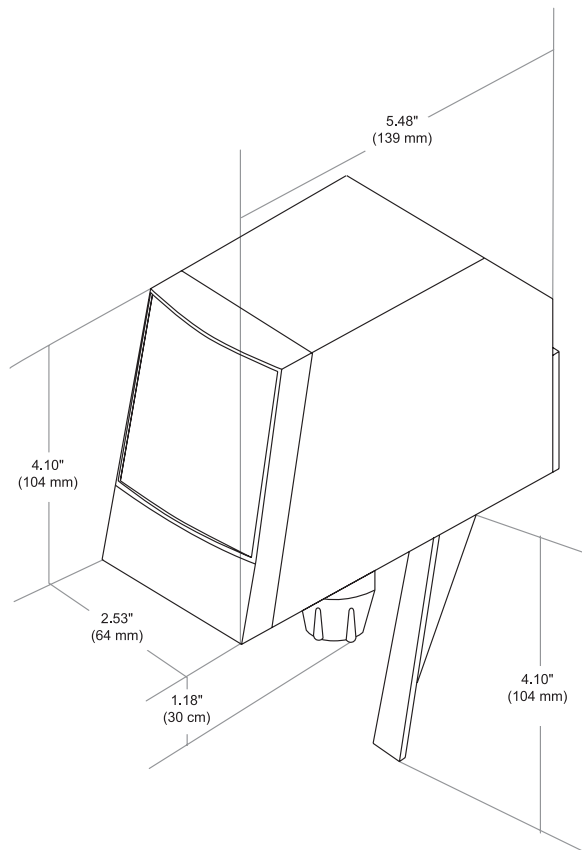


WARRANTY

For warranty specifics by product, contact your Lancer Sales Representative. Equipment design and/or specifications are subject to change without notice.

For more Information visit lancerworldwide.com or call 1-888-846-6729

LVV PB LVV PC LVV CS LVV SSL



Distinctive Design

Available in the following nozzle sizes and drink flow rates:

- Push Button (PB)
- Portion Control (PC)
- Crew Serve (CS)
- Self-Serve Lever (SSL)

3.0 oz/s (90 ml/s)
(Grey flow washer assembly)

2.3 oz/s (68 ml/s)
(White flow washer assembly)

1.5 oz/s (45 ml/s)
(Red flow washer assembly)

Lower flow rates are typically used to reduce foaming due to the product and/or altitude.

Examples: At high altitudes, 1.5 oz/s is often used to reduce foaming that occurs.

Root Beer is a foamy product that is often dispensed at 1.5 oz/s.

Some products do not contain anti-foaming ingredients and 2.3 oz/s is often used.

Flowing Pressure

Water: 40 - 110 psig (2.8 - 7.7 bar)

Syrup (Sugar): 20 - 70 psig (1.4 - 4.9 bar)

Syrup (Diet/Light): 10 - 70 psig (0.7 - 4.9 bar)

Electrical

24V, 50/60 Hz

Mounting

Uses LEV® Mounting Block

LEV® mounting block has the same mounting screw hole pattern as the following:

- Dole SEV
- Dole FFV
- Cornelius UF1, SF1
- McCann Turbo Flo Jr.