

□ TwinPour44



## TWIN POUR™

with Lancer Link™

Two-time International award-winning **Twin Pour™** features dual touch screens, along with two versatile ice dispensers and a programmable and wifi enabled LCD video merchandiser. With up to 266 flavor combinations, including carbonated and non-carbonated, and our proprietary FluidicFlow™ dispensing technology ensures there is no flavor transfer, for the perfect drink every time.

### Features

- Now with Lancer Link™
- Up to 266 flavor combinations, including carbonated and non-carbonated water
- Serve two customers at once
- Two 7" LED touch screens
- Two versatile ice dispense points for all ice types; including chewable ice
- Built in redundancy ensures maximum uptime
- Programmable and WIFI enabled LCD merchandiser
- Programmable LED target lighting
- LFCV 4.0 oz. (multi flavor)
- 2 Key lock switches
- Pump Deck and Ice Adaptor included



### Accessories and Options

- LCD Merchandiser Kit
- Extended Splash Plate
- Dual Ice Divider

Certified by these agencies:



#### CUSTOMER SERVICE

Should you require more information about our products, please do not hesitate to contact our customer service team at [custserv@lancerworldwide.com](mailto:custserv@lancerworldwide.com).



#### WARRANTY

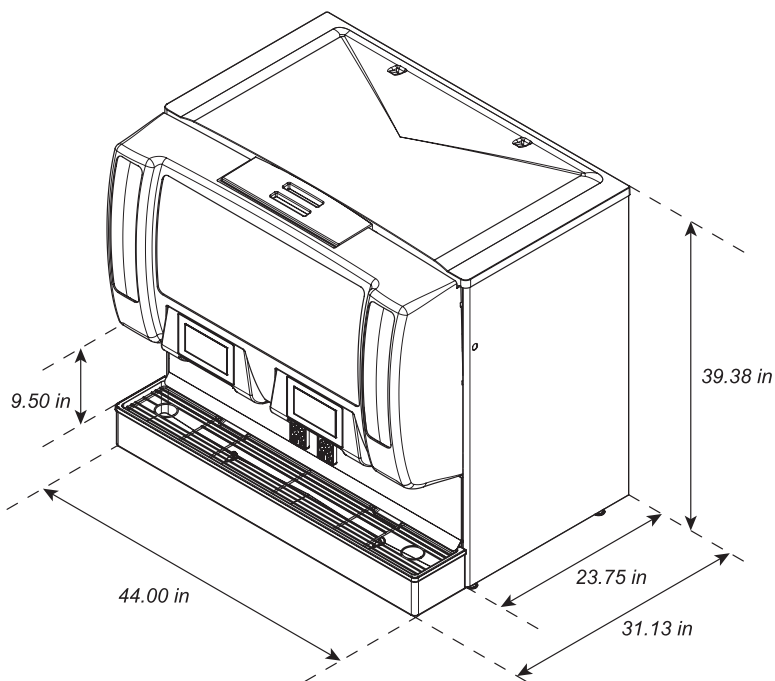
For warranty specifics by product, contact your Lancer Sales Representative. Equipment design and/or specifications are subject to change without notice.

TwinPour Cold Carbonation Ice Beverage Dispenser

For more Information visit [lancerworldwide.com](http://lancerworldwide.com) or call 1-888-846-6729

□ TwinPour44

TwinPour Cold Carbonation Ice Beverage Dispenser



## Distinctive Design

- Cold Carbonation
- Pick off tubes
  - 1 plain water
  - 1 carbonated water

### Dimensions

Height: 39.375" (1000.1 mm)  
Width: 44" (1117.6 mm)  
Depth: 31" (787.4 mm)

### Space Required

Width: 46" (1168.4 mm)  
Depth: 40" (1016 mm)  
Height: Allow sufficient clearance for manually filling with ice or refer to ice maker recommendation for top clearance.

### Electrical

115V/60Hz, 6Amps  
220-240V, 50/60 Hz, 3Amps

### Weight

With Ice: 745 lbs (337.9 kg)  
Shipping: 585 lbs (265 kg)

### Ice

Capacity: 312 lbs (142 kg)  
Dispensable: 255 lbs (116 kg)  
Accepts 30" and 22" and 44" wide ice makers (adapters may be required)

### Fittings

Soda Inlets: 3/8" (9.5mm) male barb  
Syrup Inlets: 3/8" (9.5mm) male barb

### Flex Manifold Configuration

Total carb / non carb flexibility  
Up to 24 brands  
(10 chilled / 2 ambient per nozzle)  
Up to 8 bonus Flavors (4 per nozzle)

For more Information visit [lancerworldwide.com](http://lancerworldwide.com) or call 1-888-846-6729