

□ 6 Brands / 4 Bonus □ 8 Brands / 4 Bonus □ 10 Brands

6 Brands



Accessories and Options

- Lancer Link™
- BIB Rack
- Chiller

Certified by these agencies:



CUSTOMER SERVICE

Should you require more information about our products, please do not hesitate to contact our customer service team at custserv@lancerworldwide.com.

Touchscreen Tower (TST),

the award-winning TST offers customers a personalized and unique dispensing experience. With just the touch of a button your customers can choose from a variety of beverage choices including trending specialty beverages like energy drinks and better for you drinks.

Features

- Lancer Link™ compatible
- Alternative beverage offerings
- Carbonated or non-carbonated
- Dispense up to 10 brands
- Large 10.4" interactive touchscreen
- Customizable user interface
- Customizable LED lighting patterns
- Small footprint
 - 9.4" (238.76 mm) x 18.7" (474.98 mm)
- Countertop installation
- Aether tea cartridge included



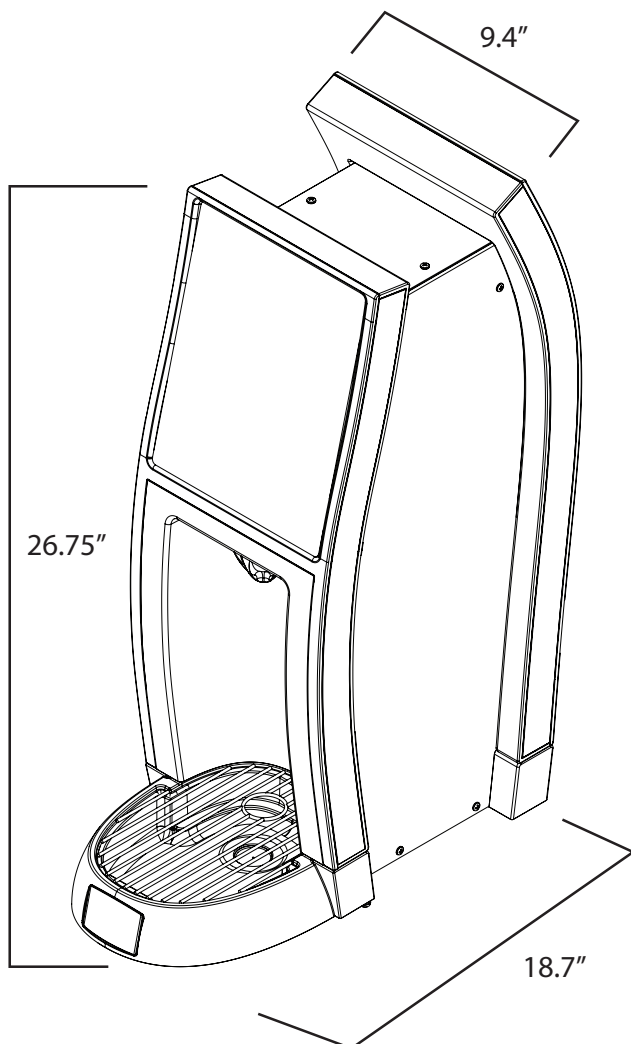
WARRANTY

For warranty specifics by product, contact your Lancer Sales Representative. Equipment design and/or specifications are subject to change without notice.

For more Information visit lancerworldwide.com or call 1-888-846-6729

6 Brands / 4 Bonus 8 Brands / 4 Bonus 10 Brands

Touchscreen Tower Beverage Dispensers



Available Configurations:

- 6 Brands - Up to 4 bonus flavors optional
- 8 Brands - Up to 2 bonus flavors optional
- 10 Brands - No bonus flavor options

Dimensions

Height: 26.75" (679.45 mm)

Width: 9.4" (238.76 mm)

Depth including drip tray: 18.7" (474.98 mm)

Weight

Shipping: 35lbs (15.88 kg)

Electrical

2 Amp, 24V, 50/60hz

For more information visit lancerworldwide.com or call 1-888-846-6729