

ICDI 2323 6vl ICDI 2323 8vl ICDI 2323 10vl

ICDI 2323 8vl



Accessories and Options

Conversion Stand
Marquee
Merchandiser
6 valve to 8 valve Conversion Kit
Splash Guards
Water Spigot
Power Supply

Certified by these agencies:



CUSTOMER SERVICE

Should you require more information about our products, please do not hesitate to contact our customer service team at custserv@lancerworldwide.com.

High Performance
Ice Cooled Drop In Dispensers (ICDI) utilize advanced engineering simulations for the coldest drinks in the industry. They exceeds all industry standards for draw capacity with flow rates up to 4.5 oz. per second.

Features

- Front plumbing inlets
- Improved easy serviceability/cleanability
- 100 % carbonation and plain water flexibility
- Stainless steel hard plumbed towers
- Easy to use switch over fitting
- Syrup & soda inlets: 3/8" (9.5 mm) male barb
- LEV® valves standard, other valves available upon request
- Key lock switch



WARRANTY

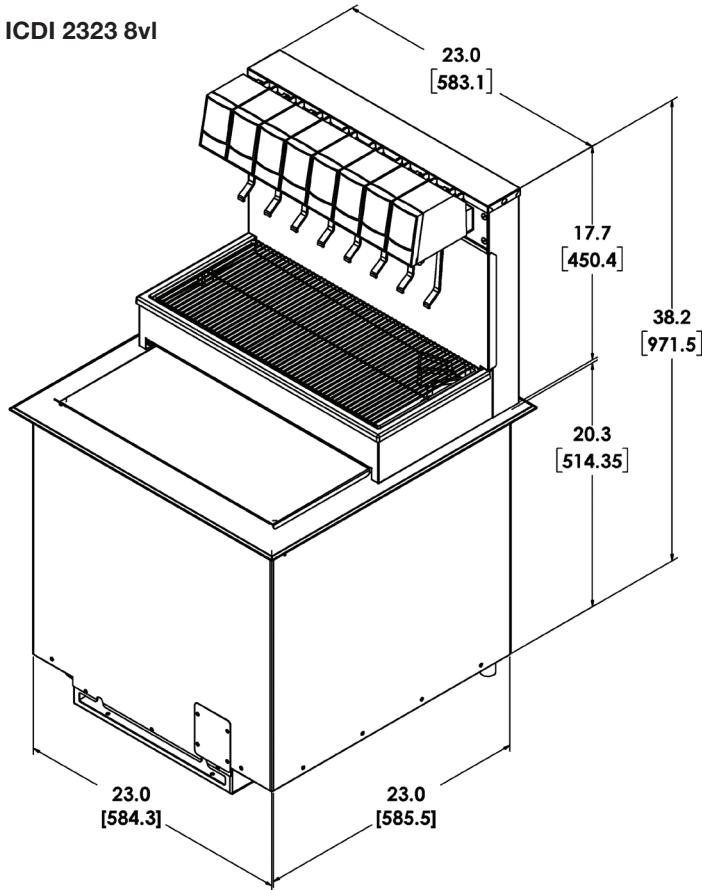
For warranty specifics by product, contact your Lancer Sales Representative. Equipment design and/or specifications are subject to change without notice.

High Performance Ice Cooled Drop In Dispensers

For more Information visit lancerworldwide.com or call 1-888-846-6729

□ ICDI 2323 6vl □ ICDI 2323 8vl □ ICDI 2323 10vl

ICDI 2323 8vl



Distinctive Design

Meets or exceeds industry standards for performance

ICDI 2323 - 6 valves (2-1-1-2)
8 valves (3-1-1-3)
10 valves (3-1-2-1-3)

Dimensions

38.2" H x 23" W x 23" D
(970 mm H x 584 mm W x 584 mm D)

Counter Cut-Out

23.25" W x 23.25" D
(591 mm W x 591 mm D)

Weight

Operating: 240 lbs (109 kg)
Shipping: 266 lbs (121 kg)

Ice

Capacity: 100 lbs (45 kg)

Electrical

115V/60Hz
220-240V/50-60Hz

For more information visit lancerworldwide.com or call 1-888-846-6729