



The **Truemix® gas blenders** mix CO2 and N2 on demand and are best used for long draw draft systems. All come preset with your custom blends to best fit your system. All panels mount easily on the wall, and are simple to install.

- Truemix® Single HP blender's customization of the blends give you endless options and the flexibility to expand your draft beer selection.
- The Truemix® Single High Flow HPR blender, you are able to double the flow rate of a standard Truemix® Single blender at the same inlet pressure. This blender is utilized in systems where a higher flow rate is required, or higher inlet pressures, like 70 psi or 110 psi, are not feasible.
- With the Truemix® Double HP blender, customization of the blends gives you endless options and the flexibility to expand your draft beer selection.
- With the Truemix® Double High Flow HPR blender, you are able to include low CO2 content nitrogenated beers, high CO2 content German Style beers, and domestic drafts on one system without the need for additional premixed cylinders.
- Minimal pressure drops to reduce pressure issues in the line and the keg.

#### CUSTOMER SERVICE

Should you require more information about our products, please do not hesitate to contact our customer service team at [custserv@lancerworldwide.com](mailto:custserv@lancerworldwide.com).

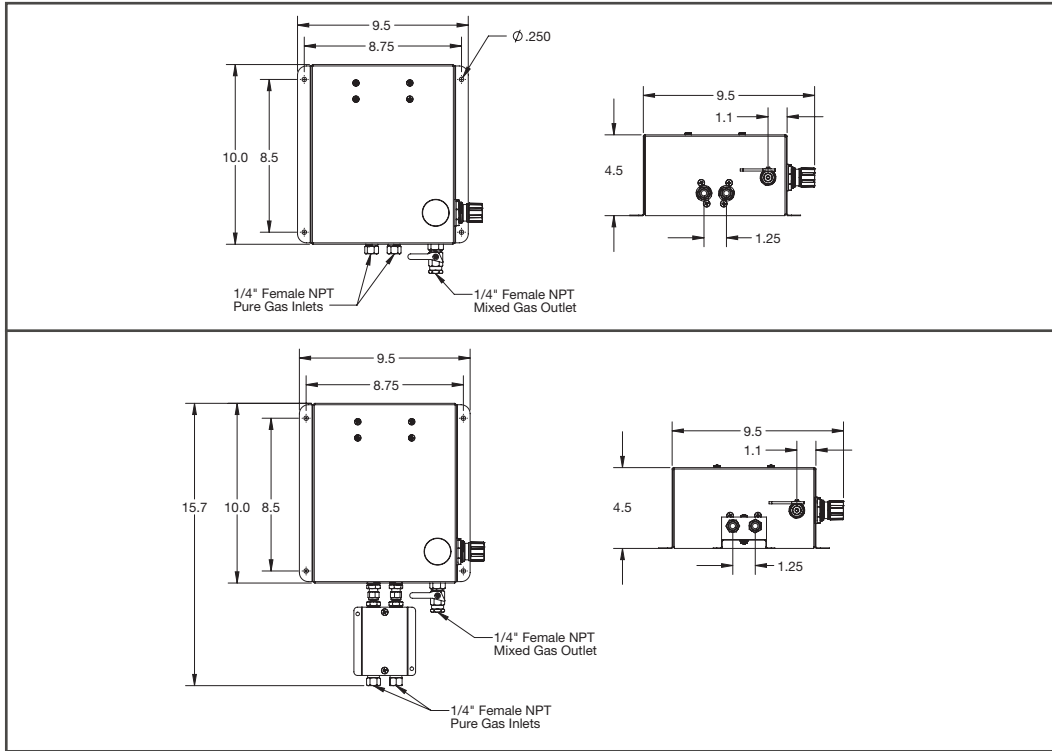


#### WARRANTY

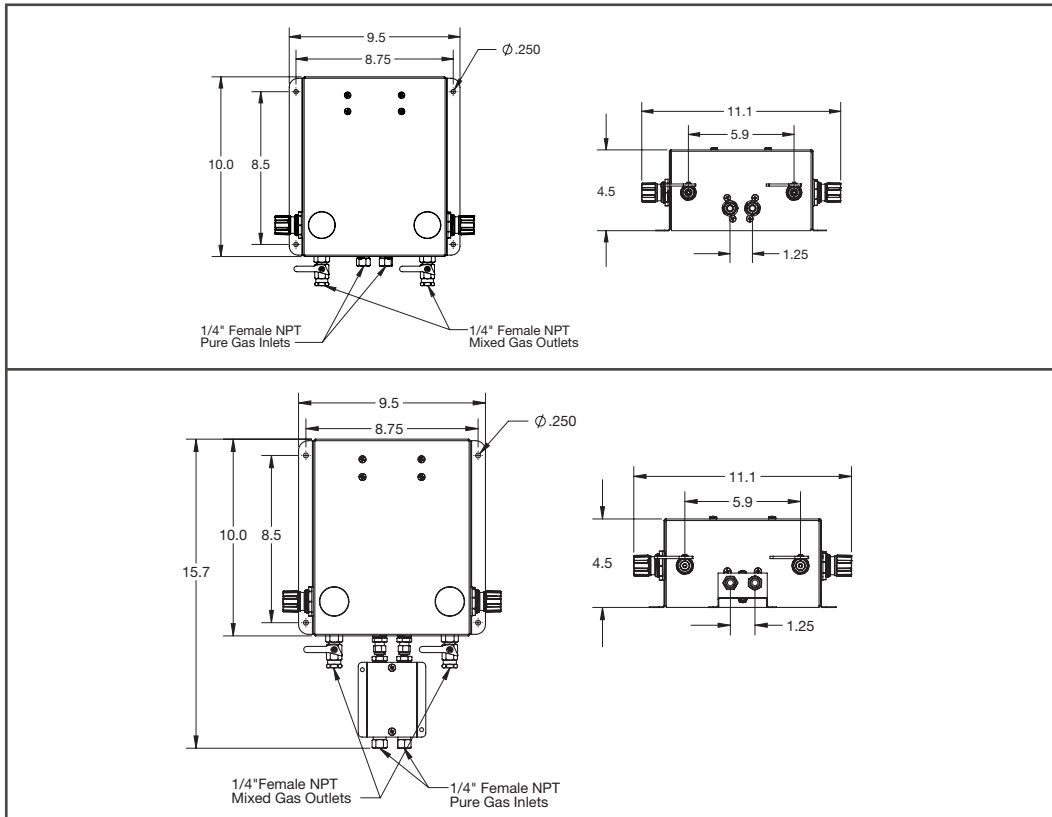
For warranty specifics by product, contact your Lancer Sales Representative. Equipment design and/or specifications are subject to change without notice.

For more Information visit [lancerworldwide.com](http://lancerworldwide.com) or call 1-888-846-6729

## Single Gas Blenders



## Double Gas Blenders



For more Information visit [lancerworldwide.com](http://lancerworldwide.com) or call 1-888-846-6729