

PARTS AND INSTALLATION INSTRUCTIONS

LIGHTED MARQUEE KIT COUNTER ELECTRIC DISPENSER (CED)

1. APPLICABILITY

1.1 This Instruction Sheet applies to the following Lighted Marquee Kits:

<u>Kit PN</u>	<u>Description</u>	<u>Kit PN</u>	<u>Description</u>
• PN 82-1799	500 CED Marquee Kit	• PN 82-1801	1500 CED Marquee Kit
• PN 82-2202	800 CED Marquee Kit	• PN 82-2203	8000 CED Marquee Kit
• PN 82-1800	Delta Marquee Kit	• PN 82-1802	2500 CED Marquee Kit

2. INSTALLATION INSTRUCTIONS FOR MOUNTING LIGHTED MARQUEE TO GRILL SIDE OF BONNET

WARNING

DISCONNECT DISPENSER FROM POWER SOURCE BEFORE BEGINNING THIS PROCEDURE.

CAUTION

TAKE CARE TO NOT SCRATCH SIDES OF BONNET DURING REMOVAL AND INSTALLATION PROCEDURES.

2.1 REMOVE BONNET FROM DISPENSER.

- Place bonnet with grill side up on a smooth surface.
- Disconnect Electric Valve Harness (if equipped) from Transformer.

2.2 INSTALLATION OF MARQUEE

- Place Reflector Plate Assembly onto bonnet so that the holes in the top of the Mounting Bracket (part of the Reflector Plate Assembly) line up with the top row of grill openings.

NOTE

The holes to either side of the Mounting Bracket should also line up with a respective grill opening.

- Locate 10-32 screws, nuts, and washers in provided hardware bag (hardware numbers vary depending upon the kit being used). Place one (1) washer on each screw, insert screw through the grill into a hole in the Mounting Bracket, and secure with a nut. Repeat this step for each hole.
- Feed wire leads of Reflector Plate Assembly through the grill at the top row of openings.
 - Locate Nylon Plug Housing in hardware bag.
 - Insert white lead into pin 1 of Plug Housing and insert black lead into pin 2.
- Locate the Lead Extension Assembly in the hardware bag.
 - Connect the leads to the Transformer.
 - Reconnect the Electric Valve Harness to the piggyback connections on the Lead Extension Assembly.
- Route all leads away from any rotating equipment. *Secure leads with tie-wraps if necessary.*
 - Place bonnet in a position over the Refrigeration Deck so that the plug on the Lead Extension Assembly can be connected to the plug from the Reflector Plate.
 - Lower bonnet into position, *taking care not to pinch any leads.*
- Plug in power supply to unit. Verify that connections are secure and that lights operate correctly.

CAUTION

USE CARE TO NOT SCRATCH THE FRONT LENS DURING INSTALLATION.

- Locate Clear Lenses. Remove protective coating from each clear lens.
 - Place one lens on either side of the Graphics Panel (ordered separately, see Figure 1 on reverse).
 - Insert the lenses into the Front Housing Assembly by flexing the panels and sliding them into place from one end of the Housing.
 - After installation of lenses into Front Housing Assembly, affix one plastic lens retainer (05-1566) to each end of the Housing Assembly (between the stud retainer and the lenses) to prevent the lenses from accidentally being pushed in.

(Continued on Reverse)

LANCER

6655 LANCER BLVD. • SAN ANTONIO, TEXAS 78219 USA • (210) 310-7000

FAX SALES

• NORTH AMERICA – 210-310-7245 • INTERNATIONAL SALES – 210-310-7242 • CUSTOMER SERVICE – 210-310-7242 •
• LATIN AMERICA – 210-524-9567 / 210-310-7245 • EUROPE – 32-2-755-2399 • PACIFIC – 61-8-8268-1978 •

FAX ENGINEERING: • 210-310-7096

"Lancer" is the registered trademark of Lancer • Copyright — 1997 by Lancer, all rights reserved.

DATE: 01/17/97
P.N.: 28-0634/01

(Continued From Page 1)

- H. Snap Front Housing Assembly into place onto Reflector Plate by engaging the studs on the Housing into the stud clips on the Reflector Plate.
- I. Installation is now complete.

3. INSTALLATION INSTRUCTIONS FOR MOUNTING LIGHTED MARQUEE TO SOLID SIDE OF BONNET

WARNING

DISCONNECT DISPENSER FROM POWER SOURCE BEFORE BEGINNING THIS PROCEDURE.

CAUTION

TAKE CARE TO NOT SCRATCH SIDES OF BONNET DURING REMOVAL AND INSTALLATION PROCEDURES.

3.1 REMOVE BONNET FROM DISPENSER.

- A. Place bonnet on a smooth surface, with the front, solid side of the bonnet facing you.
- B. Disconnect Electric Valve Harness (if equipped) from Transformer.

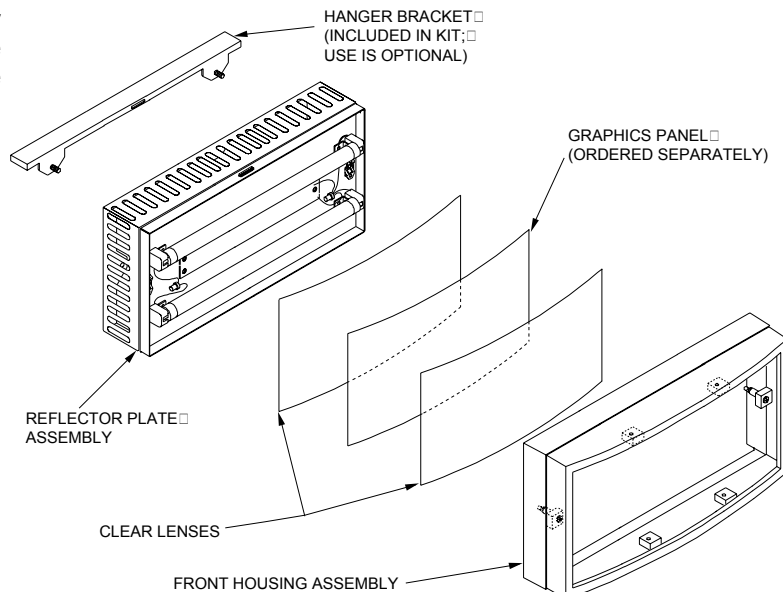
3.2 INSTALLATION OF MARQUEE

- A. Locate Hanger Bracket and 10-32 nuts (hardware numbers vary depending upon the kit being used) in provided hardware bag. Feed wire leads through oblong hole at top of Hanger Bracket. Insert studs of Hanger Bracket into holes in Mounting Bracket and secure with nuts.
- B. Pass the wire leads through the first row of grill openings in the top of the bonnet, engage the flanges of the Hanger Bracket in the second row, and hinge the Assembly into place.
- C. Locate Nylon plug housing in hardware bag. Insert white lead into pin 1 of plug housing and insert black lead into pin 2.
- D. Locate the Lead Extension Assembly in the hardware bag. Connect the leads to the Transformer and reconnect the Electric Valve Harness to the piggyback connections on the Lead Extension Assembly.
- E. Route all leads away from any rotating equipment. *Secure with tie-wraps if necessary.*
 - (1) Place bonnet in a position over the Refrigeration Deck so that the plug on the Lead Extension Assembly can be connected to the plug from the Reflector Plate.
 - (2) Lower bonnet into position, *taking care not to pinch any leads.*
- F. Plug in power supply to unit. Verify that connections are secure and that lights operate correctly.

CAUTION

USE CARE TO NOT SCRATCH THE FRONT LENS DURING INSTALLATION.

- G. Locate Clear Lenses. Remove protective coating from each clear lens.
 - (1) Place one lens on either side of the Graphics Panel (ordered separately, see Figure 1).
 - (2) Insert the lenses into the Front Housing Assembly by flexing the panels and sliding them into place from one end of the Housing.
 - (3) After installation of lenses into Front Housing Assembly, affix one plastic lens retainer (05-1566) to each end of the Housing Assembly (between the stud retainer and the lenses) to prevent the lenses from accidentally being pushed in.
- H. Snap Front Housing Assembly into place onto Reflector Plate by engaging the studs on the Housing into the stud clips on the Reflector Plate.
- I. Installation is now complete.



Please refer to the Lancer web site (www.lancercorp.com) for information relating to Lancer Installation and Service Manuals, Instruction Sheets, Technical Bulletins, Service Bulletins, etc.



**Lighted Marquee, Counter Electric Dispenser
Figure 1**