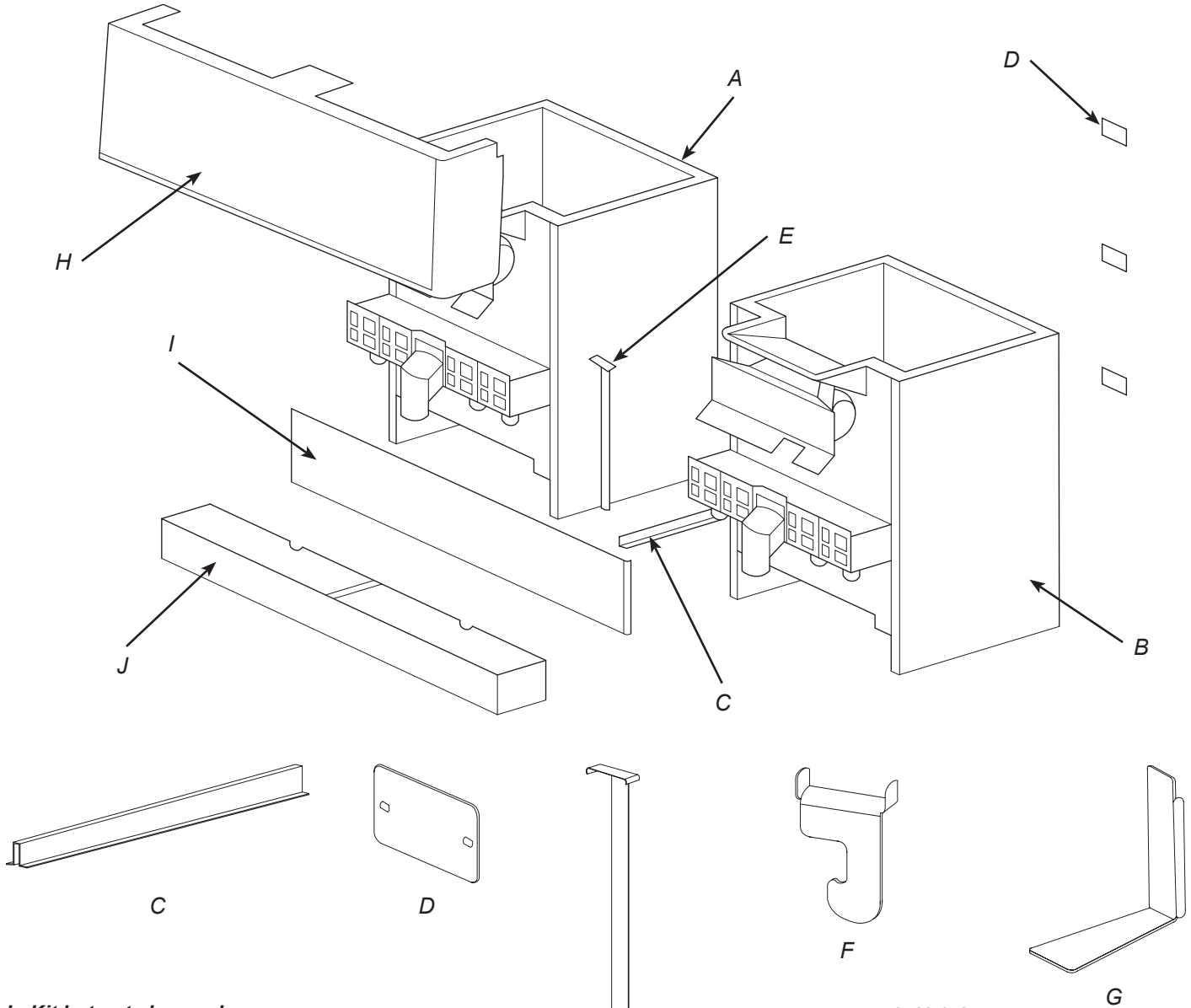


General System Overview



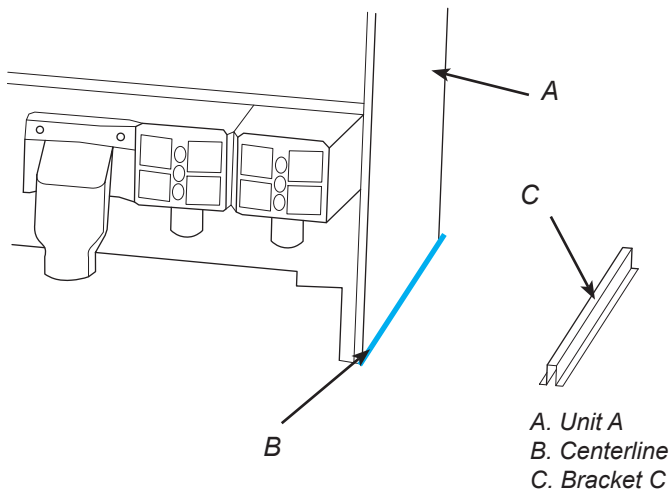
In Kit but not shown above:

- Self Tap Screw 8MM x2 (04-0061)
 - Only for FS 44/60 X 16 in tall
- Key Switch Harness (52-3624)
 - Only for 3 piece Merchandiser FS60 X 24 in tall
- LED Light Harness (52-3616)
 - Only for 3 piece Merchandiser FS60 X 24 in tall
- Adhesive Wire Clip (03-0300)
 - Only for 3 piece Merchandiser FS60 X 24 in tall

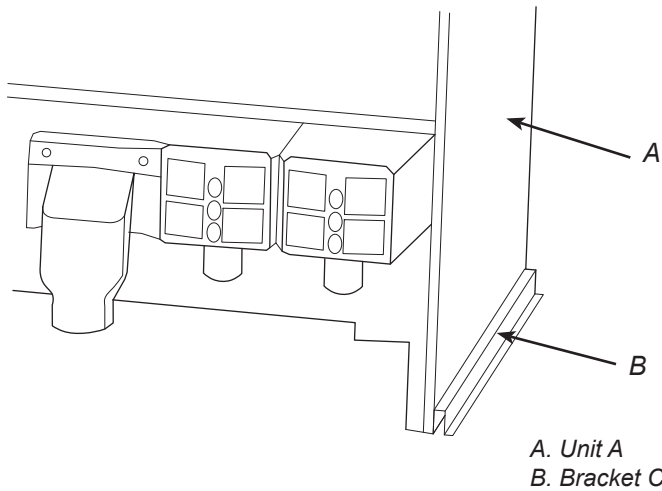
- A. Unit A
- B. Unit B
- C. Bracket C (51-6197)
- D. Bracket D x3 (30-11698)
- E. Bracket E (30-11781)
- F. Bracket F x2 (30-11901)
- G. Bracket G (30-11700)
 - Only for 3 piece Merchandiser FS60 X 24 in tall
- H. Merchandiser Assembly
 - 82-4795 (FS44 16")
 - 82-4808 (FS60 16")
 - 82-4801 (FS60 24")
- I. Splash Plate
- J. Drip Tray

Installation - FS 44/60

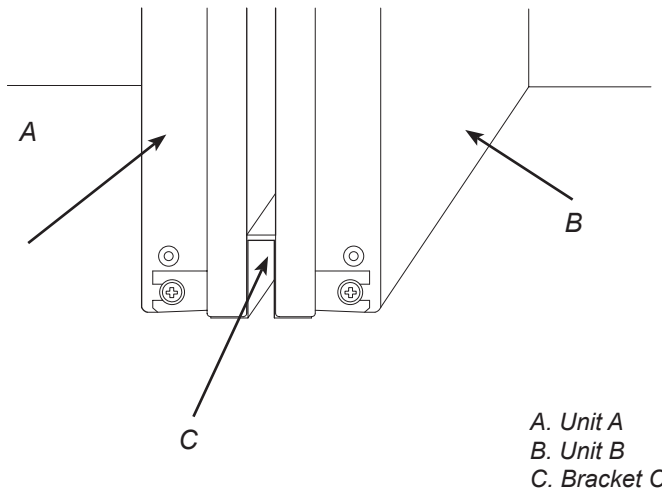
1. Remove Ice Bins for both Units A and B and set aside.
2. Set the right side of Unit A on the center line of the desired position.



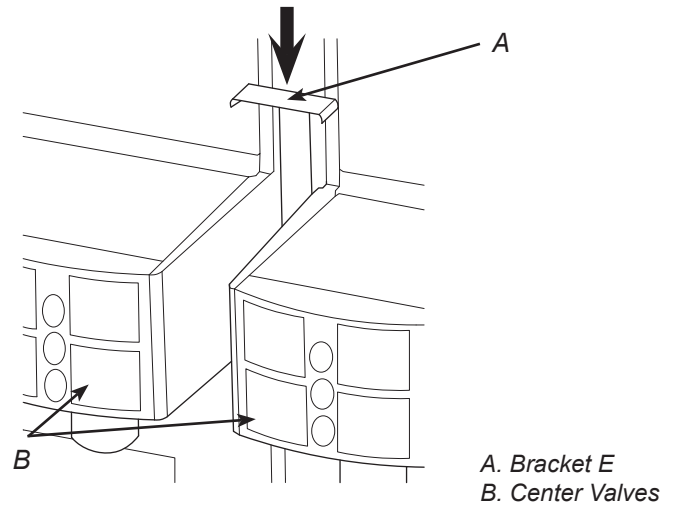
3. Place Bracket C next to Unit A, aligned to the right panel.



4. Slide Unit B next to Unit A and against Bracket C to create a gap between the two units as shown in figure.



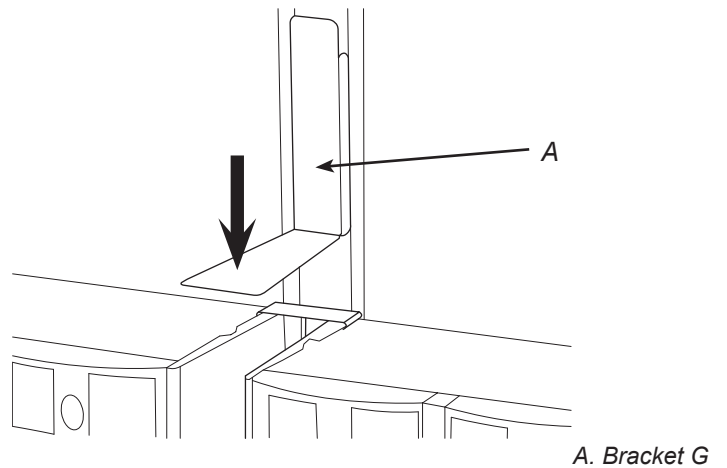
5. Install Bracket E inbetween the two center valves located in the front of the unit.



6. Install Bracket G on the front side of the unit, over Bracket E installed in the previous step.

NOTE

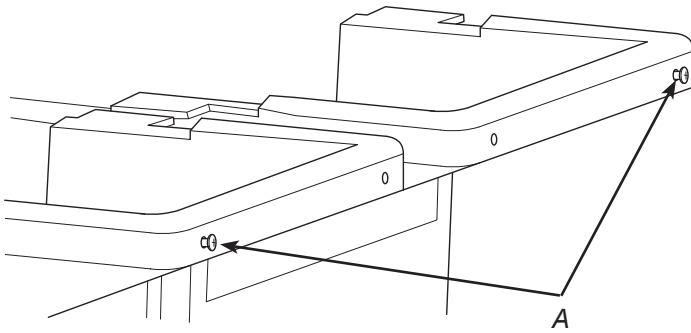
This only applies for FS60 X 24 inch tall units whose Merchandiser comes in 3 separate pieces.



7. Install the Self Tap Screws in the corresponding places located at the top of the unit, leaving an 1/8 inch gap between the head of the screw and the unit.

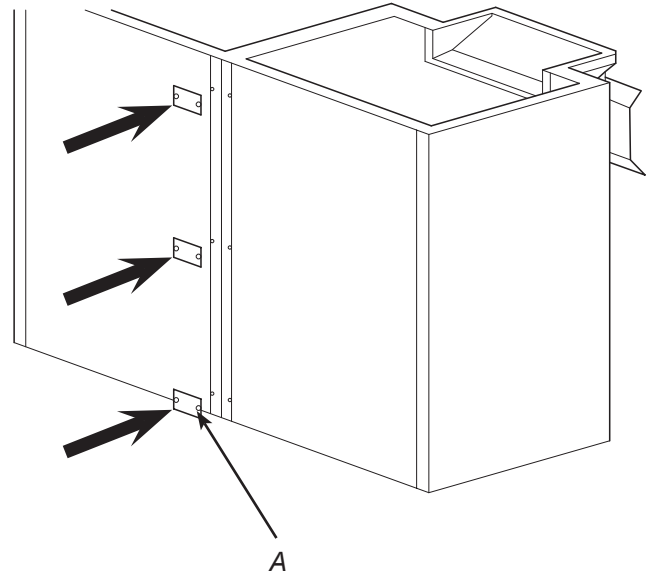
NOTE

For 3 piece Merchandiser FS60 X 24 inch tall units, install 4 screws (2 per unit). For all other Merchandisers install just one per unit as shown below.



A. Self Tapping Screws

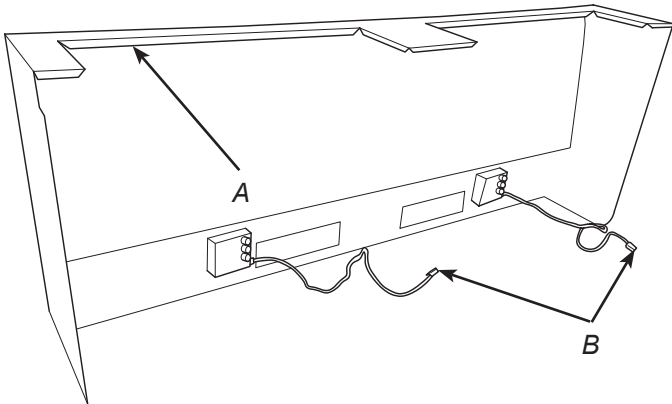
8. Remove the screws from wrapper in the center backside of the units and install Bracket D (x3) by screwing the brackets into the corresponding places in the back of the unit.



A. Bracket D x3

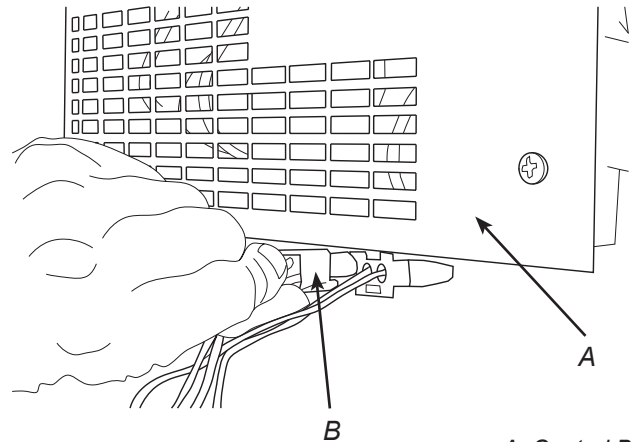
Installation - Merchandiser FS 44/60, 16 inches tall, One piece set

1. Locate the two (2) pin connectors located in the back of the merchandiser.



A. Merchandiser
B. Pin Connectors

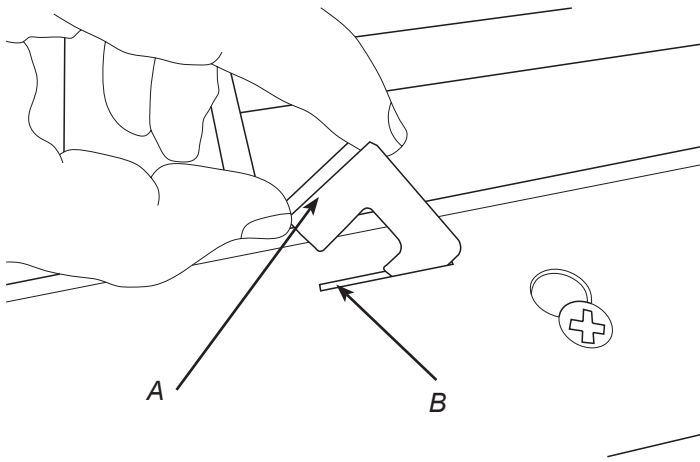
2. Connect the two (2) pin connectors to the LED Connections found in the control boards of both units A and B.



A. Control Box
B. Pin Connector

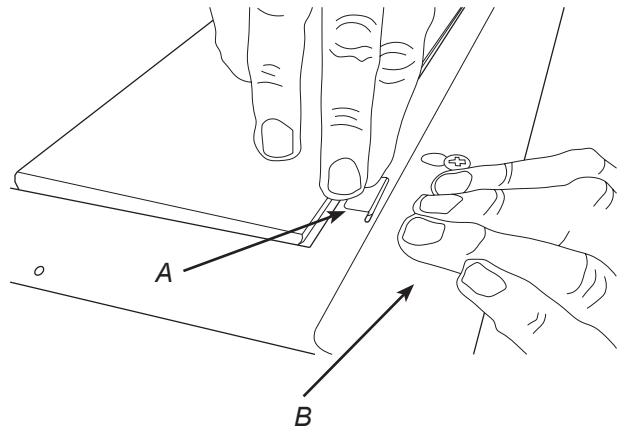
3. Slide the merchandiser into place using the manual fill zones located at the top for each unit A and B.

4. Install Bracket F x2 through the grooves located at the top of the unit.



A. Bracket F
B. Groove in Merchandiser

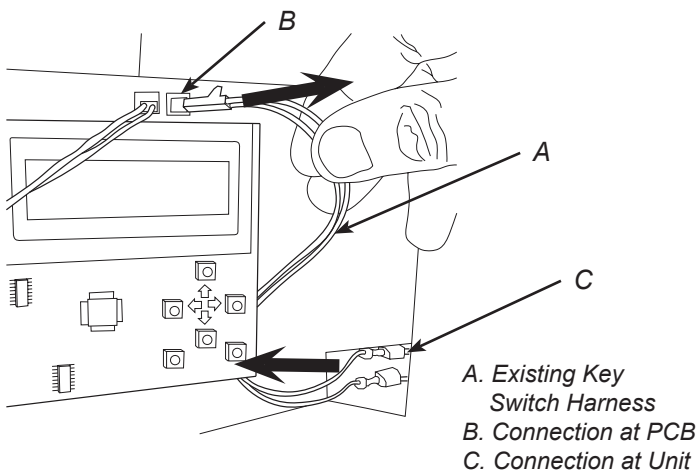
5. Push down on the merchandiser surface then slide both of the brackets into their locked positions. Brackets will lock onto Self Tapping Screws installed in Step 6 in the previous section.



A. Bracket F
B. Top of Merchandiser

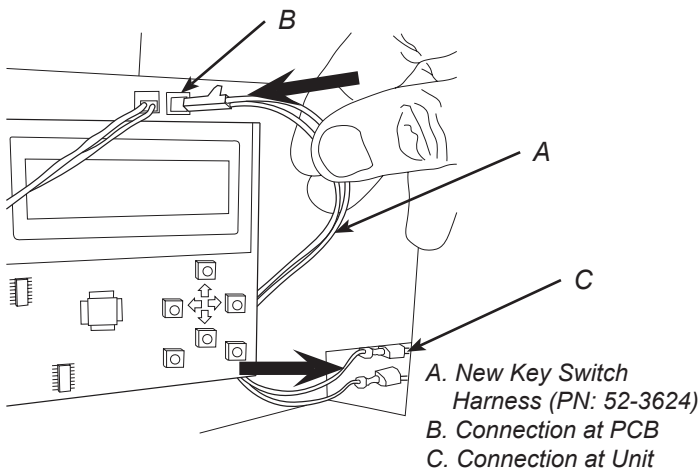
Installation - Merchandiser FS 60, 24 inches tall, 3 piece set

1. Unplug the existing Key Switch Harness from the key switch connection in the PCB and from the key switch connections in the unit for both units A and B.



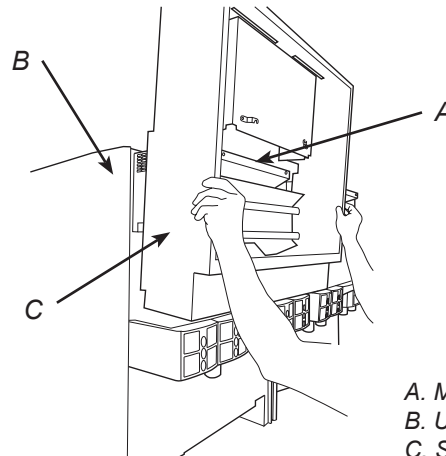
A. Existing Key Switch Harness
B. Connection at PCB
C. Connection at Unit

2. Once the existing Key Switch Harness is removed, install the new Key Switch Harness, (PN: 52-3624) to both the PCB connection and the connections in the units for both units A and B.



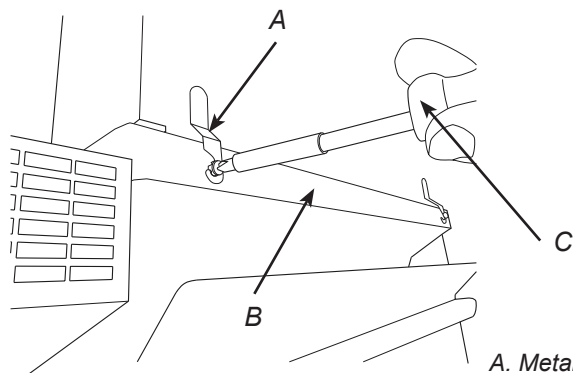
A. New Key Switch Harness (PN: 52-3624)
B. Connection at PCB
C. Connection at Unit

3. Install the square sub-frame merchandiser by using the manual fill zones located at the top of the unit.



A. Manual Fill Zone
B. Unit A
C. Square Sub-Frame

4. Latch the metal hooks of the square sub-frame merchandiser to the Self Tapping Screws installed in Step 6 of the Section Installation - FS 44/60 then tighten screws using screwdriver.

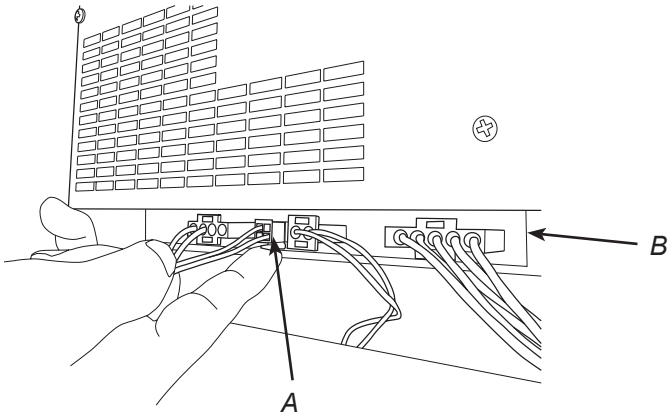


A. Metal Hook
B. Manual Fill Zone
C. Screwdriver

5. Repeat Steps 3 and 4 for the second square sub-frame merchandiser.

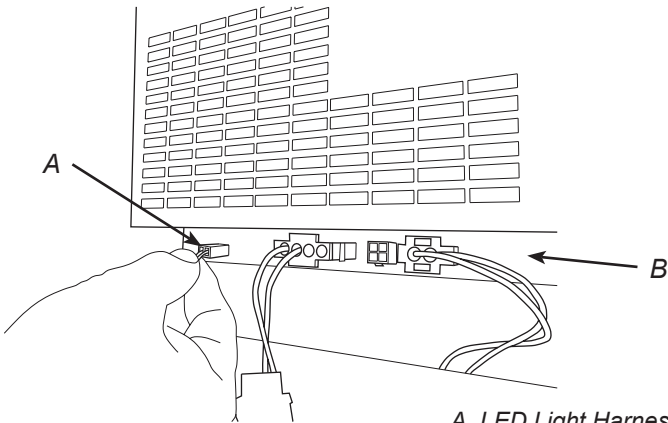
CONTINUED ON NEXT PAGE....

6. Unplug the existing florescent ballast connector from the control board of unit B.



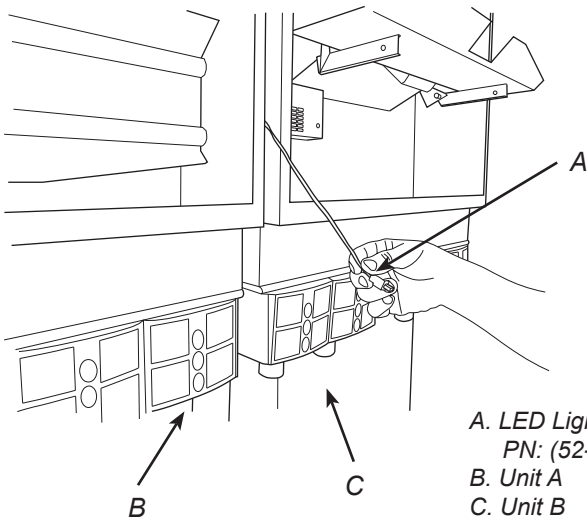
A. Existing Florescent Ballast
B. Unit B Control Board

7. Plug in the LED Light Harness (PN: 52-3616) to the LED connection in the control board of unit B.



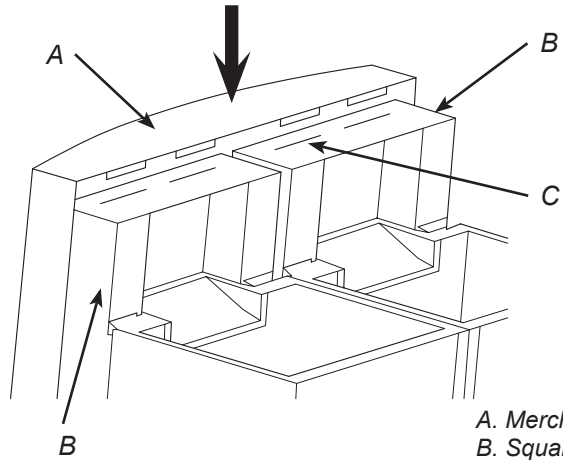
A. LED Light Harness
PN: (52-3616)
B. Unit B Control Board

8. Route the other end of the LED Light Harness to the front of the unit, inbetween the two (2) square sub-frames.



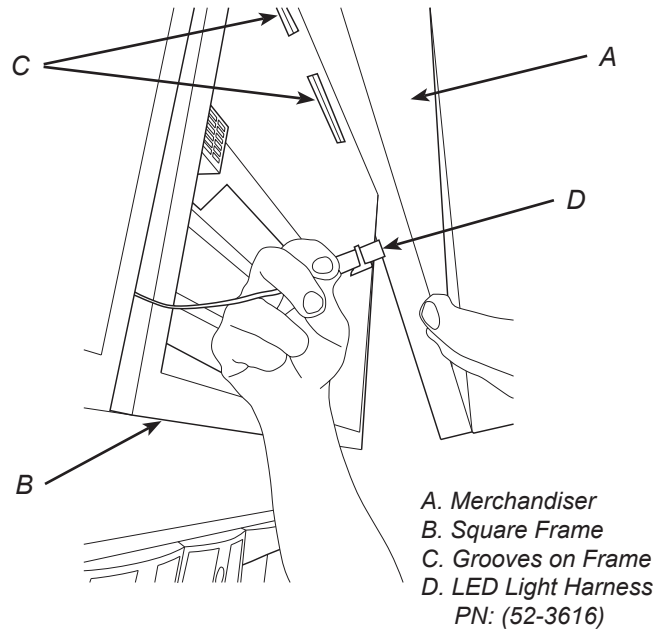
A. LED Light Harness
PN: (52-3616)
B. Unit A
C. Unit B

9. Slide the merchandiser bezel into place by using the grooves found on top of the two (2) square sub-frames.



A. Merchandiser
B. Square Frame
C. Grooves on Frame

10. Tilt the merchandiser forward, without removing the latches from the grooves on top of the sub-frames, and plug in the LED Light Harness to the bottom of the merchandiser.



A. Merchandiser
B. Square Frame
C. Grooves on Frame
D. LED Light Harness
PN: (52-3616)

11. Once the LED Harness is plugged in, lift and slide the plugged in merchandiser into place on the top and bottom of the sub-frames.

12. Install lens and graphics, then connect unit to power to verify key switch and light connections.

Installation - Merchandiser FS 60, 24 inches tall, One piece set

- Lift full, one piece Merchandiser and slide into place using the two manual fill zones located at the top of both Units A and B.

⚠ WARNING

Installation of the 24 inch, one piece Merchandiser requires the help of a second installer. Use proper lifting techniques to avoid personal injury.

⚠ ADVERTENCIA

La instalación de la comerciante de 24 pulgadas requiere la ayuda de un segundo instalador. Utilice técnicas de elevación adecuadas para evitar daños personales.

⚠ AVERTISSEMENT

Installation de la Merchandiser pièce de 24 pouces nécessite l'aide d'une deuxième installateur. Utilisez des techniques de levage appropriées pour éviter les blessures.

NOTE

Please refer to the Lancer Operation Manuals, *PN: 28-0558/05* and *PN: 28-0580/03*, located on the Lancer website (lancercorp.com) for complete installation instructions for the Flavor Select units.

NOTE

Please refer to the Lancer website (lancercorp.com) for more information relating to Lancer Installation and Operation Manuals, Instructions Sheets, Technical Bulletins, etc.

Lancer Corp., 6655 Lancer Blvd., San Antonio, Texas 78219

800-729-1500 - Technical Support/Warranty: 800-729-1550

custserv@lancercorp.com - lancercorp.com

Manual PN: 28-2831/02 - January 2015

"Lancer" is the registered trademark of Lancer © 2015 by Lancer, all rights reserved.