

*The following illustrates how to assemble the Drop-In Conversion Stand for the ICDI 1523, 2323, and 3023 units.*

#### Kit Contents - 1523 Conversion Stand - 84-1004/01

<u>Part Number</u>	<u>Description</u>	<u>Quantity</u>
30-9796/01	Bottom Panel, 1523 Conversion Stand	1
30-9384/01	Left/Right Side Panel, 1523 Conversion Stand	2
30-16066	Support Frame, 1523 Conversion Stand	2
30-9798	Bottom Support, 1523 Conversion Stand	2
30-16065	Access Door, 1523 Conversion Stand	2
51-7063	Rim Assembly, 1523 Conversion Stand	1
81-2000	Adjustable Leg, 6.0", Black	4
04-2006	Hex Nut, 5/8 - 11	4

#### Kit Contents - 2323 Conversion Stand - 84-1005/01

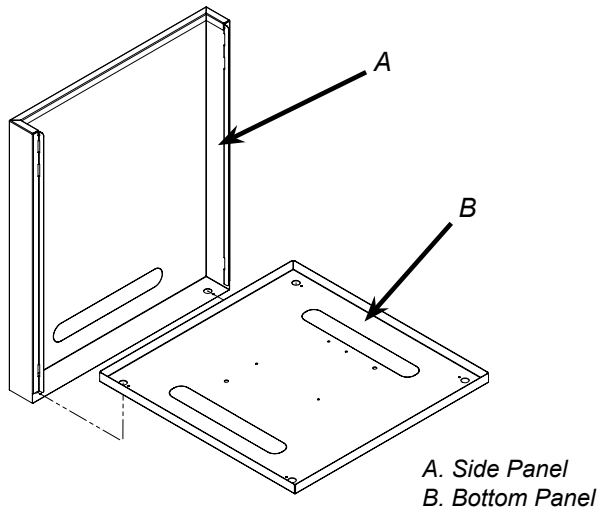
<u>Part Number</u>	<u>Description</u>	<u>Quantity</u>
30-9382/01	Bottom Panel, 2323 Conversion Stand	1
30-9384/01	Left/Right Side Panel, 2323 Conversion Stand	2
30-16059	Support Frame, 2323 Conversion Stand	2
30-9385	Bottom Support, 2323 Conversion Stand	2
30-16060	Access Door, 2323 Conversion Stand	2
51-7059	Rim Assembly, 2323 Conversion Stand	1
81-2000	Adjustable Leg, 6.0", Black	4
04-2006	Hex Nut, 5/8 - 11	4

#### Kit Contents - 3023 Conversion Stand - 84-1006/01

<u>Part Number</u>	<u>Description</u>	<u>Quantity</u>
30-9791/01	Bottom Panel, 3023 Conversion Stand	1
30-9384/01	Left/Right Side Panel, 3023 Conversion Stand	2
30-16089	Support Frame, 3023 Conversion Stand	2
30-9793	Bottom Support, 3023 Conversion Stand	2
30-16088	Access Door, 3023 Conversion Stand	2
51-7068	Rim Assembly, 3023 Conversion Stand	1
81-2000	Adjustable Leg, 6.0", Black	4
04-2006	Hex Nut, 5/8 - 11	4

# Assembly Instructions

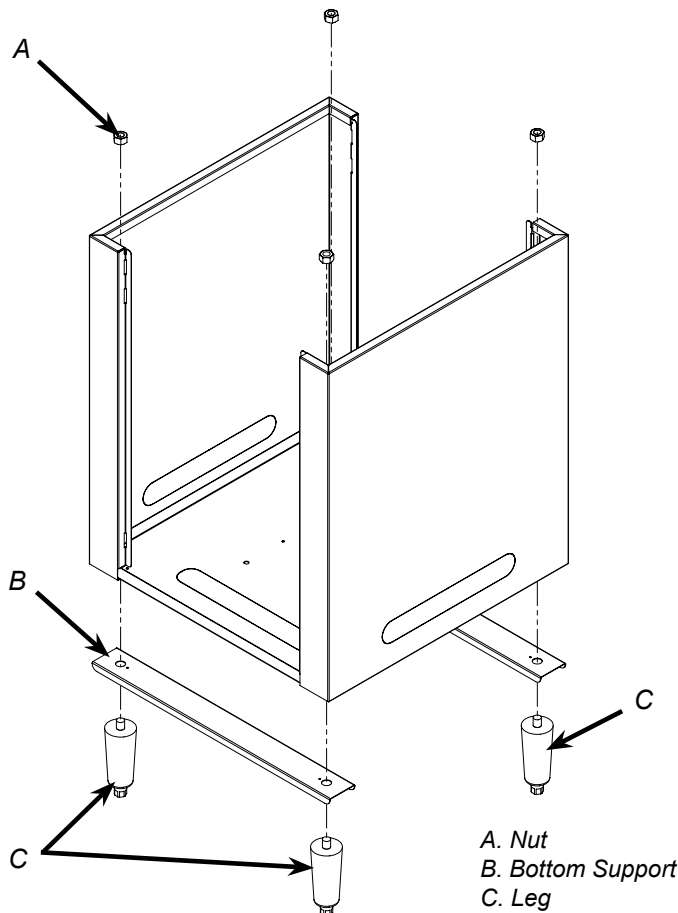
1. Slide the Bottom Panel into one of the large Left/Right Side Panels, with the nuts facing up and the access slots in the Bottom Panel perpendicular to the Side Panel.
2. Slide the second Side Panel in place on onto the Base Plate.



3. Install the Bottom Supports and four Legs using the nut connectors (Lancer PN: 04-2006) provided. Tighten legs securely.

## NOTE

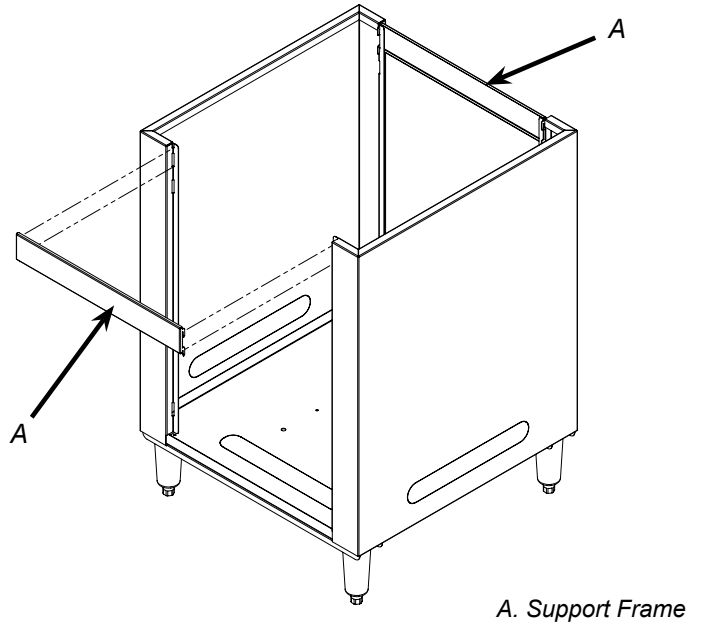
The the Support Channels run parallel to the access slots in the Base Plates.



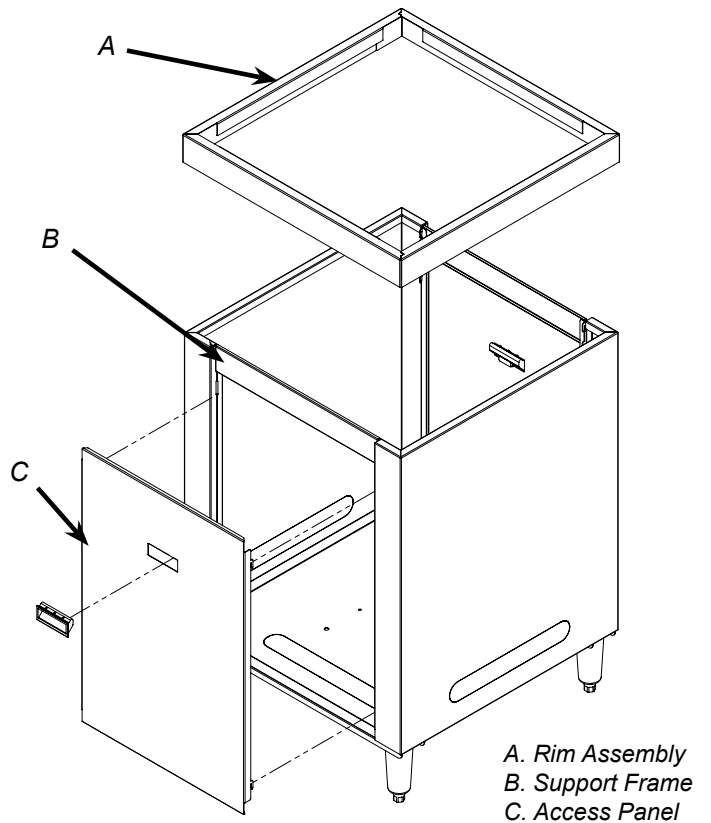
4. Install the Support Frames by engaging the tabs into the slots in the Side Panels.

## NOTE

Make sure the tabs are fully seated in the slots.

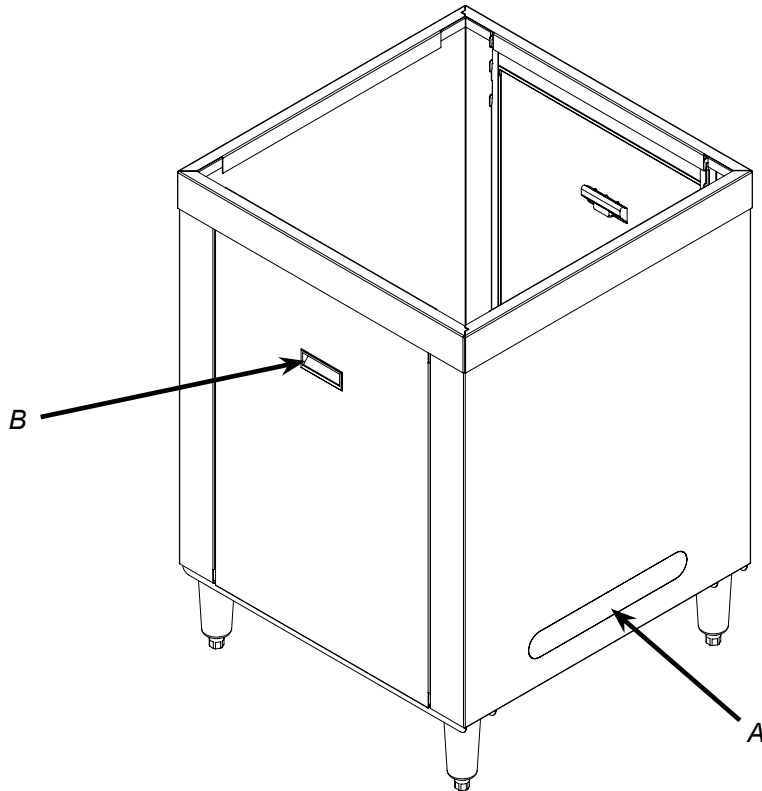


5. Install the Rim Assembly on top of the conversion stand, making sure it is fully seated onto the Side Panels.
6. Install the Access Panels by first engaging the flange on the top of the panel behind the Support Frame. Then lift up to slide the side latches into place.



**NOTE**

If the access slots in the Side Panels are to be used, remove the decal covering the slot. Transfer the protective edge guard from the bottom access slots to the side access slots to prevent damaging the tubing.



A. Decal Covering Access Slots  
B. Access Door Handle

Lancer Corp., 6655 Lancer Blvd., San Antonio, Texas 78219 - 800-729-1500 - Technical Support/Warranty: 800-729-1550  
custserv@lancercorp.com - lancercorp.com - Manual PN: 28-0597/03 - May 2018

"Lancer" is the registered trademark of Lancer © 2018 by Lancer, all rights reserved.