

# **SPARE PARTS LIST**

**for**

***Infrared oil heater***

***Model***

***VAL6***

**Type**

- ◆ KBE5S for 120V 60Hz
- ◆ KBE5L for 120V 60Hz
- ◆ KBE5L 2-step for 120V 60Hz

**May, 2017**

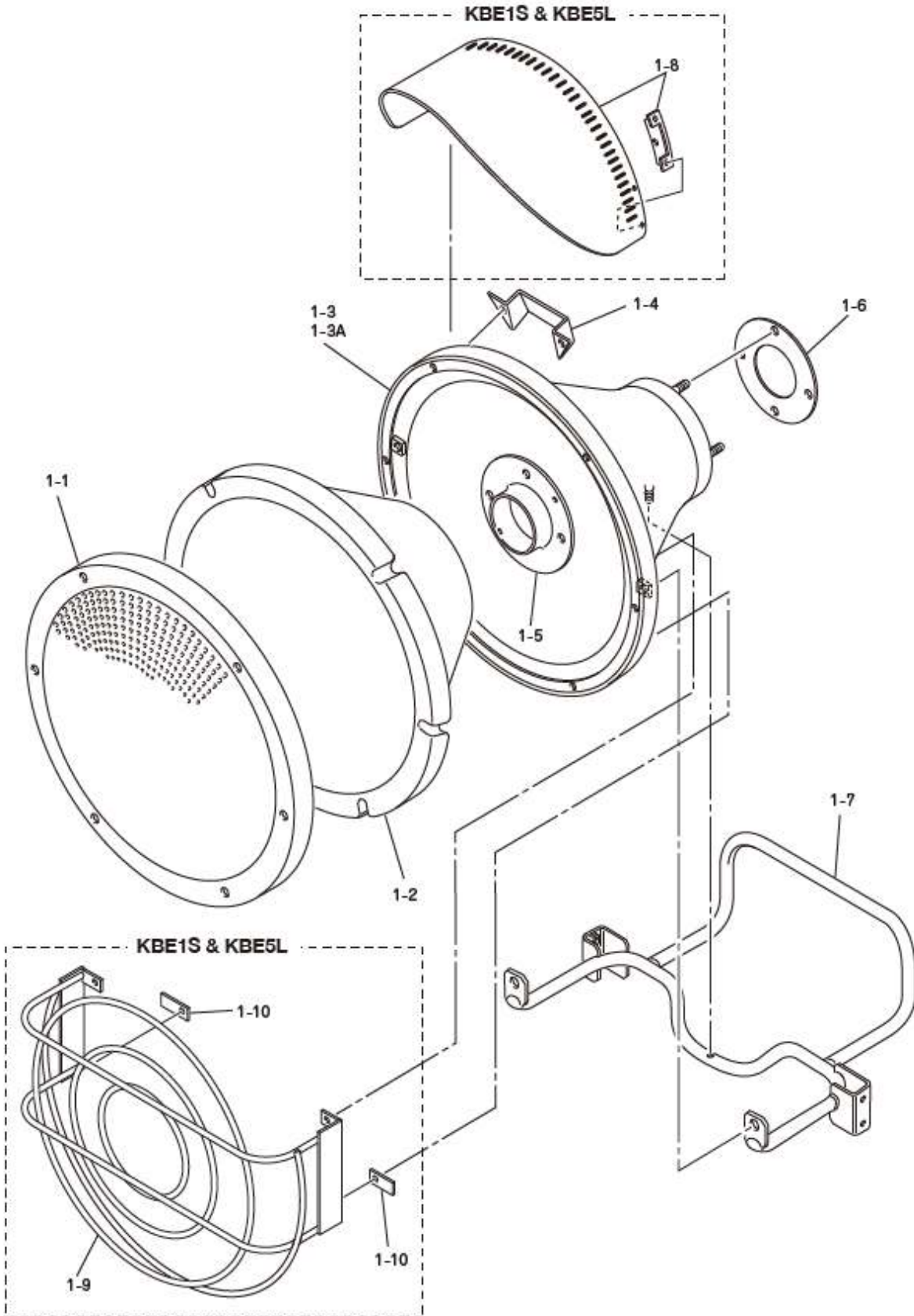
***Shizuoka Seiki Co., Ltd.***

**\* PRICES AND SPECIFICATIONS ARE SUBJECT TO CHANGE WITHOUT NOTICE\***

© 2017 J.S.O'will, Inc.. Shizuoka Seiki Co. Ltd. All Rights Reserved.

### **Serial Number History**

<b>2001-2002</b>	<b>S lot</b>
<b>2002-2003</b>	<b>R lot</b>
<b>2003-2004</b>	<b>Q lot</b>
<b>2004-2005</b>	<b>P lot</b>
<b>2005-2006</b>	<b>N lot</b>
<b>2006-2007</b>	<b>J lot</b>
<b>2007-2008</b>	<b>I lot</b>
<b>2008-2009</b>	<b>H lot</b>
<b>2009-2010</b>	<b>G lot</b>
<b>2010-2011</b>	<b>F lot</b>
<b>2011-2012</b>	<b>E lot</b>
<b>2012-2013</b>	<b>D lot</b>
<b>2013-2014</b>	<b>C lot</b>
<b>2014-2015</b>	<b>B lot</b>
<b>2015-2016</b>	<b>A lot</b>
<b>2016-2017</b>	<b>Z lot</b>
<b>2017-2018</b>	<b>Y lot</b>

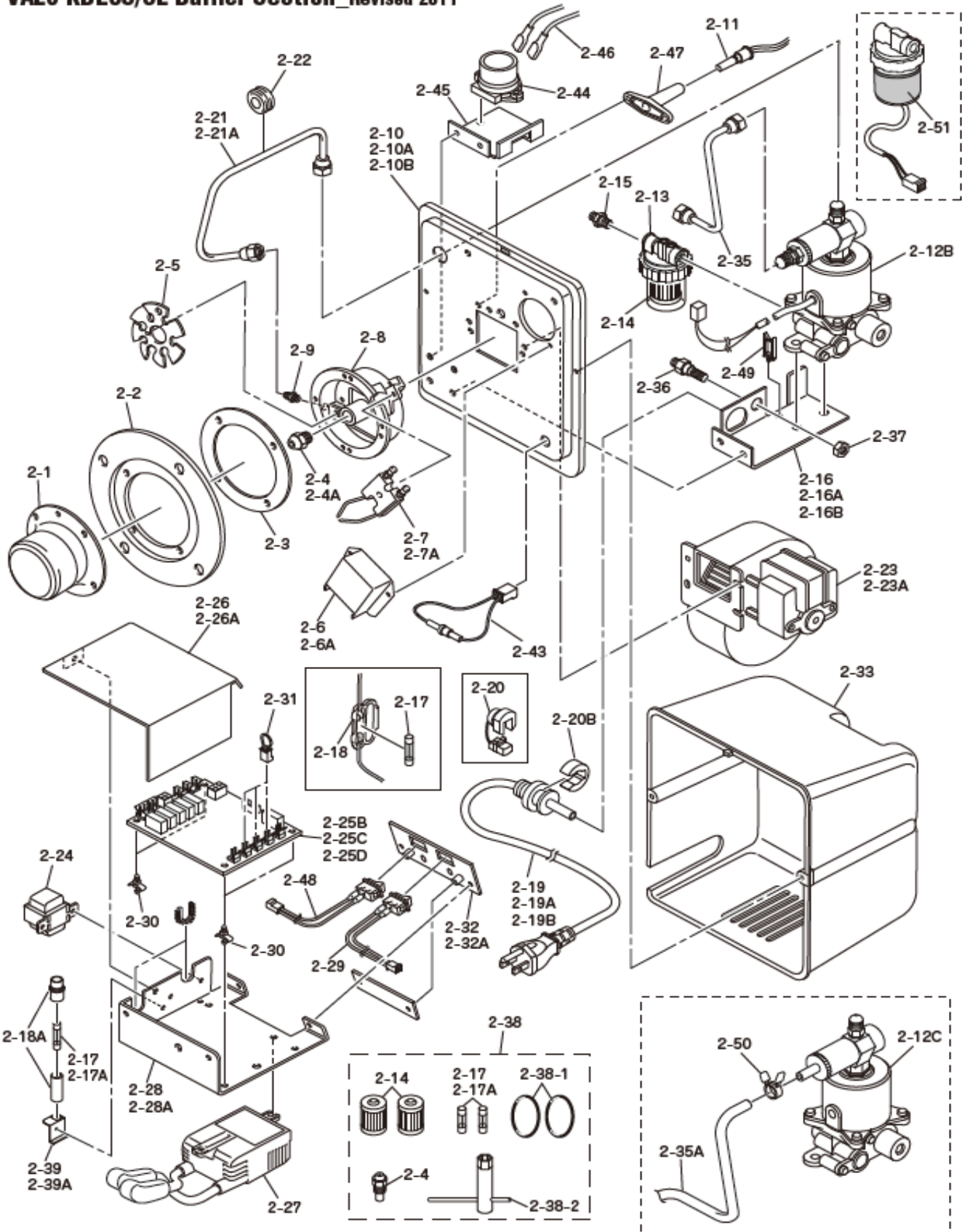


**VAL6 KBE1S/5S/5L Radiation Section\_ Revised 2011**

## VAL6 KBE-5L/S Radiation Section

PART NO.	PART NAME <RADIATION UNIT>	PART ID	CODE NO.	Q'TY	KBE5S	KBE5L	KBE5L	REMARKS
				/SET			2STEP	
1-1	RADIATION DISK	VAL-KSL-R-01	21022 0001-1	1	●	●	●	
1-2	CONICAL INSULATOR	VAL-KSL-R-02	50298 203001	1	●	●	●	
1-3	CONICAL HOUSING		50298 103003	1	N/A	N/A		5L,1S: till 2005/2006, 5S: changed to 50300180001
		VAL-KSL-R-03	50300 180001	1	●			include 1-4
1-3A	CONICAL HOUSING		50330 103004	1		N/A		Changed to 50330180001
		VAL-KSL-R-03A	50330 180001	1		●	●	include 1-4
1-4	CAUTION LABEL PLATE	VAL-KSL-R-04	50298203A05	1	●	●	●	with sticker (50300203002)
1-5	BURNER FITTING PIECE	VAL-KSL-R-05	21022 0001-5	1	●	●	●	
1-6	BURNER PACKING	VAL-KSL-R-06	50298 201016	1	●	●	●	
1-7	BURNER SUPPORT	VAL-KSL-R-07	50300 103002	1	●	●	●	
1-8	VISOR	VAL-KSL-R-08	50330 103002	1		●	●	used in units from 06/07 fixed to No.1-3A including visor fitting piece
1-9	PROTECTOR ASSEMBLY	VAL-KSL-R-09	50330 103003	1		●	●	used in units from 06/07, fixed to No.1-3A
1-10	RETAINER PLATE	VAL-KSL-R-10	50330 203006	2		●	●	used in units from 06/07, fixed to No.1-3A

# VAL6 KBE5S/5L Burner Section\_ Revised 2011



## VAL6 KBE-5L/S Burner Section

□-mark means that the parts supply period is over and there are limited numbers of stock.

PART NO.	PART NAME <BURNER>	PART ID	CODE NO.	Q'TY	KBESS	KBESL	KBESL	REMARKS
				/SET			2STEP	
2-1	BURNER CONE	VAL-KSL-B-01	50300 201017	1	●	●	●	
2-2	BURNER FLANGE	VAL-KSL-B-02	50300 201008	1	●	●	●	
2-3	DIFFUSER PACKING	VAL-KSL-B-03	50298 201020	1	●	●	●	
2-4	NOZZLE	VAL-KSL-B-04	50300 201018	1	●	●		0.85G 60°
2-4A		VAL-KSL-B-04A	50335 201038	1			●	0.75G60° from 2010/2011 F-04
2-5	WHIRL VANE	VAL-KSL-B-05	50300 201007	1	●	●	●	
2-6	ELECTRODE COVER	VAL-KSL-B-06	50298 201008	1	●	●		
2-6A		VAL-KSL-B-06A	50330 201009	1			●	from 2010/2011 F-04
2-7	ELECTRODE	VAL-KSL-B-07	50262 202010	1	□			till 2004/2005
2-7A		VAL-KSL-B-07A	50303 201010	1	●	●	●	from 2005/2006, upward compatible for 50262202010
2-8	DIFFUSER	VAL-KSL-B-08	50284 202007	1	●	●	●	
2-9	NOZZLE NIPPLE	VAL-KSL-B-09	50217 202052	1	●	●	●	
2-10	BURNER BASE	VAL-KSL-B-10	50298 201001	1	□			5S: till 2004/2005, 1S: till 2001/2002
2-10A		VAL-KSL-B-10A	50303 201012	1	●	●		5S: from 2005/2006, 1S: from 2002/2003
2-10B		VAL-KSL-B-10B	50330 201006	1			●	from 2010/2011 F-04
2-11	FLAME MONITOR COMPLETE	VAL-KSL-B-11	50262 102008	1	●	●	●	E1S: till 2005/2006 WITH 2-47 FLAME MONITOR HOLDER 5S/5L:till 2015
2-11A		VAL-KSL-B-11A	50306 101003	1	●	(spare parts only)	●	E1S:from 2006/2007 W/O FLAME MONITOR HOLDER 5S/5L: from 2016 Z-01 (This flame monitor is available for 5S//5L produced from 2006 J-01.)
2-12	FUEL PUMP without Air vent valve	VAL-KSL-B-12A	50300 201A06	1	N/A			till 2005/2006
2-12A	FUEL PUMP with Air vent valve	VAL-KSL-B-12A	50300 201006	1	N/A			till 2005/2006 changed to 50330201003
2-12B	FUEL PUMP with Air vent valve	VAL-KSL-B-12B	50330 201003	1	●	●		KBESS: from 2006/2007
2-12C		VAL-KSL-B-12C	50330 201005	1			●	from 2010/2011 F-04
2-13	FUEL FILTER COMPLETE	VAL-KSL-B-13	21021 0003-9	1	●	●	●	till 2004, from 2007 including 21021003-10
2-13A		VAL-KSL-B-13A	50204 201085	1	N/A	N/A	N/A	from 2004/2005,P-03 till 2006/02007
2-14	FILTER ELEMENT	VAL-KSL-B-14	21021 003-10	1	●	●	●	
2-14A		VAL-KSL-B-14A	50204 201082	1	N/A	N/A	N/A	from 2004/2005,P-03 till 2006/02007
2-15	FILTER NIPPLE	VAL-KSL-B-15	22031 001-43	1	●	●	●	
2-16	PUMP BRACKET	VAL-KSL-B-16	50300 201003	1	●	●		till 2006/2007
2-16A		VAL-KSL-B-16A	50300 201034	1	●	●		from 2007/2008
2-16B		VAL-KSL-B-16B	50330 201007	1			●	from 2010/2011 F-04
2-17	FUSE (3A)	VAL-KSL-B-17	50204 201061	1	□			till 2003/2004,Q-02
2-17A		VAL-KSL-B-17A	50300 201026	1	●	●	●	from 2003/2004,Q-03
2-18	FUSE HOLDER	VAL-KSL-B-18	50217 202034	1	□			till 2003/2004,Q-02
2-18A		VAL-KSL-B-18A	50300 201024	1	●	●	●	from 2003/2004,Q-03
2-19	POWER CABLE including plug	VAL-KSL-B-19	50300 201019	1	N/A			till 2003/2004,Q-02
2-19A		VAL-KSL-B-19A	50300 201027	1	N/A	N/A		from 2003/2004,Q-03 till 2004/2005
2-19B		VAL-KSL-B-19B	50300 2A1027	1	●	●	●	from 2006/2007, length 500mm include 2-20B KBESS: till 2012/2013 D-05 KBESL: till 2012/2013 D-03
2-19C		VAL-KSL-B-19C	50330 201021	1	●		●	with 2-20B KBESS: from 2013/2014 C-01 KBESL: from 2012/2013 D-04
2-20	CABLE STOPPER	VAL-KSL-B-20	50221 2A2028	1	□	□		till 2003/2004

## VAL6 KBE-5L/S Burner Section

□-mark means that the parts supply period is over and there are limited numbers of stock.

PART NO.	PART NAME <BURNER>	PART ID	CODE NO.	Q'TY	KBESS	KBESL	KBESL	REMARKS	
				/SET			2STEP		
2-20B	CABLE STOPPER	VAL-KSL-B-20B	50205 201017	1	●	●	●	from 2006/2007	
2-21	FUEL OUTLET LINE	VAL-KSL-B-21	50300 201009	1	●	●			
2-21A		VAL-KSL-B-21A	50330 201012	1			●	from 2010/2011 F-04	
2-22	PUMP NOZZLE GROMMET	VAL-KSL-B-22	21022 003-25	1	●	●	●		
2-23	FAN MOTOR	VAL-KSL-B-23	50300 201004	1	●	●			
2-23A		VAL-KSL-B-23A	50330 201013	1			●	from 2010/2011 F-04	
2-24	STEP DOWN TRANSFORMER	VAL-KSL-B-24	50300 201005	1	●	●	●		
2-25	BURNER CONTROL	VAL-KSL-B-	50291 201001	1	N/A			till 2004/2005 changed to 50321204005	
2-25A		VAL-KSL-B-	50321 204003	1	N/A	N/A		from 2005/2006 changed to 50321204005	
2-25B		VAL-KSL-B-25B	50321 204005	1	●	●		from 2006/2007	
2-25C		VAL-KSL-B-25C	50300 201032	1	●			from 2006/2007 J-04, over voltage till 2012/2013 D-05	
2-25D		VAL-KSL-B-25D	50308 201009	1			●	from 2010/2011 F-04 till 2012/2013 D-03	
2-25E		VAL-KSL-B-25E	50330 201020	1	●		●	KBESS: from 2013/2014 C-01 KBESL: from 2012/2013 D-04	
2-26	BURNER CONTROL COVER	VAL-KSL-B-26	50298 201019	1	●	●			
2-26A		VAL-KSL-B-26A	50330 201010	1			●	from 2010/2011 F-04	
2-27	IGNITION TRANSFORMER	VAL-KSL-B-27	50298 201006	1	●	●	●		
2-28	CONTROL CHASSIS	VAL-KSL-B-28	50300 201001	1	●	●		from 2007/2008 I-01 include 2-39 Fuse holder bracket	
2-28A		VAL-KSL-B-28A	50330 201008	1			●		
2-29	SWITCH ASSEMBLY	VAL-KSL-B-29	50299 104005	1	●	●	●	KBESS: till 2012/2013 D-05 KBESL: till 2012/2013 D-03	
2-29A		VAL-KSL-B-29A	50300 101008	1	●			from 2013/2014 C-01, with cord	
2--29B	OPERATION SWITCH	VAL-KSL-B-29B	50254 204006	1			●	from 2012/2013 D-04, without cord	
2-30	CONTROL SUPPORT	VAL-KSL-B-30	50229 201037	4	●	●	●		
2-31	SHORT CIRCUIT CORD	VAL-KSL-B-31	50249 203047	3	●			5S: till 2004/05, 1S: till 2001/02	
				1	●	●		from 2005/2006	
				0	N/A	N/A		5S&5L; from '06/'07(I-01 lot) NO short circuit cord is needed	
2-32	FACE PLATE	VAL-KSL-B-32	50300 201002	1	N/A	N/A		till 2007, KBESS changed to 50300101006, 5L/1S changed to 50303101006	
		VAL-KSL-B-32A	50300 101006	1	●			from 2008 with face label, 3-LED till 2012/2013 D-05	
		VAL-KSL-B-32	50303 101006	1		●		from 2008 with face label	
		2-32A	VAL-KSL-B-32B	50330 101006	1			●	from 2010/2011 F-04
		2-32B	VAL-KSL-B-32C	50300 101007	1	●			from 2013/2014 C-01
2-33	BURNER COVER	VAL-KSL-B-33	50300 101005	1	●			from 2006/2007 black color	
		VAL-KSL-B-33V	50330 101002	1		●	●	from 2006/2007 black color	
2-35	RETURN LINE	VAL-KSL-B-35	50300 201014	1	●	●			
2-35A		VAL-KSL-B-35A	50330 201016	1			●	from 2010/2011 F-04	
2-36	RETURN LINE NIPPLE	VAL-KSL-B-36	50300 201015	1	●	●	●		
2-37	NIPPLE FITTING NUT	VAL-KSL-B-37	21300 503-58	1	●	●	●		
2-38	REPAIR SET	VAL-KSL-B-38A	50300 103-83	1	●	●			
		VAL-KSL-B-38C	50330 180003				●		

## VAL6 KBE-5L/S Burner Section

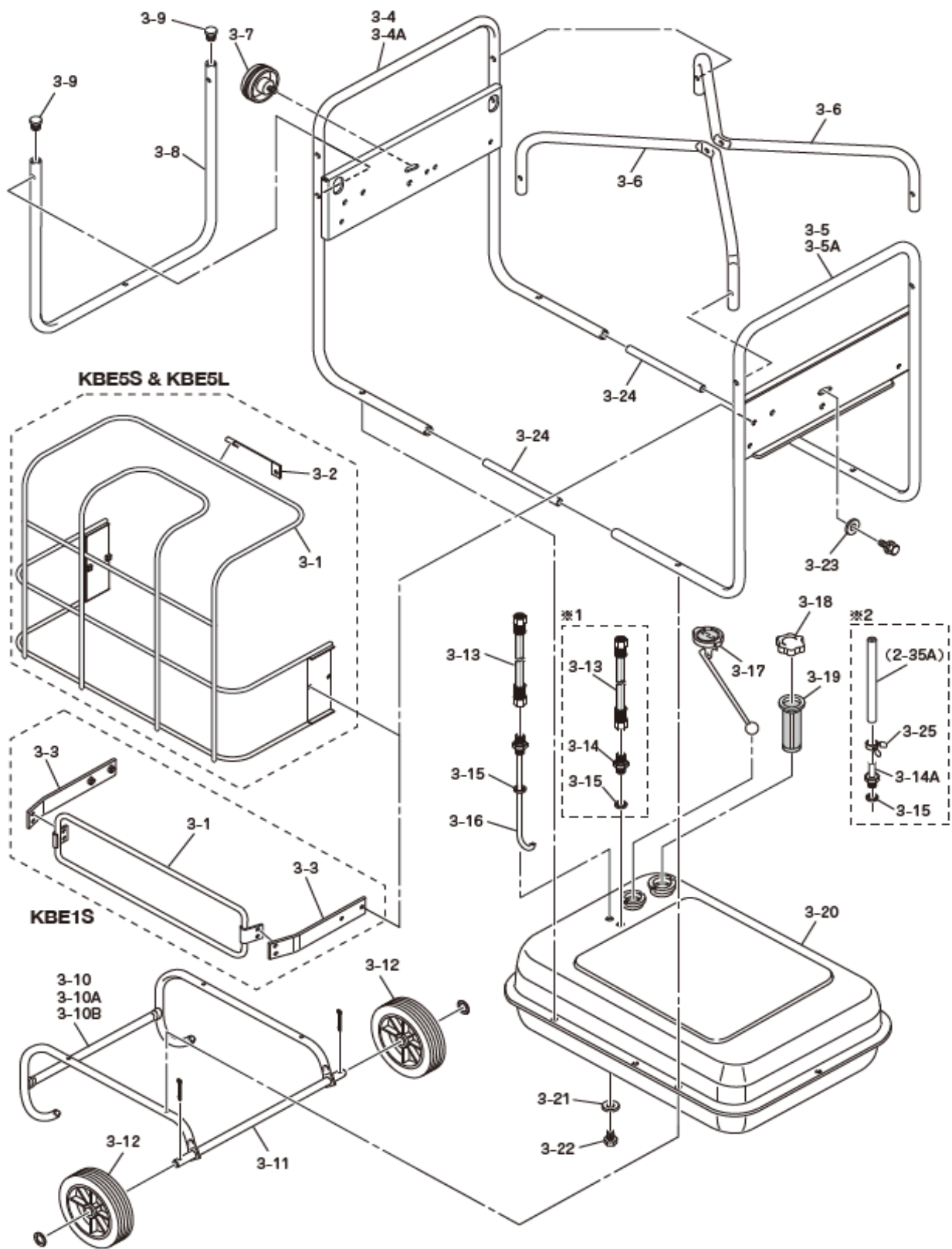
□-mark means that the parts supply period is over and there are limited numbers of stock.

PART NO.	PART NAME <BURNER>	PART ID	CODE NO.	Q'TY	KBESS	KBE5L	KBESL	REMARKS
				/SET			2STEP	
2-38-1	O-RING	VAL-KSL-B-38-1	21021 003-13		●	●	●	
2-38-1A		VAL-KSL-B-38-1A	50204 201083		N/A	N/A		from 2004/2005 P-03, changed to 21021003-13
2-38-2	NOZZLE SPANNER	VAL-KSL-B-38-2	21022 003-68		●	●	●	
2-39	FUSE HOLDER BRACKET	VAL-KSL-B-39	50300 201025	1	●	●		FROM 2003/2004, Q-03 In case for product before 2002/2003, M4x8FT truss screw is required. Discontinued from 2007/2008 I-01
2-39A		VAL-KSL-B-39A	50330 201014	1			●	from 2010/2011 F-04
2-43	THERMOSTAT CABLE	VAL-KSL-B-38B	50300 201029	1	●	●	●	from 2005/2006 KBESS: till 2012/2013 D-05 KBE5L: till 2012/2013 D-03
2-43A		VAL-KSL-B-38C	50330 201023	1	●		●	KBESS: from 2013/2014 C-01 KBE5L: from 2012/2013 D-04
2-44	TIP-OVER SWITCH	VAL-KSL-B-44	50298 202015	1	●	●	●	
2-45	TIP-OVER SWITCH BRACKET	VAL-KSL-B-45	50300 201035	1	●	●	●	
2-46	TIP-OVER SWITCH CORD	VAL-KSL-B-46	50300 201036	1	●	●	●	KBESS: till 2012/2013 D-05 KBE5L: till 2012/2013 D-03
2-46A		VAL-KSL-B-46A	50330 201024	1	●		●	KBESS: from 2013/2014 C-01 KBE5L: from 2012/2013 D-04
2-47	FLAME MONITOR HOLDER	VAL-KSL-B-47	50262 202029	1	●	●	●	
2-48	CHANGE-OVER SWITCH	VAL-KSL-B-48	50299 104006	1			●	from 2010/2011 F-04, with cord
2-48A		VAL-KSL-B-48A	50254 204007	1			●	from 2012/2013 D-04, without cord
2-49	WIRE BINDING	VAL-KSL-B-49	50810 201055	1			●	from 2010/2011 F-04
2-50	HOSE CLAMP	VAL-KSL-B-50	50319 202016	1			●	from 2010/2011 F-04 (same as 3-25)
2-51	STRAINER HEATER ASSEMBLY (with head & Ring)	VAL-KSL-B-51	50330 101009	1			●	from 2010/2011 F-04, till D-03
2-52A		VAL-KSL-B-51A	50330 101011	1			●	from 2012/2013 D-04
2-52	OPERATION & CHANGE-OVER SWITCH CORD	VAL-KSL-B-52	50330 201025	1			●	from 2012/2013 D-04

### Option

	STRAINER HEATER (with Ring, w/o head)	VAL-KSL-B-51	50330 180002	1	●	●	●	5S: till D lot, 5L: till F-03, 5L 2-step: from F-04 till D-03
		VAL-KSL-B-51A	50330 180004	1	●		●	5S: from C lot, 5L 2-step: from D-04





VAL6 KBE1S/5S/5L Tank Section Revised 2011

## VAL6 KBE-5L/S Tank Section

□-mark means that the parts supply period is over and there are limited numbers of stock.

PART NO.	PART NAME <FUEL TANK>	PART ID	CODE NO.	Q'TY /SET	KBE5S	KBE5L	KBESL 2STEP	REMARKS
3-1	PROTECTOR ASSEMBLY	VAL-KSL-T-01	50300 102007	1	●	●		5L: used in units till 2005/2006
3-2	PROTECTOR SUPPORT	VAL-KSL-T-02	50300 202007	1	●			
		VAL-KSL-T-02V	50330 202013	1		□		used in units till 2005/2006
3-4	FRAME (R)	VAL-KSL-T-04	50300 102004	1	●			from 2007/2008 sharp edged pipe,
		VAL-KSL-T-04V	50330 102004	1		●		no need for 3-24 pipe connection
3-4A		VAL-KSL-T-04A	50330 102009	1		●	●	from 09/10 G-02 lot
3-5	FRAME (L)	VAL-KSL-T-05	50300 102005	1	●			from 2007/2008 sharp edged pipe,
		VAL-KSL-T-05V	50330 102005	1		●		no need for 3-24 pipe connection
3-5A		VAL-KSL-T-05A	50330 102010	1		●	●	from 09/10 G-02 lot
3-6	FRAME CONNECTION PIPE	VAL-KSL-T-06	50303 202006	2	●			
		VAL-KSL-T-06V	50330 202007	2		●	●	
3-7	KNOB BOLT	VAL-KSL-T-07	50229 202074	1	●	●	●	
3-8	HANDLE	VAL-KSL-T-08	50300 202004	1	●			
		VAL-KSL-T-08V	50330 202008	1		●	●	
3-9	PIPE END CAP	VAL-KSL-T-09	50298 202013	2	●			
		VAL-KSL-T-09V	50330 202009	2		●	●	
3-10	TANK LEG	VAL-KSL-T-10	50300 102006	1	●			5S;till 2003/2004, 1S;till 2006/2007
3-10A		VAL-KSL-T-10A	50300 102011	1	●			5S;from 2004/2005, 1S;from 2007/2008
3-10B		VAL-KSL-T-10B	50330 102006	1		●	●	
3-11	WHEEL SHAFT	VAL-KSL-T-11	50300 202008	1	●			
3-12	WHEEL	VAL-KSL-T-12	50201 204006	2	●	●	●	
3-13	FUEL HOSE	VAL-KSL-T-13	50300 202009	2	●	●		
		1				●	from 2010/2011 F-04	
3-14	RETURN NIPPLE	VAL-KSL-T-14	50212 205004	2	●	●		
3-14A	FLANGE CONNECTION	VAL-KSL-T-14A	50330 202022	1			●	from 2010/2011 F-04
3-15	SUCTION PACKING	VAL-KSL-T-15	21650 100207	2	●	●	●	
3-16	SUCTION PIPE ASSEMBLY	VAL-KSL-T-16	50300 102008	1	●			including 3-14 & 3-15
		VAL-KSL-T-16V	50330 102007	1		●	●	
3-17	FUEL GAUGE	VAL-KSL-T-17	50300 202018	1	●			till 2016/07
		VAL-KSL-T-17V	50278 102003	1		●	●	till 2016/07
		VAL-KSL-T-17A	50302 203002			●		from 2017/18
		VAL-KSL-T-17W	50298 202019				●	from 2017/18
3-18	TANK CAP	VAL-KSL-T-18	50221 103003	1	●	●	●	
		VAL-KSL-T-18	50335 102008	1	●	●	●	from 2016 Z-01
3-19	TANK INLET FILTER	VAL-KSL-T-19	22011 0002-8	1	●	●		till 2007/08

## VAL6 KBE-5L/S Tank Section

□-mark means that the parts supply period is over and there are limited numbers of stock.

PART NO.	PART NAME <FUEL TANK>	PART ID	CODE NO.	Q'TY /SET	KBE5S	KBE5L	KBE5L 2STEP	REMARKS
3-20	FUEL TANK	VAL-KSL-T-20	50300 102002	1	-			1S:with 3-17, 3-18, 3-19, 3-21 & 3-22 5S&5L: with 3-17, 3-18, 3-21 & 3-22
			50330 102002	1		-	-	
		VAL-KSL-T-20A	50300 102010	1	●			replacement for 50300102002
		VAL-KSL-T-20V	50330 102011	1		●	●	replacement for 50330102002
3-21	DRAIN PACKING	VAL-KSL-T-21	50231 204021	1	●	●	●	M16
3-22	DRAIN BOLT	VAL-KSL-T-22	50231 204020	1	●	●	●	M16
3-23	GASKET	VAL-KSL-T-23	21300 5002-9	1	●	●	●	M8
3-24	PIPE CONNECTION	VAL-KSL-T-24	50300 202025	2	●			from 2004/2005 P-02, Discontinued from 2007/2008 I-01
		VAL-KSL-T-24A	50330 202016	2		●		Discontinued from 2007/2008 I-01
3-25	HOSE CLAMP	VAL-KSL-T-25	50319 202016	1			●	from 2010/2011 F-04 (same as 2-50)

### Option

	SHIELDING MAT(10pieces pack)	VAL-MAT	50300 205001					
	GUARD FENCE	VAL-FENCE	50300 106001					