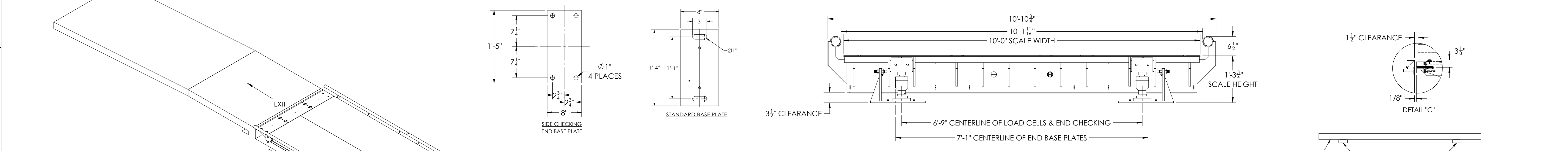
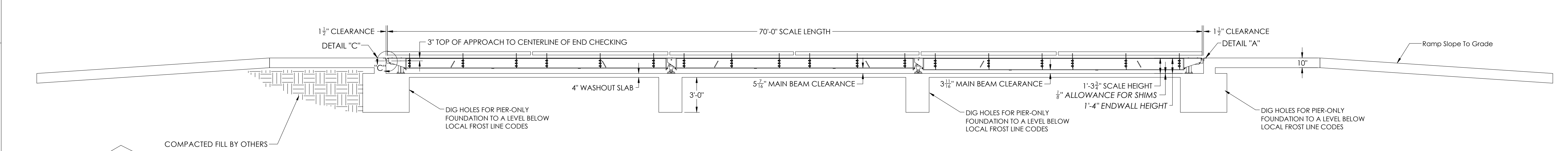
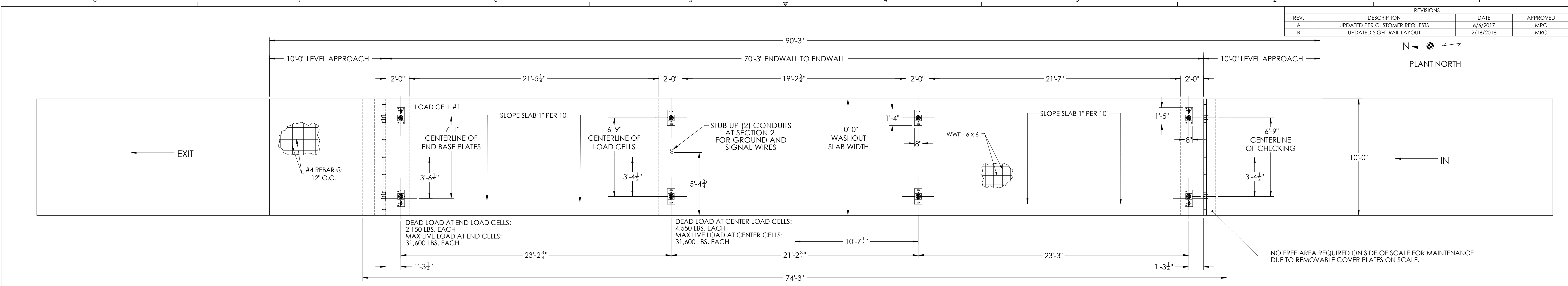


REVISIONS			
REV.	DESCRIPTION	DATE	APPROVED
A	UPDATED PER CUSTOMER REQUESTS	6/16/2017	MRC
B	UPDATED SIGHT RAIL LAYOUT	2/16/2018	MRC



- FOUNDATION NOTES:**
- THE FOUNDATION SHOWN IS A RECOMMENDED MINIMUM FOUNDATION BY B-TEK SCALES. YOUR LOCAL WEIGHTS AND MEASURES SPECIFICATIONS AND REQUIREMENTS MAY DIFFER FROM THAT SHOWN. IT IS THE SOLE RESPONSIBILITY OF THE FOUNDATION CONTRACTOR AND/OR CUSTOMER TO DEFINE THOSE REQUIREMENTS PRIOR TO FOUNDATION CONSTRUCTION. B-TEK IS NOT LIABLE FOR COMPLIANCE TO ANY PARTICULAR STATE, COUNTY, CITY, OR LOCAL MUNICIPALITY SPECIFICATIONS.
  - THE FOUNDATION REBAR DETAILS SHOWN ARE SUGGESTED TYPICAL CONFIGURATIONS. ACTUAL REBAR CONFIGURATIONS WILL VARY DEPENDING ON THE FOUNDATION CONTRACTOR'S TYPICAL PRACTICES. BECAUSE OF THIS, NO "STANDARD" REBAR SCHEDULE IS PROVIDED. CONSULT YOUR LOCAL WEIGHTS & MEASURES SPECIFICATIONS AND/OR CIVIL ENGINEERING FIRM FOR PARTICULAR QUESTIONS REGARDING REBAR IN YOUR PLAN.
  - FOUNDATION DESIGN BASED ON MINIMUM SOIL BEARING CAPACITY OF 3000 LB/FT<sup>2</sup>.
  - FOUNDATION TO BE INSTALLED TO INSURE PROPER DRAINAGE AWAY FROM SCALE.
  - REINFORCING STEEL TO CONFORM TO ASTM A615 GRADE 60 SPECIFICATIONS. #4 (1/2" DIA.) REBAR IS STANDARD.
  - CONCRETE OF 4000 PSI COMPRESSIVE STRENGTH REQUIRED.
  - PIERS MUST BE LEVEL AND IN THE SAME PLANE WITHIN +/- 1/8".
  - EXCAVATION, FORMS, REINFORCING STEEL, BUMPER CHECKING PLATES AND CONCRETE FURNISHED BY OTHERS.
  - ANCHOR BOLTS TO BE DRILLED AT TIME OF INSTALLATION. REQUIRES 3/4" DIA. X 7" LONG REDHEAD TYPE ANCHOR BOLTS. MAKE SURE PIER REBAR DOES NOT INTERFERE WITH ANCHOR BOLTS.
  - CONCRETE DECK SCALES: ON "TECD-SL" AND "ETIC" SERIES SCALES, DECK SHEETING, REBAR, AND MUDHOOKS ARE SUPPLIED, AND ARE FACTORY INSTALLED BY B-TEK. ON ALL OTHER SERIES OF SCALES, DECK SHEETING AND REBAR ARE NOT SUPPLIED, UNLESS SPECIALLY ORDERED IN ADDITION TO THE SCALE, AND ARE INSTALLED ON-SITE BY OTHERS.
  - DECK COPING WITH MUDHOOKS IS SUPPLIED AS STANDARD ON CONCRETE DECK PIT SERIES SCALES. TO BE INSTALLED ON-SITE BY OTHERS. SEE DETAIL DRAWING FOR INSTALLATION SPECIFICS.
  - EXCAVATION: 11.50 CUBIC YARDS FOR WASHOUT SLAB. DIG HOLE APPROXIMATELY 7' X 12' X 4' DEEP FOR WASHOUT SLAB. DIG HOLES FOR PIER-ONLY FOUNDATION TO A LEVEL BELOW LOCAL FROST LINE CODES. SAW CUT ALL CONCRETE OR ASPHALT BEFORE REMOVING.
  - APPROXIMATE CONCRETE REQUIREMENTS: WASHOUT SLAB: 7.75 CUBIC YARDS. END WALLS: 0.50 CUBIC YARDS. APPROACH SLABS: 6.25 CUBIC YARDS.
  - WEIGHT OF LARGEST BRIDGE MODULE: 9,750 LBS.
  - FOUNDATION TOLERANCES: WIDTH: +1/4", -0". LENGTH: +3/8", -0". HEIGHT: +1/8", -0".

