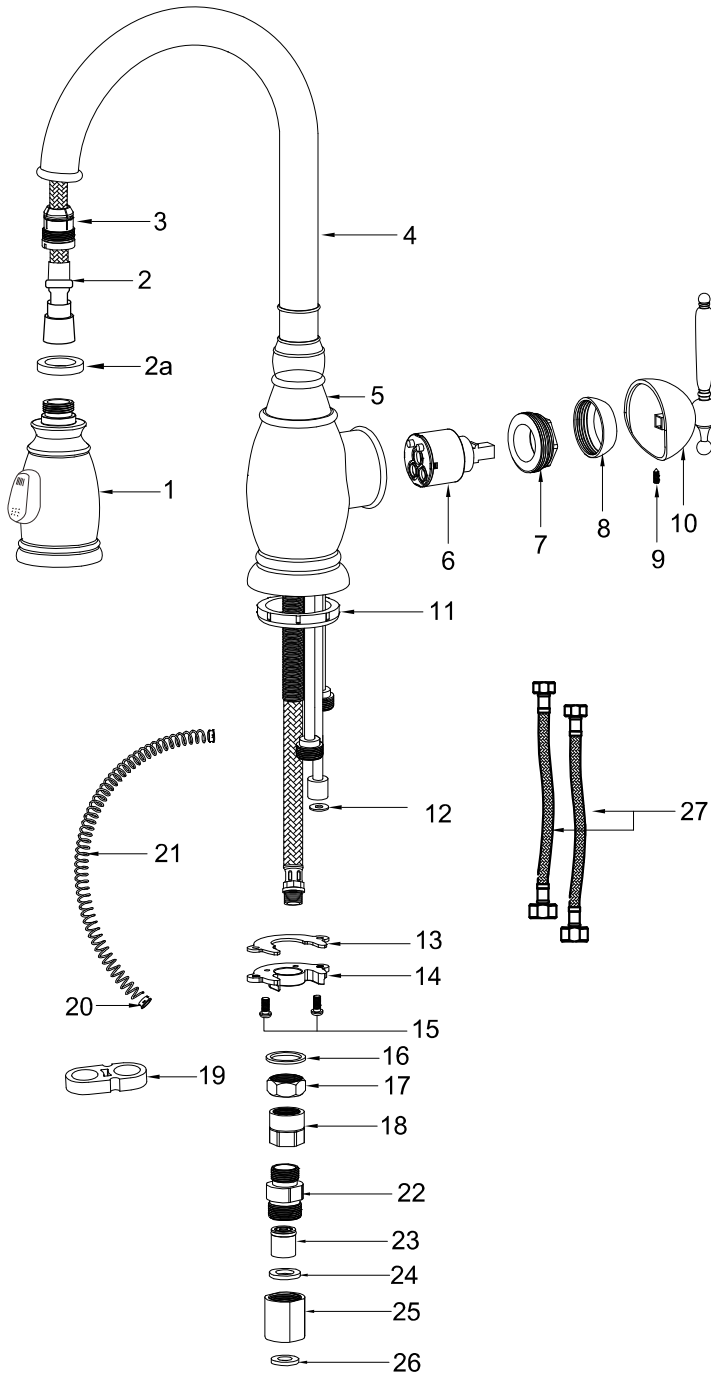


Replacement Parts

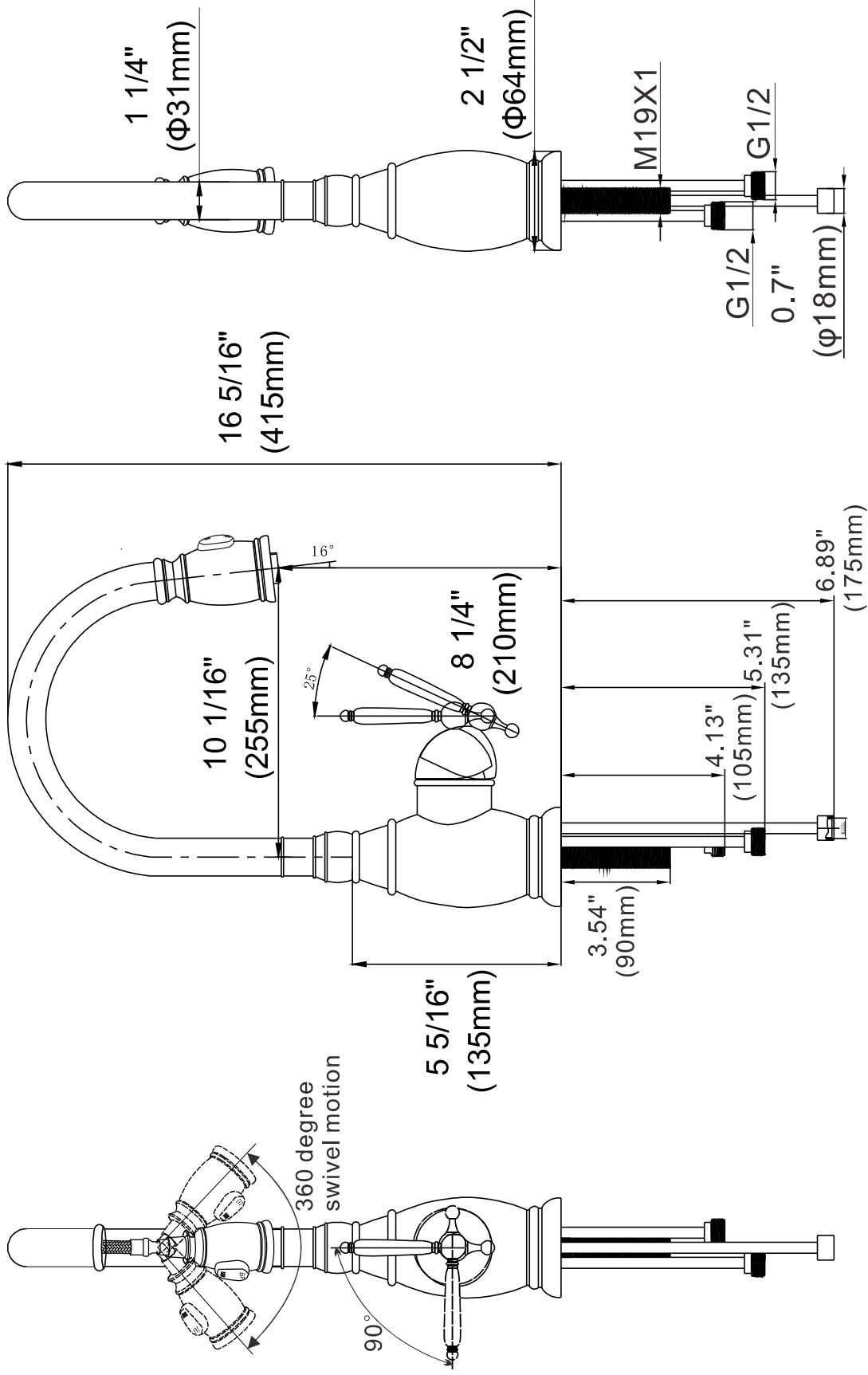
Keep this manual for ordering replacement parts.



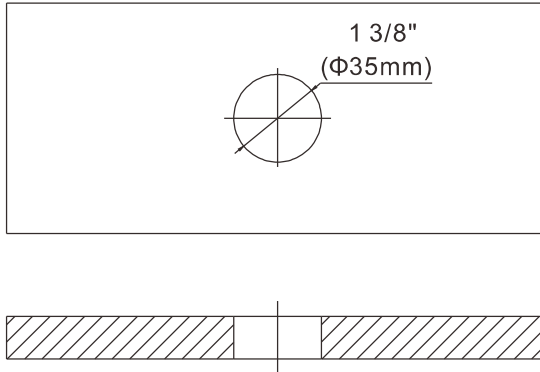
1. Sprayer head
2. Swivel Hose
- 2a. Hose Washer
3. Neck Insert
4. Neck
5. Faucet Body
6. Cartridge
7. Cartridge Nut
8. Cartridge Cover
9. Handle Set Screw
10. Control Handle
11. Bottom Gasket
12. Hose Tub Washer
13. Mounting Rubber
14. Mounting Bracket
15. Set Screws
16. Mounting Washer
17. Mounting Nut
18. Hose Protector
19. Spring Holder
20. Friction Ring
21. Spring
22. Sleeve Nut
23. Check Valve
24. Flat Gasket
25. Sleeve
26. Flat Gasket
27. Hot & Cold Waterlines

**SB-6060 Hamilton
Solid Stainless Steel Pull-Out Faucet**

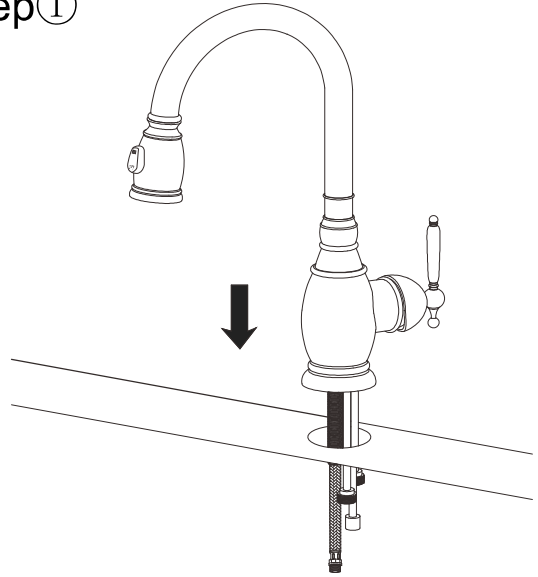
Product Dimension Drawing



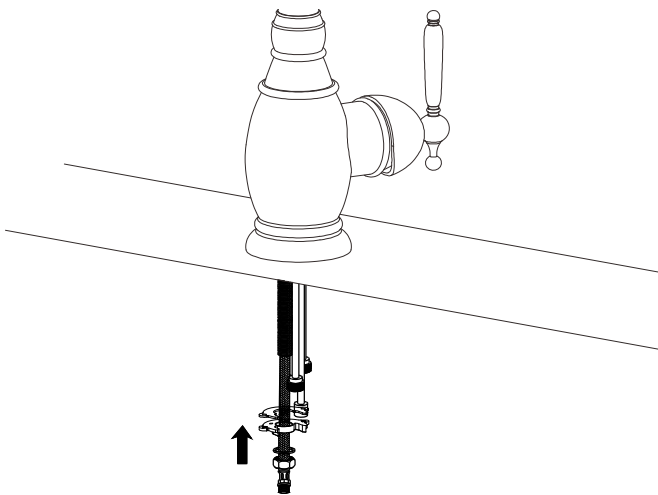
Faucet Installation Procedures



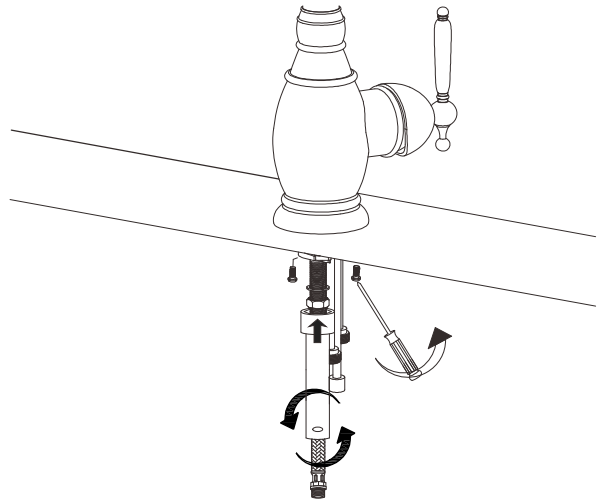
Step ①



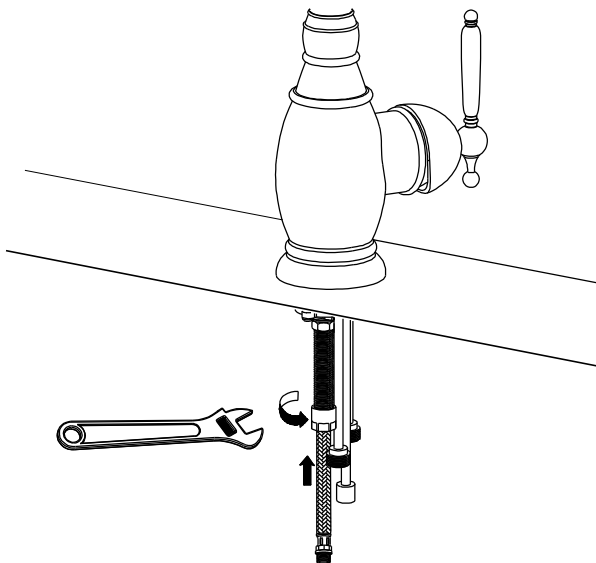
Step ②



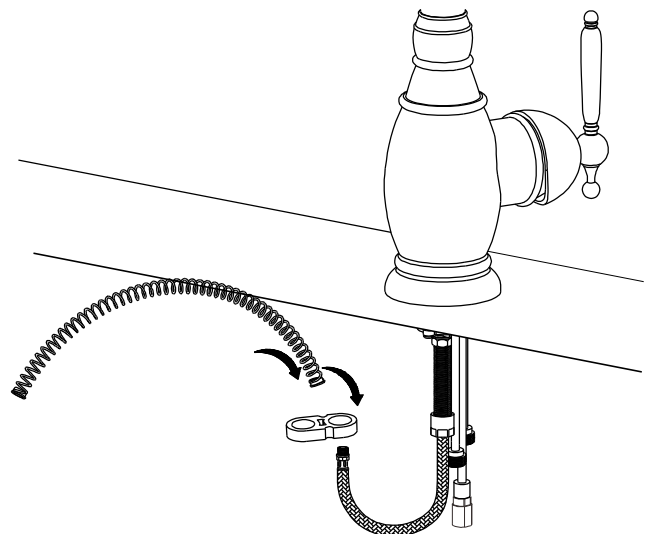
Step ③



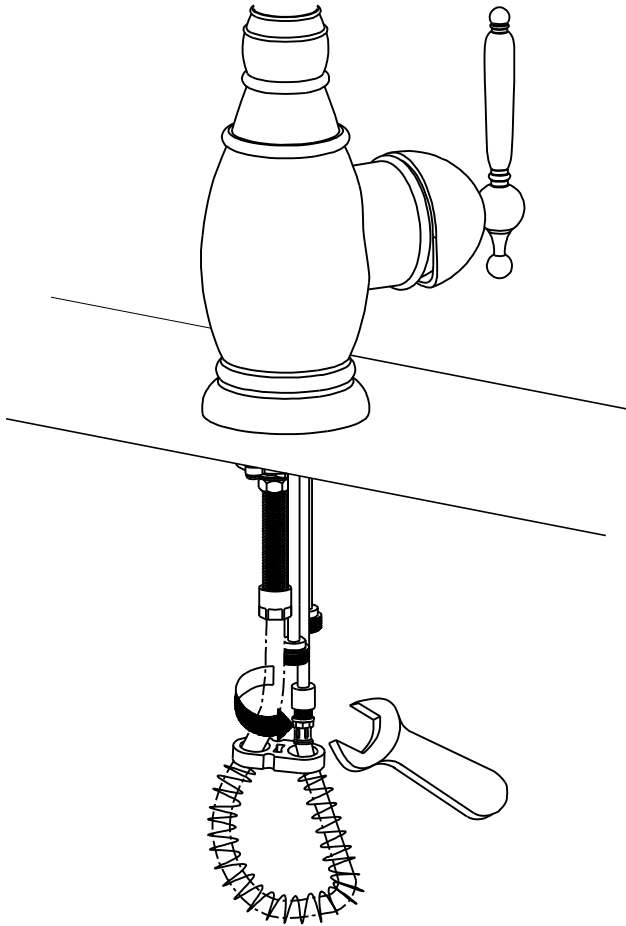
Step ④



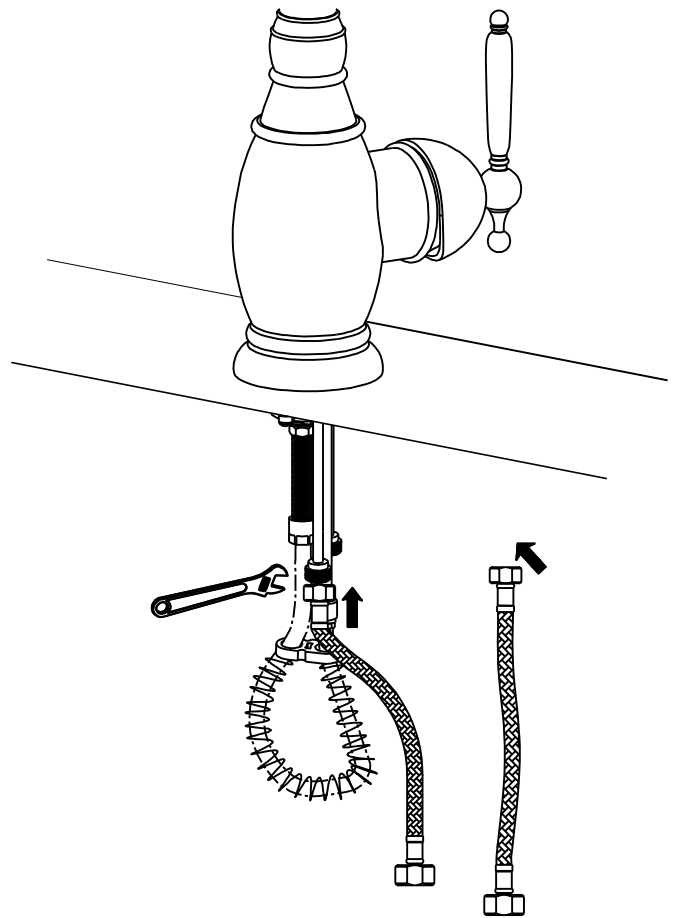
Step ⑤



Step ⑥



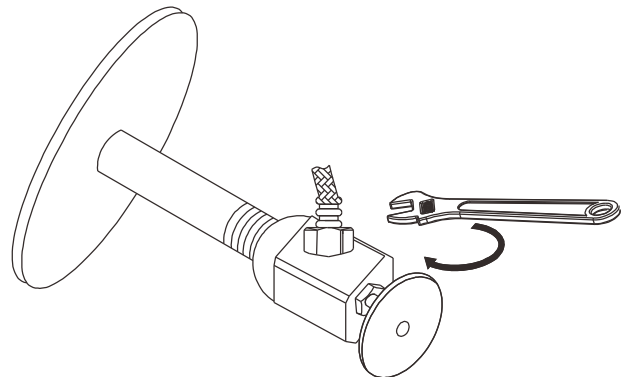
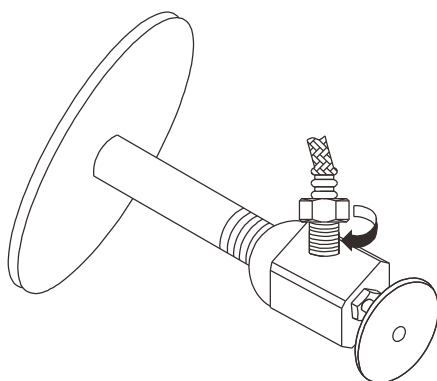
Step ⑦



Step ⑧

Caution!!

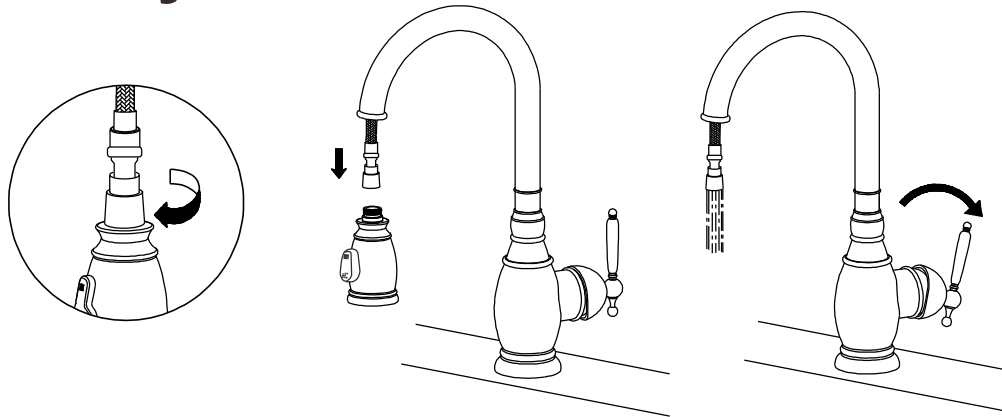
Flush construction debris out of water valves and pipes BEFORE connecting water lines.



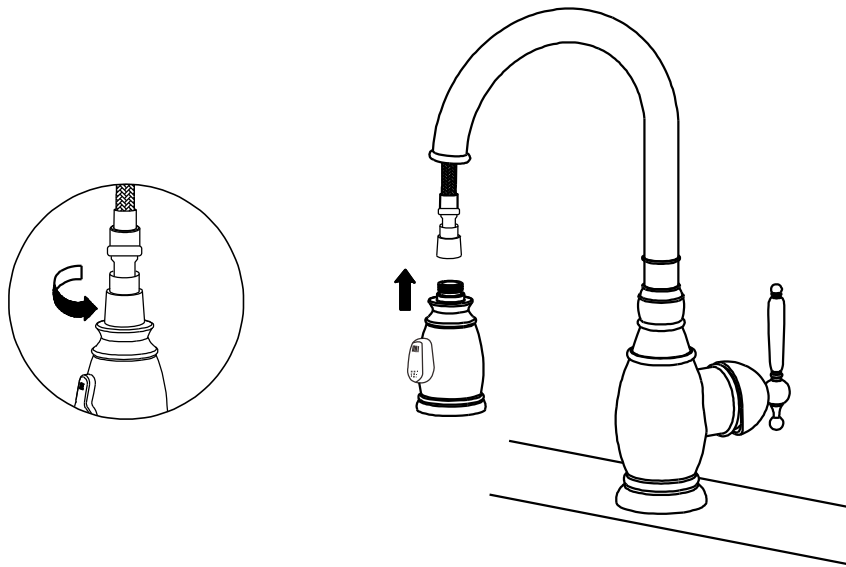
Step ⑨

Caution!!

Do not lose hose washer!
Remove head and final flush cartridge,
faucet body and hose.



Step ⑩



Step ⑪

