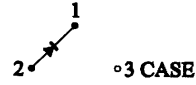


Pin Connections

BOTTOM VIEW

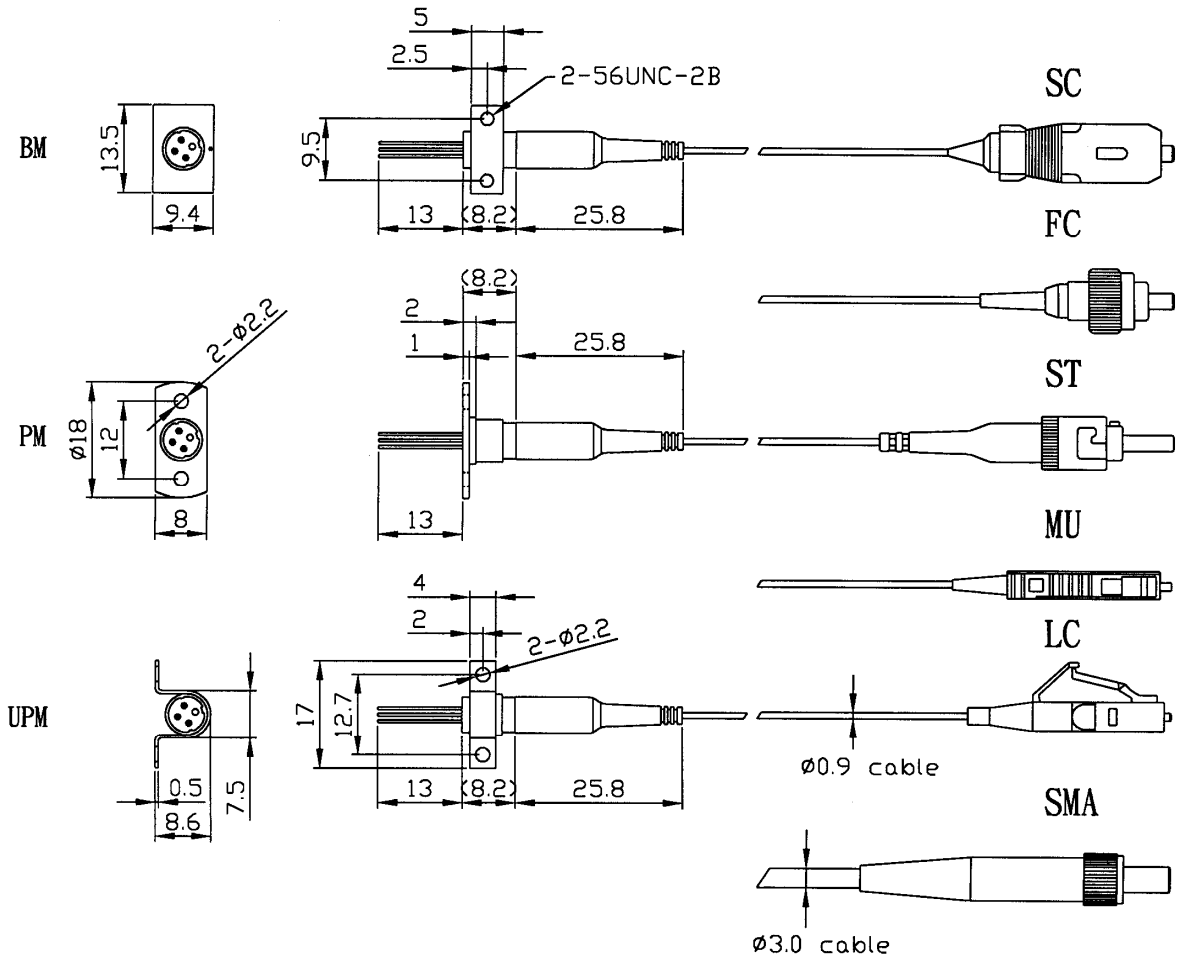


UNIT : MM



Dimension

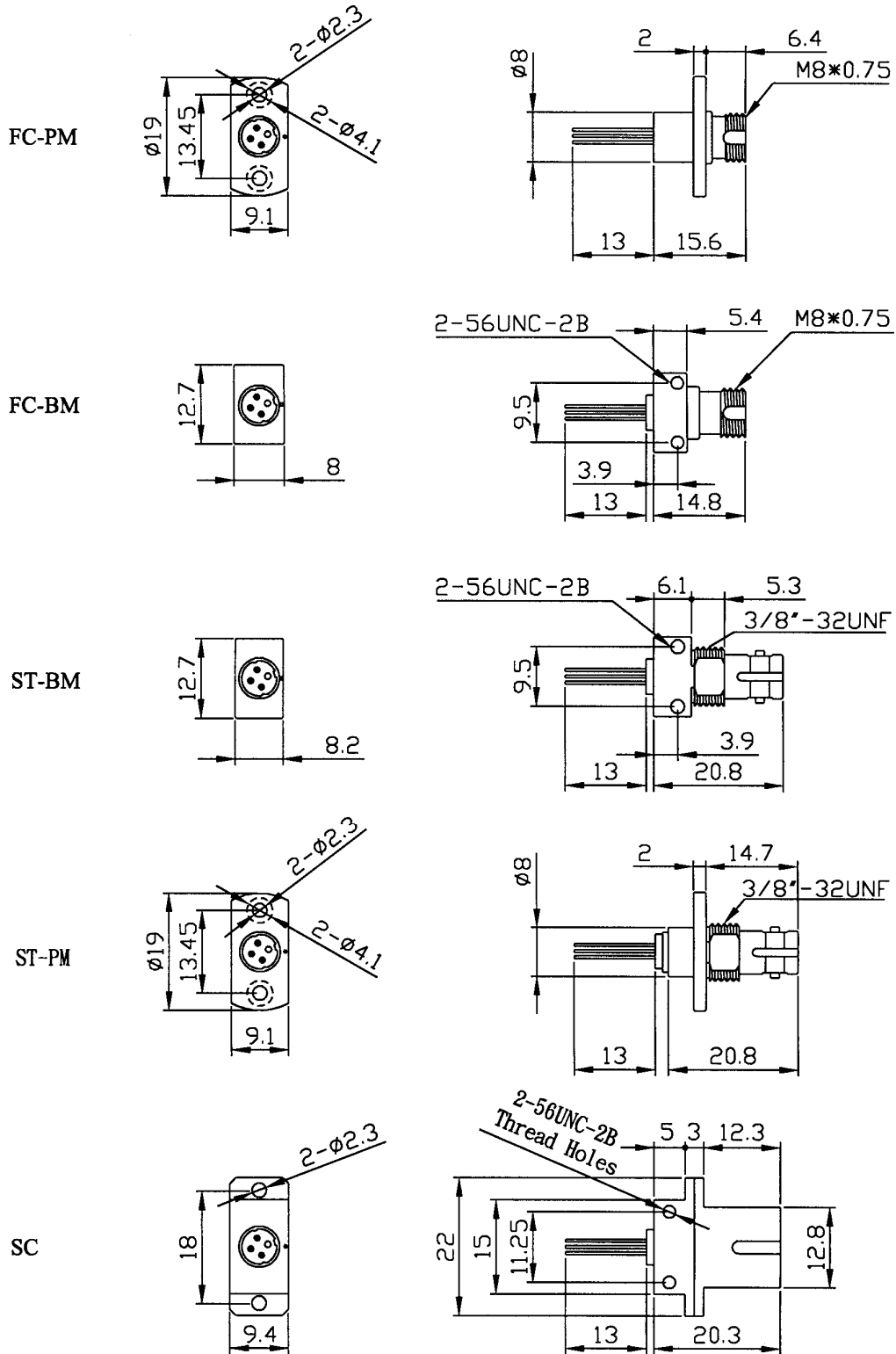
Pigtail Type



1300nm LED Module – Wide Temperature

Receptacle Type

1300 nm LED Module

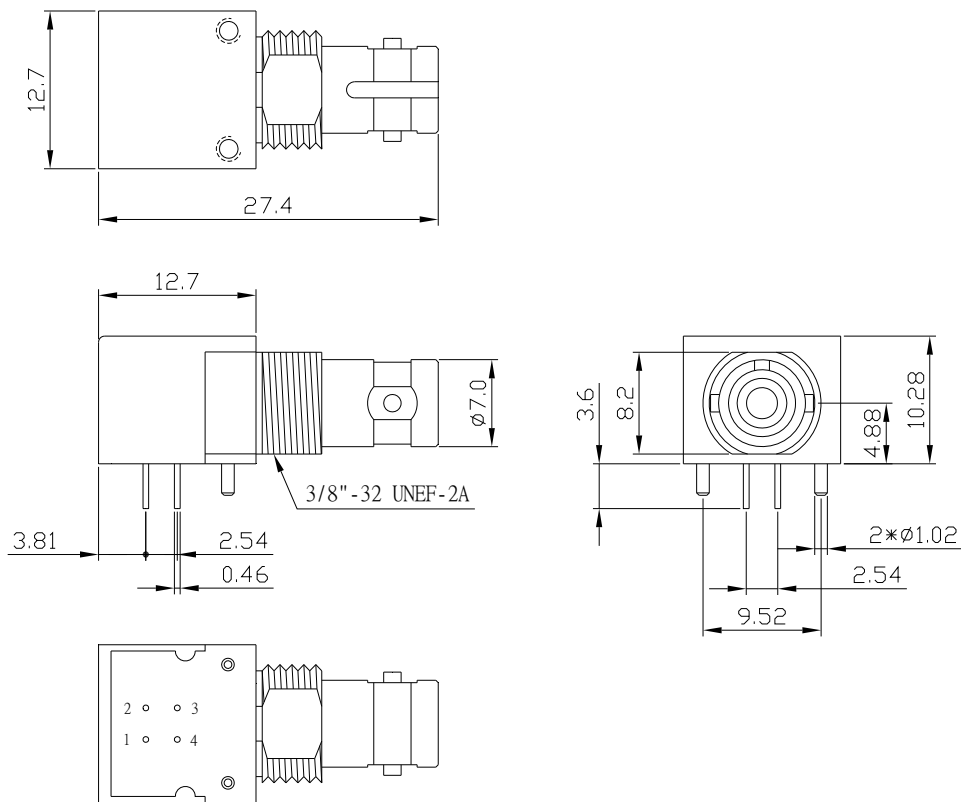


Sugar Cube

Pin Connections

| PIN No. | FUNCTION |
|---------|----------|
| 1 | ANODE |
| 2 | CATHODE |
| 3 | ANODE |
| 4 | ANODE |

Dimension (ST Receptacle) Unit mm



Units:mm

1300nm LED Module – Wide Temperature

