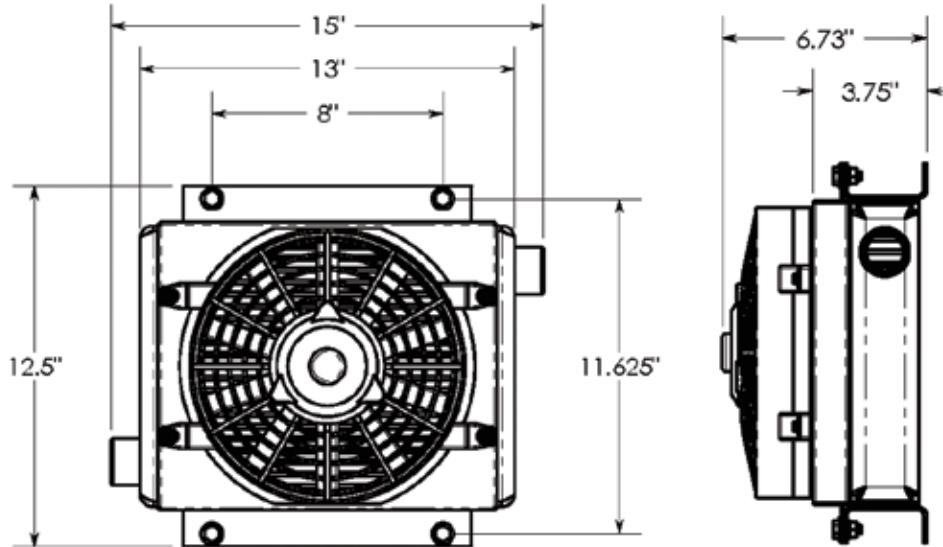
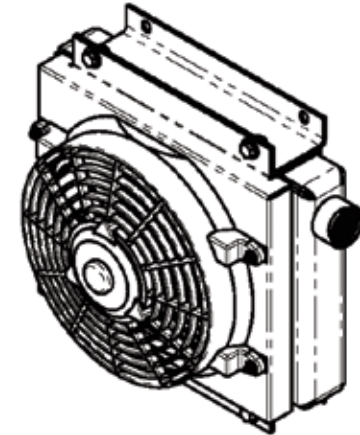


DIMENSIONS



APPEARANCE



SPECIFICATIONS

Flow Range (GPM): 10 - 40
 Heat Rejection Range (BTU/Hr):
 23,000 - 25,000
 Fitting Size:.....#16 SAE ORB

Material

Aluminum Bar/Plate
 Inner Fin:Al - 1100
 Outer Fin:.....Al - 1100
 Fitting:.....Aluminum

Cooler Weight (lbs.)

Total Weight (dry) : 13 lbs.

PERFORMANCE

