

OptiPoint™ Interfaces

Graphical Touchscreen Displays

The Automated Logic® OptiPoint™ interfaces provide building operators and technicians with visibility and control over a single piece of HVAC equipment in a building. Available in three sizes, they feature an illuminated color pixel touchscreen display and connect to a single WebCTRL® controller, making management of the connected HVAC equipment both intuitive and simple.



OptiPoint 10 Interface
10" Display
part# EQT2-10



OptiPoint 7 Interface
7" Display
part# EQT2-7



OptiPoint 4 Interface
4.3" Display
part# EQT2-4

Key Features and Benefits

- Available in three sizes
- Capacitive touch screen with best-in-class resolution
- Rugged, industrial grade display
- Can be panel or wall-mounted
- Connects to a single WebCTRL controller
- Easily programmable using ViewBuilder
- Supports standard Equipment Touch files
- Touch files can be uploaded from connected controller or stored on OptiPoint interface
- Support for graphics and animations
- Support for international languages
- Multi-level password protection for security
- Built-in PDF viewer
- View and edit BACnet time schedules
- Change setpoints easily
- View all alarms in controller
- Visual alarm indicator
- View trends, with added support for pinch/zoom and swiping to move along timeline
- Supports screen capture to USB flash drive
- Access virtually any point in the controller
- Can be used as a technician tool or user interface



The WebCTRL® building automation system gives you the ability to understand your building operations and analyze the results. The WebCTRL system integrates environmental, energy, security and safety systems into one powerful management tool that allows you to reduce energy consumption, increase occupant comfort, and achieve sustainable building operations. Our web-based platform allows building managers to control and access information about their HVAC, lighting, central plant and critical processes on premises or remotely at any time of day.

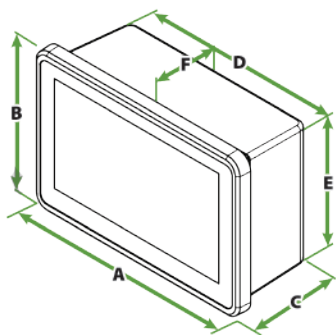


OptiPoint™ Interfaces

Specifications

	OptiPoint 4 Interface	OptiPoint 7 Interface	OptiPoint 10 Interface
Power:	24Vdc, .375A	24Vdc, .375A	24Vdc, .417A
Display:	TFT (Widescreen): 4.3" (11.0 cm)	7" (17.8 cm)	10.1" (25.7 cm)
Resolution:	480 x 272 pixels (128 ppi)	1024 x 600 pixels (170 ppi)	1280 x 800 pixels (149 ppi)
Brightness:	400 cd/m (typ.)	320 cd/m (typ.)	350 cd/m (typ.)
Contrast ratio:	1000:1 (typ.)	1000:1 (typ.)	800:1 (typ.)
Viewing angle:	-75~50(H); -75~75(V)	-75~50(H); -75~75(V)	-85~85(H); -85~85(V)
Max colors:	16.7M (8-bit)	16.7M (8-bit)	16.7M (8-bit)
Touch:	Capacitive Multi-Touch (P-CAP)	Capacitive Multi-Touch (P-CAP)	Capacitive Multi-Touch (P-CAP)
Operating Conditions:	-4°F to 140°F (-20°C to 60°C), 10% to 90% RH (non-condensing) Front IP65 Water and Dust Proof (Rear: IP20); Vibration tested to IEC60068-2-64		
Storage Temperatures:	-13°F to 158°F (-25°C to 70°C)		
Communication:	Comm Input: EIA-485 based serial port for connection to the Rnet network (115kbps) USB: For upgrades, screen captures, and file transfers USB OTG: Micro-USB "On the Go" port for firmware upgrades LAN: Disabled for future use		
System:	OS: Android 6.0 Processor: Freescale Cortex A9 i.MX6 Dual Core 1 GHz System Memory: 1GB LPDDR3 RAM to store variable data and LCD data Storage: 8 GB on-board eMMC flash memory to store program code and screen file		
Mounting:	Wall or panel mounting within the building interior		
Listed by:	CE (Class B), FCC (Class B), UL 60950, Vibration tested to EN60068-2-6, IP65 rated (front) IP20 rated (rear)		
Real-time clock:	A 365-day real time clock/calendar chip. The time and date will be maintained for a minimum of 72 hours after loss of power (at room temperature).		
Device identification:	A serial number label is on the back of the device.		

Physical Dimensions



OptiPoint 4 Interface

A: 121 mm (4.76")	D: 110 mm (4.33")
B: 82 mm (3.23")	E: 74 mm (2.91")
C: 49 mm (1.93")	F: 42 mm (1.65")

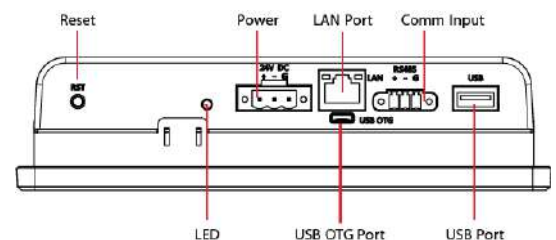
OptiPoint 7 Interface

A: 185 mm (7.28")	D: 175 mm (6.89")
B: 128 mm (5.04")	E: 118 mm (4.65")
C: 46 mm (1.81")	F: 39 mm (1.52")

OptiPoint 10 Interface

A: 267 mm (10.5")	D: 244 mm (9.61")
B: 182 mm (7.17")	E: 159 mm (6.26")
C: 47 mm (1.85")	F: 39 mm (1.52")

Ports



All trademarks used herein are the property of their respective owners.

1150 Roberts Boulevard, Kennesaw, Georgia 30144
770-429-3000 Fax 770-429-3001 | www.automatedlogic.com

AUTOMATEDLOGIC
United Technologies

We make data **big**™

Next level building automation engineered to help you make smart decisions.