

# SPOT COOLING FOR MACHINING AND INDUSTRIAL PROCESSES

## Arizona Vortex—Cool Tool

The Arizona Vortex Cool Tool is a packaged Vortex Tube that is portable, ready to use cold air source. It is designed to improve machining operations and improve the life of tools and tool bits. The Cool Tool produces an air stream that will be 70 degrees F. colder than the temperature of your compressed air source. It is portable, using the magnetic base, the Cool Tool can be moved from one machine to another—aim the nozzle at your work piece and go to work.

The Arizona Vortex Cool Tool will eliminate the need for mist, mess, and expensive liquid coolants. It will improve tool life, finish, tolerances, and the overall production.

The Cool Tool is made of stainless steel and is designed to meet the rigors of every day manufacturing demands.

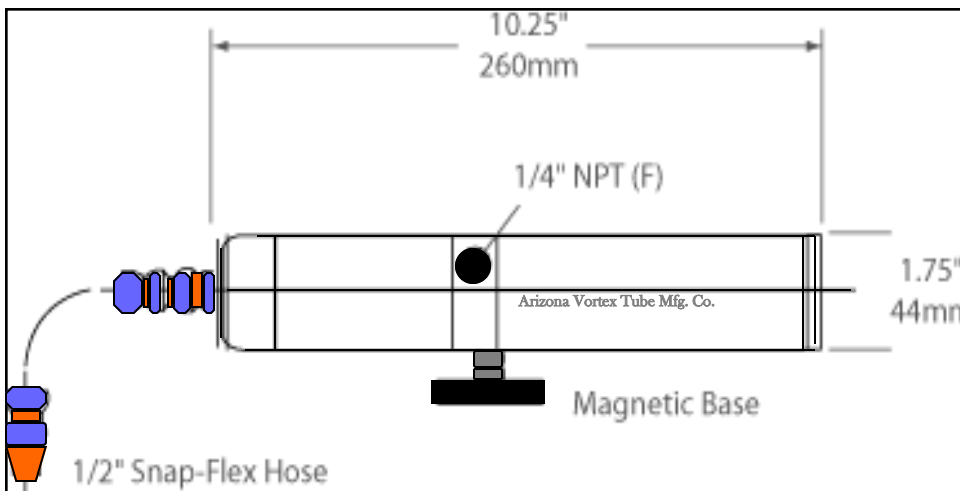


### FEATURES

- Compact
- Magnetic Base
- Portable
- Stainless Steel Construction

### BENEFITS

- Finished Part is Dry
- Improve Tool Life
- No Moving Parts
- Maintenance Free
- Quiet
- Low Cost
- No Messy Liquid Coolant
- Instant On and Off
- Improve Cutting Speeds
- Increase Machining Speeds
- Minimize Heat Build-Up
- Reduce Wheel Loading
- Speed Production
- Better Part Finish



### USE TO COOL

- GRINDING OPERATIONS
- TAPPINGS
- ROUTERS
- DRILLING
- SHARPENING TOOLS
- MILLING
- BAND SAWS
- MACHINING PLASTICS

**Replace Messy Coolant with COLD AIR!**