

ENVIRO-PORT

READY-MIX RECYCLING SOLUTIONS

Wash Out Aggregate Processor



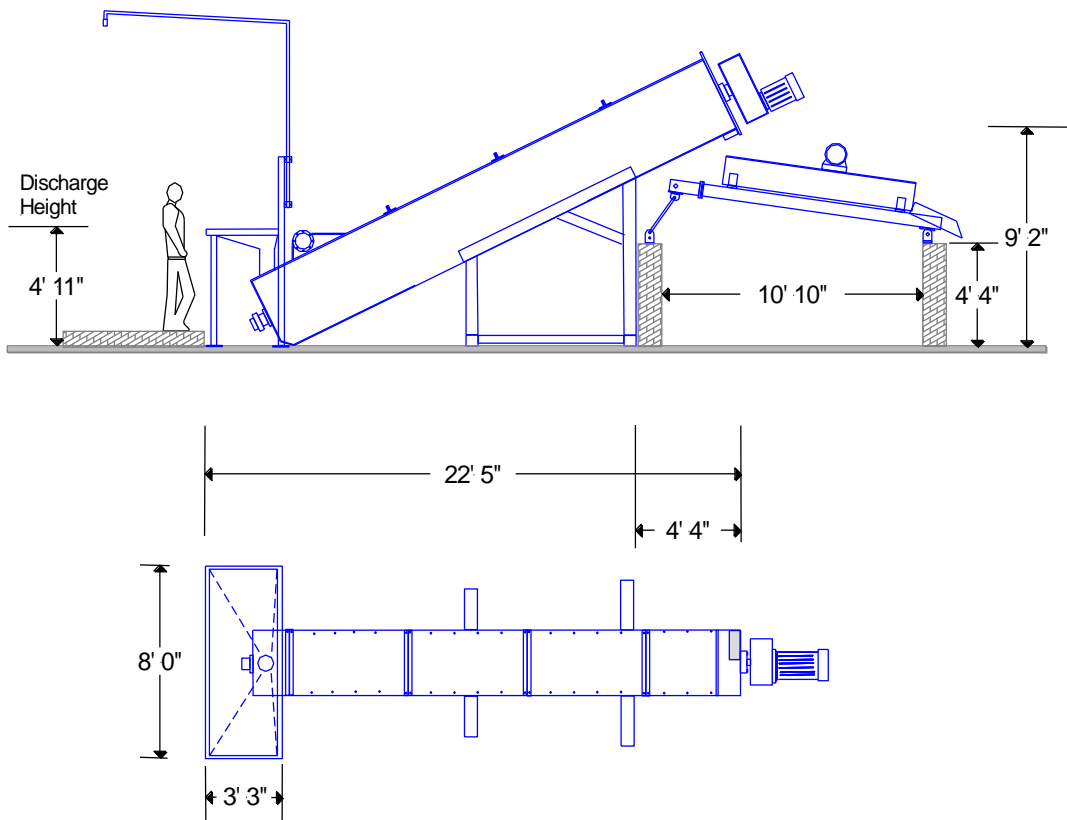
Model: WOAP13-18 1-2 Truck Discharge - Suggested fleet size
1-8 trucks

Model: WOAP23-27 1-2 Truck Discharge - Suggested fleet size
8-15 trucks

ENVIRO-PORT

READY-MIX RECYCLING SOLUTIONS

Wash Out Aggregate Processor



Model: WOAP23-27

Descriptions:

Item: WOAP13-18 Wash-Out Aggregate Processor One (1) ENVIRO-PORT System WOAP13-18

- Screw Conveyor Construction:
Square Housing 18"x 18" x ¼" Wall, Flighting 13" x 22° x 3/8"
Chrome Buildup Flighting.
Drive Unit 15 HP input, Nord Speed Reducer.
- Control System:
Relay Logic- UL approved Panel shipped loose for customer mounting.
- Submersible Pump:
3" Discharge, 3hp Submersible: pumps clarified water from the clean cell
To the Aggregate Processor.
Max. Flow (GPM) 180, Max Dynamic Head 70'
- Discharge Hood:
Width 8', Width 3', Back Splash 4'
Truck Discharge Height 4' 11"
3/16" Plate Steel Construction
One Truck Discharge Standard. 2nd Truck Optional.
- Intake capabilities 10 – 15 Yards Per Hour
- Automatic Lubrication System.
- Weight 5,600 lbs.

Item: WOAP23-27 Wash-Out Aggregate Processor One (1) ENVIRO-PORT System WOAP23-27

- Screw Conveyor Construction:
Square Housing 27"x 27" x ¼" Wall, Flighting 23" x 22° x 3/8"
Replaceable, High chrome cast bolt on flight tips.
Drive Unit 25 HP input, Nord Speed Reducer.
- Control System:
Relay Logic UL approved Panel shipped loose for customer mounting.
- Submersible Pump:
3" Discharge, 3hp Submersible: pumps clarified water from the clean cell
To the Aggregate Processor.
Max. Flow (GPM) 180, Max Dynamic Head 70'
- Discharge Hood:
Width 8', Width 3', Back Splash 4'
Truck Discharge Height 4' 11"
3/16" Plate Steel Construction
One Truck Discharge Standard. 2nd Truck Optional.
- Intake capabilities 15 – 20 Yards Per Hour
- Automatic Lubrication System.
- Weight 8,900 lbs.

ENVIRO-PORT

READY-MIX RECYCLING SOLUTIONS

Item: 48SDVS

One (1) Enviro-Port 48" x96" Single Deck Vibrating Screen Package

- C – Channel Extension Frame, allowing up to a 13' wide bunker.
- Height Adjustment Kit.
- Pre-Wired Motor Starter and Disconnect Box.
- Approximate shipping weight 2,500lbs.

