



[BCIS Home](#) |
 [Log In](#) |
 [User Registration](#) |
 [Hot Topics](#) |
 [Submit Surcharge](#) |
 [Stats & Facts](#) |
 [Publications](#) |
 [FBC Staff](#) |
 [BCIS Site Map](#) |
 [Links](#) |
 [Search](#)



Product Approval
USER: Public User

[Product Approval Menu](#) >
 [Product or Application Search](#) >
 [Application List](#) >
 Application Detail



FL #	FL5499-R4
Application Type	Revision
Code Version	2017
Application Status	Approved

Comments
Archived

Product Manufacturer	Elite Aluminum Corporation
Address/Phone/Email	4650 Lyons Technology Parkway Coconut Creek, FL 33073 (954) 949-3200 dk@doklmengineering.net

Authorized Signature	Frank Bennardo frank@engineeringexpress.com
----------------------	--

Technical Representative	Bruce Peacock
Address/Phone/Email	4650 Lyons Technology Parkway Coconut Creek, FL 33073 (954) 949-3200 bpeacock@elitealuminum.com

Quality Assurance Representative
Address/Phone/Email

Category	Panel Walls
Subcategory	Storefronts

Compliance Method	Evaluation Report from a Florida Registered Architect or a Licensed Florida Professional Engineer Evaluation Report - Hardcopy Received
-------------------	--

Florida Engineer or Architect Name who developed the Evaluation Report
Frank L. Bennardo, P.E.

Florida License	PE-0046549
Quality Assurance Entity	QAI Laboratories
Quality Assurance Contract Expiration Date	04/30/2021
Validated By	Troy Bishop, P.E. Validation Checklist - Hardcopy Received

Certificate of Independence [FL5499_R4_COI_Indep.pdf](#)

Referenced Standard and Year (of Standard)	Standard	Year
	AAMA 501	2005
	ASTM E1300	2009
	ASTM E283	2004
	ASTM E330	2002
	ASTM E331	2000
	TAS 201	1994
	TAS 202	1994
	TAS 203	1994

Equivalence of Product Standards
 Certified By

Florida Licensed Professional Engineer or Architect
[FL5499_R4_Equiv_Equiv.pdf](#)

Sections from the Code

Product Approval Method: Method 1 Option D

Date Submitted: 10/20/2017
 Date Validated: 10/20/2017
 Date Pending FBC Approval: 10/26/2017
 Date Approved: 12/12/2017

Summary of Products

FL #	Model, Number or Name	Description
5499.1	Elite 2000 Storefront	Aluminum Storefront Glazing System Large and Small Missile Impact
Limits of Use Approved for use in HVHZ: Yes Approved for use outside HVHZ: Yes Impact Resistant: Yes Design Pressure: N/A Other: For use within and outside the HVHZ. Large and Small Missile Impact Resistant.		Installation Instructions FL5499_R4_II_Dwg1.pdf Verified By: Frank L. Bennardo, P.E. PE-0046549 Created by Independent Third Party: Yes Evaluation Reports FL5499_R4_AE_Eval1.pdf Created by Independent Third Party: Yes
5499.2	Elite 2000 Storefront	Aluminum Storefront Glazing System Non-Impact Resistant
Limits of Use Approved for use in HVHZ: Yes Approved for use outside HVHZ: Yes Impact Resistant: No Design Pressure: N/A Other: For use within and outside the HVHZ. Non-Impact Resistant.		Installation Instructions FL5499_R4_II_Dwg2.pdf Verified By: Frank L. Bennardo, P.E. PE0046549 Created by Independent Third Party: Yes Evaluation Reports FL5499_R4_AE_Eval2.pdf Created by Independent Third Party: Yes

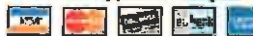
[Back](#) [Next](#)

Contact Us :: 2601 Blair Stone Road, Tallahassee FL 32399 Phone: 850-487-1824

The State of Florida is an AA/EEO employer. Copyright 2007-2013 State of Florida. :: [Privacy Statement](#) :: [Accessibility Statement](#) :: [Refund Statement](#)

Under Florida law, email addresses are public records. If you do not want your e-mail address released in response to a public-records request, do not send electronic mail to this entity. Instead, contact the office by phone or by traditional mail. If you have any questions, please contact 850.487.1395. *Pursuant to Section 455.275(1), Florida Statutes, effective October 1, 2012, licensees licensed under Chapter 455, F.S. must provide the Department with an email address if they have one. The emails provided may be used for official communication with the licensee. However email addresses are public record. If you do not wish to supply a personal address, please provide the Department with an email address which can be made available to the public. To determine if you are a licensee under Chapter 455, F.S., please click [here](#).

Product Approval Accepts:



Credit Card
Safe

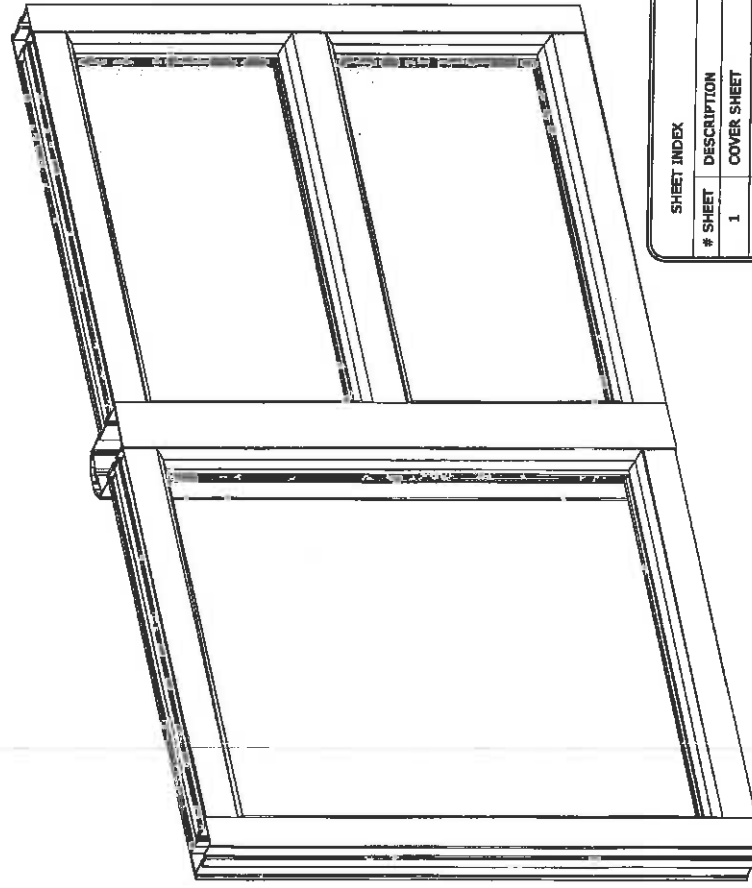


Elite 2000

ALUMINUM STOREFRONT GLAZING SYSTEM NON-IMPACT RESISTANT

GENERAL NOTES

- THE SYSTEM DESCRIBED HEREIN HAS BEEN DESIGNED AND TESTED IN ACCORDANCE WITH THE BUILDING CODE SIXTH EDITION (2017), FOR USE WITHIN AND OUTSIDE THE HIGH VELOCITY HURRICANE ZONE. SYSTEM TESTED PER:
- TAS 202-94
- ANMA 501-05
- NO 33-1/3% INCREASE IN ALLOWABLE STRESS HAS BEEN USED IN THE DESIGN OF THIS SYSTEM. WIND LOAD DURATION FACTOR $C_d=1.6$ HAS BEEN USED FOR WOOD ANCHOR DESIGN.
- POSITIVE AND NEGATIVE DESIGN PRESSURES CALCULATED FOR USE WITH THIS SYSTEM SHALL BE DETERMINED BY OTHERS ON A JOB-SPECIFIC BASIS IN ACCORDANCE WITH THE GOVERNING CODE. SITE SPECIFIC LOAD WIND LOAD REQUIREMENTS SHALL BE DETERMINED IN ACCORDANCE WITH ASCE 7 AND THE 2017 (6th EDITION) FLORIDA BUILDING CODE BY SEPARATE ENGINEERING CERTIFICATION AND SHALL BE LESS THAN OR EQUAL TO THE POSITIVE OR NEGATIVE DESIGN PRESSURE CAPACITY VALUE LISTED HEREIN FOR ANY ASSEMBLY WITHIN THE LIMITATIONS STATED HEREIN.
- THE SYSTEM DETAILED HEREIN IS GENERIC AND DOES NOT PROVIDE INFORMATION FOR A SPECIFIC SITE. FOR SITE CONDITIONS DIFFERENT FROM THE CONDITIONS DETAILED HEREIN, A LICENSED ENGINEER OR REGISTERED ARCHITECT SHALL PREPARE SITE SPECIFIC DOCUMENTS FOR USE IN CONJUNCTION WITH THIS DOCUMENT.
- PERMIT HOLDER SHALL VERIFY THE ADEQUACY OF THE EXISTING STRUCTURE TO WITHSTAND SUPERIMPOSED LOADS. WOOD BUCKS (BY OTHERS) SHALL BE ANCHORED PROPERLY TO TRANSFER LOADS TO THE EXISTING STRUCTURE.
- ANCHOR EMBEDMENT SPECIFIED IS INTO HOST STRUCTURE MINIMUM.
- ALL EXTRUSIONS SHALL BE 6063-T5 ALUMINUM ALLOY, UNLESS NOTED OTHERWISE.
- EXTERIOR SEAM OF FRAME CORNERS, INSTALLATION SCREWS, AND GLAZING BEAD ENDS SHALL BE SEALED WITH SILICONE.
- ALL BOLTS & WASHERS SHALL BE ZINC COATED STEEL, GALVANIZED STEEL, OR STAINLESS STEEL WITH A MINIMUM TENSILE YIELD STRENGTH OF 60 KSI.
- ALL DISSIMILAR MATERIALS SHALL BE PAINTED OR PLATED AS PRESCRIBED IN THE FLORIDA BUILDING CODE.
- NOT APPROVED FOR LARGE AND SMALL MISSILE IMPACT APPLICATIONS. SEE GLASS TYPES FOR ANY RESTRICTIONS. AN IMPACT PROTECTION SYSTEM MUST BE ADOPTED IF REQUIRED BY CODE.
- TEST REPORTS: HURRICANE ENGINEERING AND TESTING REPORT # HETI-08-2164B, HETI-08-2164A, HETI-09-2508B AND HETI-09-2506. CONSTRUCTION TESTING CORP. REPORT # 00-030
- THIS SYSTEM MAY BE USED IN CONJUNCTION WITH ELITE DOOR SERIES 3000 OUT SWING ENTRY DOOR
- CODE REQUIREMENTS FOR SAFEGUARDS MUST BE OBSERVED AND ARE NOT IN THIS CERTIFICATION.
- WINDOW TO SUBSTRATE WATER PROOFING IS NOT INCLUDED IN THIS DOCUMENT AND MUST BE ADDRESSED ON A SITE SPECIFIC BASIS. NOT BY ELITE ALUMINUM CORP.
- PRODUCT SHALL BE PERMANENTLY LABELED WITH A MINIMUM OF ONE LABEL PER SYSTEM CONTAINING THE FOLLOWING:
ELITE ALUMINUM CORPORATION
4650 LYONS TECHNOLOGY PARKWAY
COCOONUT CREEK, FLORIDA 33073
TAS 201/202/203
APPROVED BY FLORIDA BUILDING COMMISSION
FLORIDA PRODUCT APPROVAL NUMBER FL#5499.2



SHEET INDEX	
# SHEET	DESCRIPTION
1	COVER SHEET
2	ELEVATIONS
3-4	DETAILS
5	GLASS LOADING CHARTS
6-8	MULLION LOADING CHARTS
9	ANCHORING SCHEDULE
10	PARTS & PARTS LIST
11	FRAME ASSEMBLY

MAXIMUM PRESSURE RATING = -85/+75 Psf (ASD)

ELITE ALUMINUM
Building Innovation

4650 LYONS TECHNOLOGY PARKWAY
COCOONUT CREEK, FL 33073

ELITE 2000 STOREFRONT GLAZING SYSTEM
NON-IMPACT RATED

FLORIDA STATEWIDE APPROVAL FL#FL #5499.2

14-1439

SCALE: 1/8" = 1'-0" UNLESS NOTED

11

FRANK L. BEAUMONT, P.E.
160 SW 12th Ave, Suite 100
Deerfield Beach, FL 33442
Tel: (561) 392-0000
Fax: (561) 392-0000
frank@franklbeaumont.com
franklbeaumont.com

NO PERMITS REQUIRED

STATION: 1017

DATE: 10/20/2017

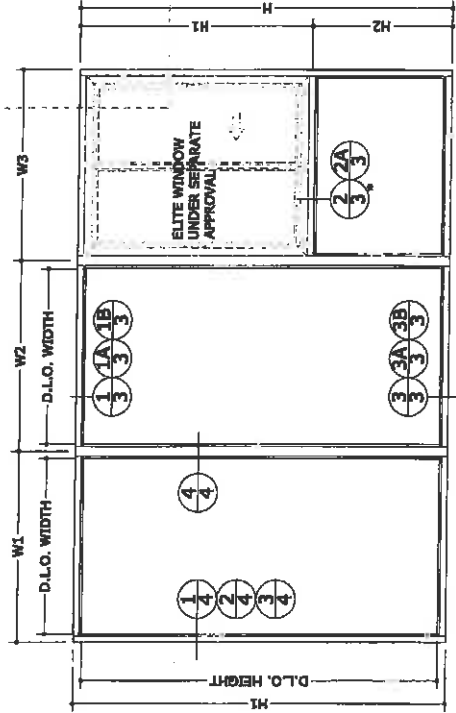
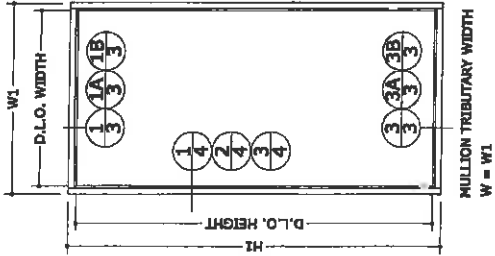
FRANK L. BEAUMONT, P.E.
160 SW 12th Ave, Suite 100
Deerfield Beach, FL 33442
Tel: (561) 392-0000
Fax: (561) 392-0000
frank@franklbeaumont.com
franklbeaumont.com

FRANK L. BEAUMONT, P.E.
160 SW 12th Ave, Suite 100
Deerfield Beach, FL 33442
Tel: (561) 392-0000
Fax: (561) 392-0000
frank@franklbeaumont.com
franklbeaumont.com

FRANK L. BEAUMONT, P.E.
160 SW 12th Ave, Suite 100
Deerfield Beach, FL 33442
Tel: (561) 392-0000
Fax: (561) 392-0000
frank@franklbeaumont.com
franklbeaumont.com

FRANK L. BEAUMONT, P.E.
160 SW 12th Ave, Suite 100
Deerfield Beach, FL 33442
Tel: (561) 392-0000
Fax: (561) 392-0000
frank@franklbeaumont.com
franklbeaumont.com

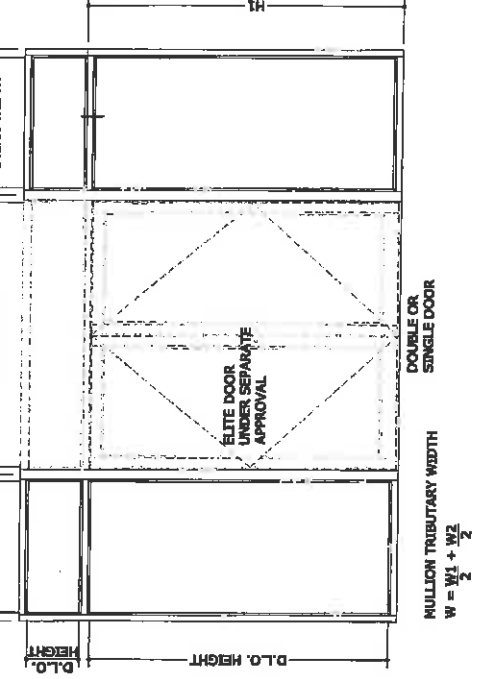
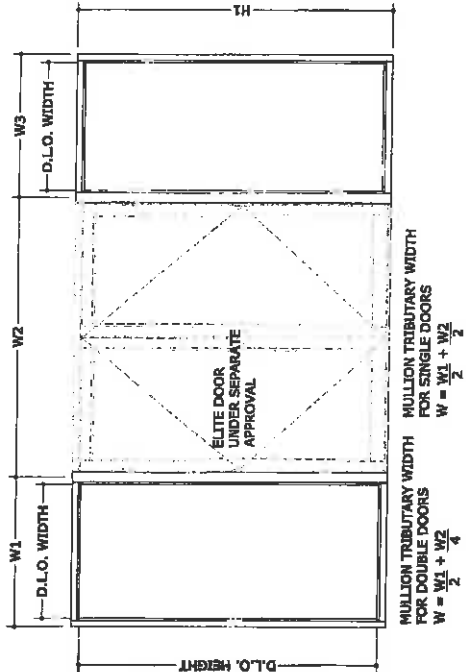
TYPICAL ELEVATIONS



* NOTE: MULLION 2/3 IS NOT APPROVED FOR USE IN RWVZ

MULLION TRIBUTARY WIDTH
 $W = \frac{W1 + W2}{2}$

MULLION TRIBUTARY HEIGHT
 $H = \frac{H1 + H2}{2}$



MULLION TRIBUTARY WIDTH FOR DOUBLE DOORS
 $W = \frac{W1 + W2}{4}$

MULLION TRIBUTARY WIDTH FOR SINGLE DOORS
 $W = \frac{W1 + W2}{2}$

INSTRUCTIONS TO DETERMINE DESIGN PRESSURE RATING

STEP 1: USE THE GLASS LOADING TABLES TO DETERMINE THE ALLOWABLE PRESSURE OF THE GLASS.

STEP 2: USE THE MULLION LOADING TABLE TO DETERMINE THE ALLOWABLE PRESSURES FOR THE MULLIONS.

STEP 3: THE MINIMUM VALUE BETWEEN STEP 1 AND STEP 2 WILL DETERMINE THE DESIGN LOAD PRESSURE FOR THIS SYSTEM.

FRANK L. BENNETT, P.E.
 PROFESSIONAL ENGINEER
 STATE OF FLORIDA
 NO. PED00406
 EXPIRES 10/31/2017

ELITE ALUMINUM CORPORATION
 BUILDING INNOVATION
 4650 LYONS TECHNOLOGY PARKWAY
 COONAUT CREEK, FL 33073
 ELITE 2000 STORAGE GLAZING SYSTEM
 NON-IMPACT RATED
 FLORIDA STATEWIDE APPROVAL - FL-PL #5499.2

14-1439
 DELETED UNLESS NOTED
 11
 2

ENGINEER
EXPRESS
 ENGINEERING
 160 SW 12th Ave, Suite 1200
 Deerfield Beach, FL 33442
 (561) 883-1200
 E: HELD@ENGINEEREXPRESS.COM
 F: HELD@ENGINEEREXPRESS.COM
 CERT. OF ALUM #9885

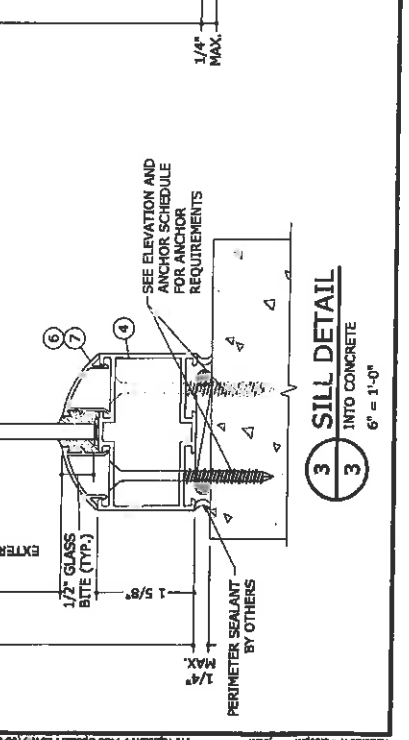
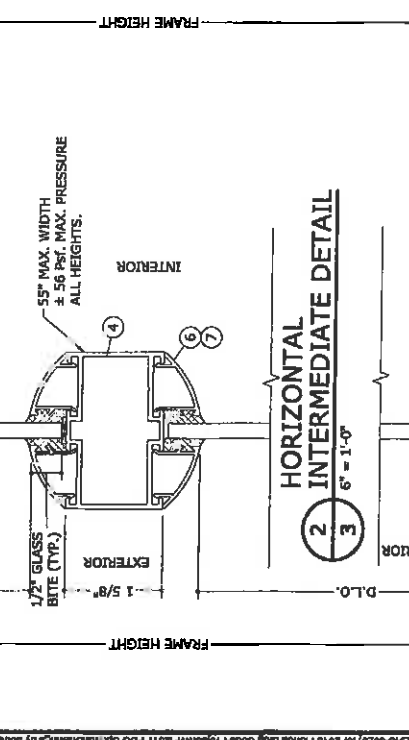
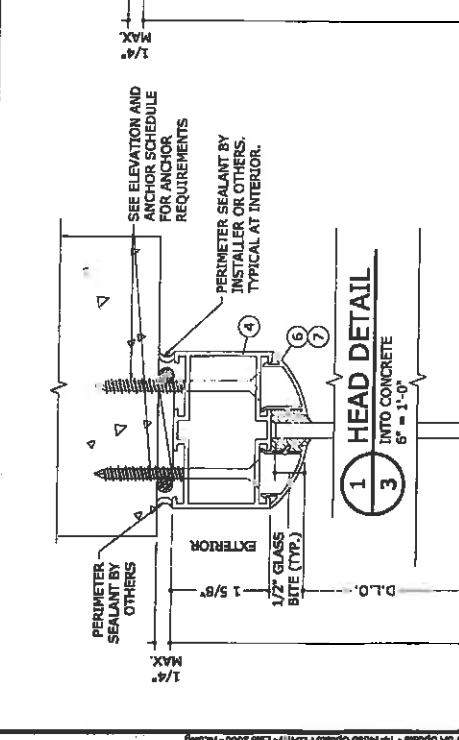
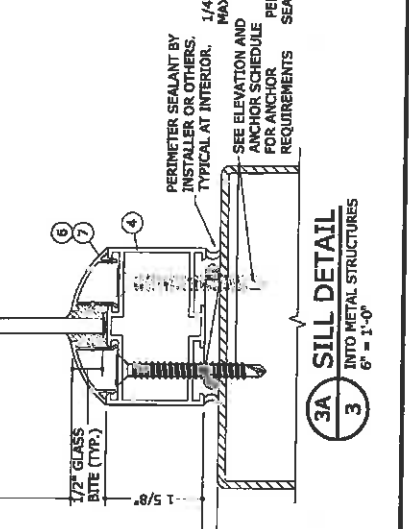
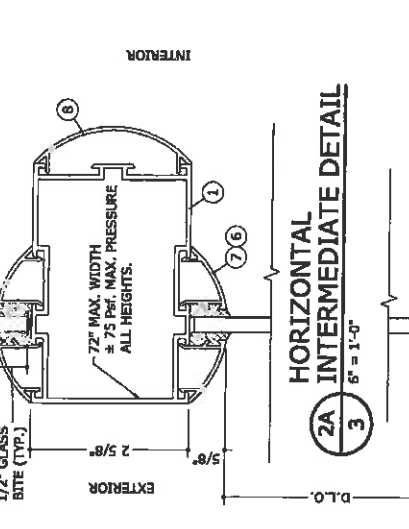
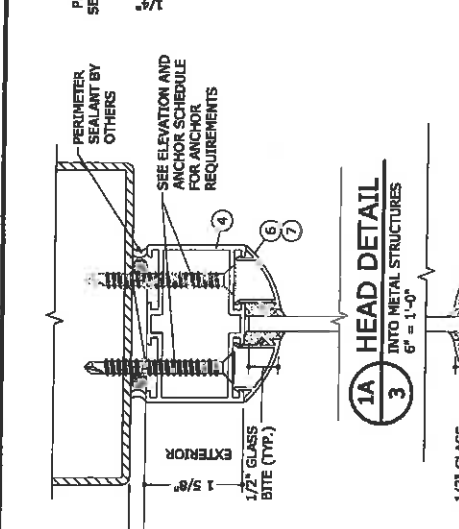
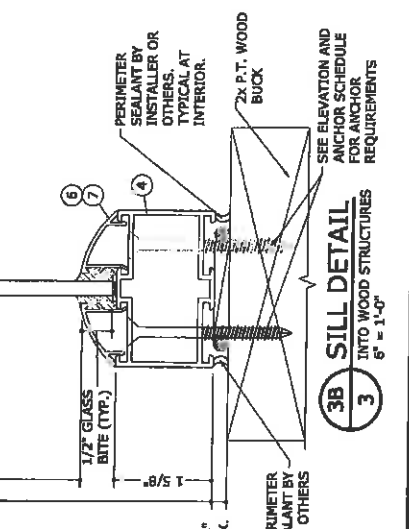
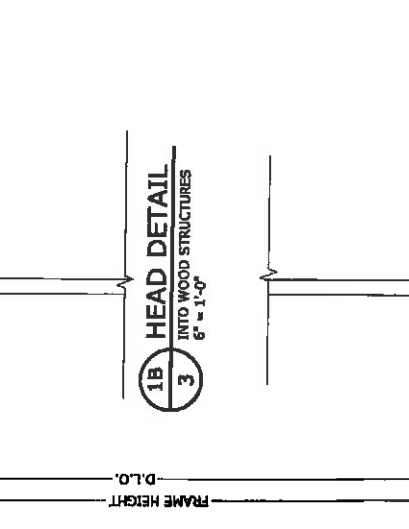
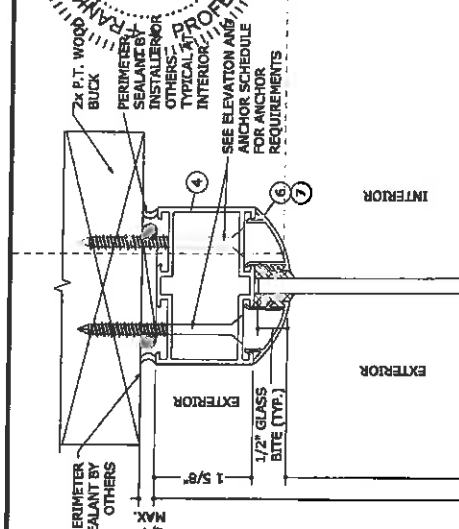
ENGINEER
EXPRESS
 ENGINEERING
 160 SW 12th Ave, Suite 1200
 Deerfield Beach, FL 33442
 (561) 883-1200
 E: HELD@ENGINEEREXPRESS.COM
 F: HELD@ENGINEEREXPRESS.COM
 CERT. OF ALUM #9885

ELITE
 CORPORATION
 4890 LYONS TECHNOLOGY PARKWAY
 COCONUT CREEK, FL 32923
 FLORIDA STATEWIDE APPROVAL #F.R.#5499.2
 NON-IMPACT RATED
 ELITE 2000 STOREFRONT GLAZING SYSTEM

NO.	DATE	DESCRIPTION
1	01/20/17	ISSUED FOR PERMITS
2	01/20/17	ISSUED FOR PERMITS
3	01/20/17	ISSUED FOR PERMITS
4	01/20/17	ISSUED FOR PERMITS
5	01/20/17	ISSUED FOR PERMITS
6	01/20/17	ISSUED FOR PERMITS
7	01/20/17	ISSUED FOR PERMITS
8	01/20/17	ISSUED FOR PERMITS
9	01/20/17	ISSUED FOR PERMITS
10	01/20/17	ISSUED FOR PERMITS
11	01/20/17	ISSUED FOR PERMITS

14-1439

SCALE: UNLESS NOTED OTHERWISE



FRANK L. BENNARDI, P.E.
 License No. 14107
 10/20/2017

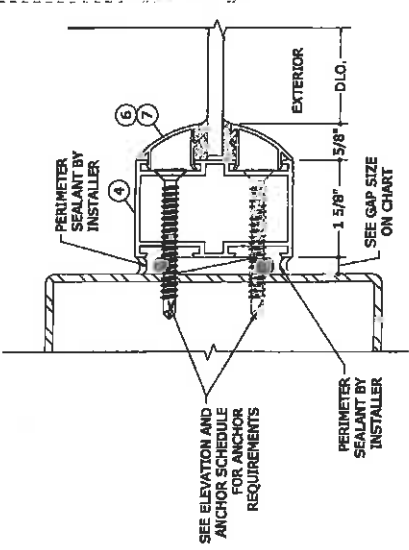


ENGINEERS EXPRESS
 CORPORATION
 160 SW 12th Ave, Suite 106
 Deerfield Beach, FL 33442
 P: (561) 254-0668 F: (561) 514-0404
 E: HELL@ENGINEERSPRESS.COM
 WWW.ENGINEERSPRESS.COM
 DEPT. OF ALTH #4635

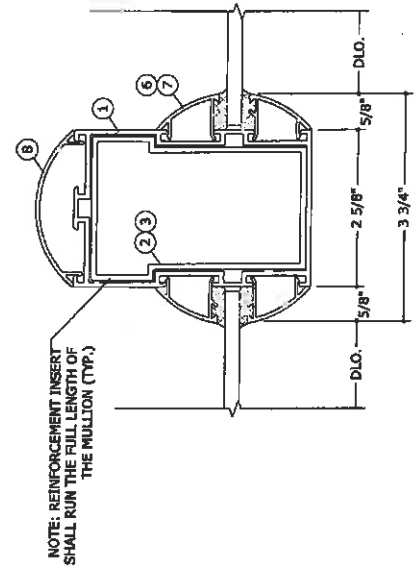
ELITE ALUMINUM CORPORATION
 Building Innovators
 4650 LYONS TECHNOLOGY PARKWAY
 COCONUT CREEK, FL 33073
 ELITE 2000 STOREFRONT GLAZING SYSTEM
 NON-IMPACT RATED
 FLORIDA STATEWIDE APPROVAL-FLR# 45499.2

REVISION	DATE	DESCRIPTION
1	08/22/09	INITIALS
2	12/08/09	REVISED
3	01/28/10	REVISED
4	01/28/10	REVISED
5	01/28/10	REVISED
6	01/28/10	REVISED
7	01/28/10	REVISED
8	01/28/10	REVISED

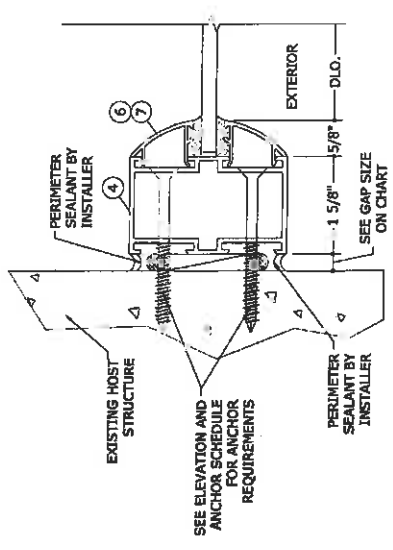
14-1439
 SCALE: UNLESS NOTED
 1/1



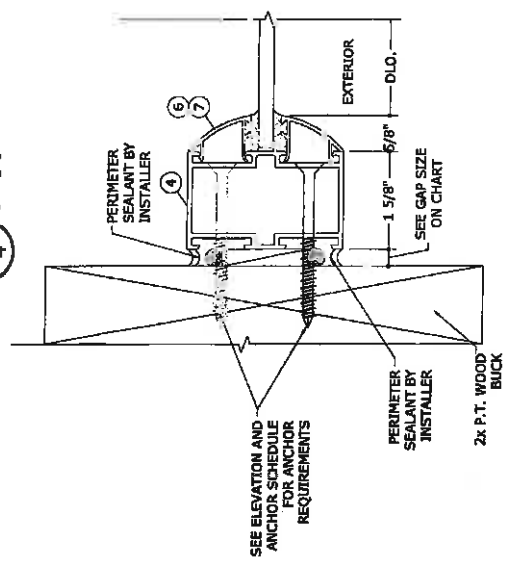
3 JAMB DETAIL
 4 6" = 1'-0"



4 VERTICAL INTERMEDIATE DETAIL
 4 6" = 1'-0"



1 JAMB DETAIL
 4 6" = 1'-0"



2 JAMB DETAIL
 4 6" = 1'-0"

DESIGN PRESSURE CHART (ASD)

GLASS TYPE "A"			
D.L.O. WIDTH (in.)	D.L.O. HEIGHT (in.)	NEGATIVE (Psf)	POSITIVE (Psf)
24	24	85	75
30	30	85	75
36	36	85	75
42	42	85	75
48	48	85	75
52 1/2	52 1/2	85	75
60	60	85	75
66	66	85	75
72	72	85	75
78	78	85	75
84	84	85	75
90	90	85	75
96	96	85	75
102	102	85	75
108 1/2	108 1/2	85	75
114	114	85	75
120	120	85	75
126	126	85	75
132	132	85	75
138	138	85	75
144	144	85	75
150	150	85	75
156	156	85	75
162	162	85	75

GLASS TYPE "A"			
D.L.O. WIDTH (in.)	D.L.O. HEIGHT (in.)	NEGATIVE (Psf)	POSITIVE (Psf)
24	24	85	75
30	30	85	75
36	36	85	75
42	42	85	75
48	48	85	75
52 1/2	52 1/2	85	75
60	60	85	75
66	66	85	75
72	72	85	75
78	78	85	75
84	84	85	75
90	90	85	75
96	96	85	75
102	102	85	75
108 1/2	108 1/2	85	75
114	114	85	75
120	120	85	75
126	126	85	75
132	132	85	75
138	138	85	75
144	144	85	75
150	150	85	75
156	156	85	75
162	162	85	75

GLASS TYPE "A"			
D.L.O. WIDTH (in.)	D.L.O. HEIGHT (in.)	NEGATIVE (Psf)	POSITIVE (Psf)
24	24	85	75
30	30	85	75
36	36	85	75
42	42	85	75
48	48	85	75
52 1/2	52 1/2	85	75
60	60	85	75
66	66	85	75
72	72	85	75
78	78	85	75
84	84	85	75
90	90	85	75
96	96	85	75
102	102	85	75
108 1/2	108 1/2	85	75
114	114	85	75
120	120	85	75
126	126	85	75
132	132	85	75
138	138	85	75
144	144	85	75
150	150	85	75
156	156	85	75
162	162	85	75

GLASS TYPE "A"			
D.L.O. WIDTH (in.)	D.L.O. HEIGHT (in.)	NEGATIVE (Psf)	POSITIVE (Psf)
24	24	85	75
30	30	85	75
36	36	85	75
42	42	85	75
48	48	85	75
52 1/2	52 1/2	85	75
60	60	85	75
66	66	85	75
72	72	85	75
78	78	85	75
84	84	85	75
90	90	85	75
96	96	85	75
102	102	85	75
108 1/2	108 1/2	85	75
114	114	85	75
120	120	85	75
126	126	85	75
132	132	85	75
138	138	85	75
144	144	85	75
150	150	85	75
156	156	85	75
162	162	85	75

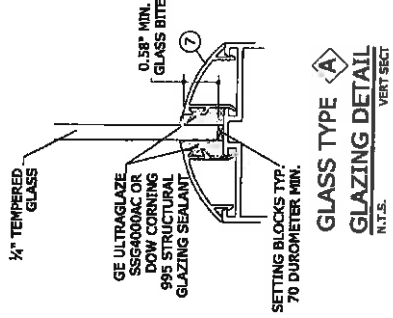
GLASS TYPE "A"			
D.L.O. WIDTH (in.)	D.L.O. HEIGHT (in.)	NEGATIVE (Psf)	POSITIVE (Psf)
24	24	85	75
30	30	85	75
36	36	85	75
42	42	85	75
48	48	85	75
52 1/2	52 1/2	85	75
60	60	85	75
66	66	85	75
72	72	85	75
78	78	85	75
84	84	85	75
90	90	85	75
96	96	85	75
102	102	85	75
108 1/2	108 1/2	85	75
114	114	85	75
120	120	85	75
126	126	85	75
132	132	85	75
138	138	85	75
144	144	85	75
150	150	85	75
156	156	85	75
162	162	85	75

GLASS TYPE "A"			
D.L.O. WIDTH (in.)	D.L.O. HEIGHT (in.)	NEGATIVE (Psf)	POSITIVE (Psf)
24	24	85	75
30	30	85	75
36	36	85	75
42	42	85	75
48	48	85	75
52 1/2	52 1/2	85	75
60	60	85	75
66	66	85	75
72	72	85	75
78	78	85	75
84	84	85	75
90	90	85	75
96	96	85	75
102	102	85	75
108 1/2	108 1/2	85	75
114	114	85	75
120	120	85	75
126	126	85	75
132	132	85	75
138	138	85	75
144	144	85	75
150	150	85	75
156	156	85	75
162	162	85	75

FRANK BEAM ENGINEERING P.C.
 1020/2017
 1020/2017
 1020/2017
 1020/2017

ELITE ALUMINUM CORPORATION
 Building Knowledge
 4650 LYONS TECHNOLOGY PARKWAY
 COCONTO CREEK, FL 32933
 NON-IMPACT RATED
 ELITE 2000 STOREFRONT GLAZING SYSTEM
 FLORIDA STATEWIDE APPROVAL - FL-FR #5499.2

14-1439
 SCALE: NOT UNLESS NOTED
 11



GLASS TYPE "A"
GLAZING DETAIL
 N.T.S. VERT SECT

NOTE: GLASS CAPACITY ON THIS SHEET IS BASED ON ASTM E1300-09 (3 SEC GUST)

NOTE: AN ALUMINUM SKIN PLYWOOD PANEL CONSISTING OF 3/4" PLYWOOD AND 0.032" THICK 3105H154 ALUMINUM ON INTERIOR AND EXTERIOR IN LIEU OF GLASS 13 SQ. FT. MAX AREA.

WITH AND WITHOUT HORIZONTALS

MULLION W/ REINFORCEMENT TYPE 2			PRESSURES		
NOMINAL DIMS	HEIGHT (in)	WIDTH (in)	PRESSURES (Psf)		HEIGHT (in)
			NEGATIVE	POSITIVE	
24	85	75	85	75	75
30	85	75	85	75	75
36	85	75	85	75	75
42	85	75	85	75	75
48	85	75	85	75	75
54	85	75	85	75	75
58%	85	75	85	75	75
66	85	75	85	75	75
72	85	75	85	75	75
78	85	75	85	75	75
84	85	75	85	75	75
90	85	75	85	75	75
96	85	75	85	75	75
99	85	75	85	75	75
102	85	75	85	75	75
108	85	75	85	75	75
109%	85	75	85	75	75
132	85	75	85	75	75
138	85	75	85	75	75
144	85	75	85	75	75
150	85	75	85	75	75
156	85	75	85	75	75
162	85	75	85	75	75

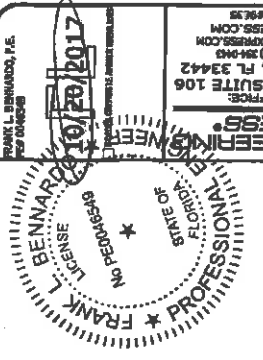
MULLION W/ REINFORCEMENT TYPE 2			PRESSURES		
NOMINAL DIMS	HEIGHT (in)	WIDTH (in)	PRESSURES (Psf)		HEIGHT (in)
			NEGATIVE	POSITIVE	
24	85	75	85	75	75
30	85	75	85	75	75
36	85	75	85	75	75
42	85	75	85	75	75
48	85	75	85	75	75
54	85	75	85	75	75
58%	85	75	85	75	75
66	85	75	85	75	75
72	85	75	85	75	75
78	85	75	85	75	75
84	85	75	85	75	75
90	85	75	85	75	75
96	85	75	85	75	75
99	85	75	85	75	75
102	85	75	85	75	75
108	85	75	85	75	75
109%	85	75	85	75	75
132	85	75	85	75	75
138	85	75	85	75	75
144	85	75	85	75	75
150	85	75	85	75	75
156	85	75	85	75	75
162	85	75	85	75	75

MULLION W/ REINFORCEMENT TYPE 2			PRESSURES		
NOMINAL DIMS	HEIGHT (in)	WIDTH (in)	PRESSURES (Psf)		HEIGHT (in)
			NEGATIVE	POSITIVE	
24	85	75	85	75	75
30	85	75	85	75	75
36	85	75	85	75	75
42	85	75	85	75	75
48	85	75	85	75	75
54	85	75	85	75	75
58%	85	75	85	75	75
66	85	75	85	75	75
72	85	75	85	75	75
78	85	75	85	75	75
84	85	75	85	75	75
90	85	75	85	75	75
96	85	75	85	75	75
99	85	75	85	75	75
102	85	75	85	75	75
108	85	75	85	75	75
109%	85	75	85	75	75
132	85	75	85	75	75
138	85	75	85	75	75
144	85	75	85	75	75
150	85	75	85	75	75
156	85	75	85	75	75
162	85	75	85	75	75

MULLION W/ REINFORCEMENT TYPE 2			PRESSURES		
NOMINAL DIMS	HEIGHT (in)	WIDTH (in)	PRESSURES (Psf)		HEIGHT (in)
			NEGATIVE	POSITIVE	
24	85	75	85	75	75
30	85	75	85	75	75
36	85	75	85	75	75
42	85	75	85	75	75
48	85	75	85	75	75
54	85	75	85	75	75
58%	85	75	85	75	75
66	85	75	85	75	75
72	85	75	85	75	75
78	85	75	85	75	75
84	85	75	85	75	75
90	85	75	85	75	75
96	85	75	85	75	75
99	85	75	85	75	75
102	85	75	85	75	75
108	85	75	85	75	75
109%	85	75	85	75	75
132	85	75	85	75	75
138	85	75	85	75	75
144	85	75	85	75	75
150	85	75	85	75	75
156	85	75	85	75	75
162	85	75	85	75	75

MULLION W/ REINFORCEMENT TYPE 2			PRESSURES		
NOMINAL DIMS	HEIGHT (in)	WIDTH (in)	PRESSURES (Psf)		HEIGHT (in)
			NEGATIVE	POSITIVE	
24	85	75	85	75	75
30	85	75	85	75	75
36	85	75	85	75	75
42	85	75	85	75	75
48	85	75	85	75	75
54	85	75	85	75	75
58%	85	75	85	75	75
66	85	75	85	75	75
72	85	75	85	75	75
78	85	75	85	75	75
84	85	75	85	75	75
90	85	75	85	75	75
96	85	75	85	75	75
99	85	75	85	75	75
102	85	75	85	75	75
108	85	75	85	75	75
109%	85	75	85	75	75
132	85	75	85	75	75
138	85	75	85	75	75
144	85	75	85	75	75
150	85	75	85	75	75
156	85	75	85	75	75
162	85	75	85	75	75

MULLION W/ REINFORCEMENT TYPE 2			PRESSURES		
NOMINAL DIMS	HEIGHT (in)	WIDTH (in)	PRESSURES (Psf)		HEIGHT (in)
			NEGATIVE	POSITIVE	
24	85	75	85	75	75
30	85	75	85	75	75
36	85	75	85	75	75
42	85	75	85	75	75
48	85	75	85	75	75
54	85	75	85	75	75
58%	85	75	85	75	75
66	85	75	85	75	75
72	85	75	85	75	75
78	85	75	85	75	75
84	85	75	85	75	75
90	85	75	85	75	75
96	85	75	85	75	75
99	85	75	85	75	75
102	85	75	85	75	75
108	85	75	85	75	75
109%	85	75	85	75	75
132	85	75	85	75	75
138	85	75	85	75	75
144	85	75	85	75	75
150	85	75	85	75	75
156	85	75	85	75	75
162	85	75	85	75	75

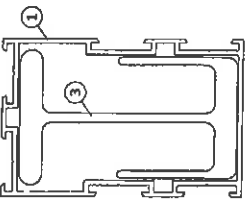


EXPRESS ENGINEERING
CORPORATE OFFICES
DEERFIELD BEACH, FL 33442
P (561) 394-6660 F (561) 394-9449
E: ENGINEERING@EXPRESS.COM
CENT. OF MATH 8835

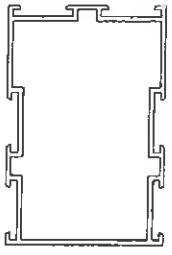
ELITE ALUMINUM CORPORATION
Building Innovation
4650 LYONS TECHNOLOGY PARKWAY
COCONUT CREEK, FL 32973
NON-IMPACT RATED
ELITE 2000 STOREFRONT GLAZING SYSTEM
FLORIDA STATEWIDE APPROVAL - P.F.L. #5499.2

REVISIONS	DATE	BY	CHK	APP	DESCRIPTION
1					

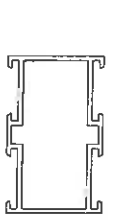
14-1439
QUALITY UNLESS NOTED
11



21013 VERTICAL MULLION WITH REINFORCEMENT TYPE 2



72" MAX. WIDTH ± 75 PSF MAX. PRESSURE ALL HEIGHTS.



21013 HORIZONTAL MULLION 55" MAX. WIDTH ± 56 PSF MAX. PRESSURE ALL HEIGHTS.

21013 HORIZONTAL MULLION

WITH AND WITHOUT HORIZONTALS

MULLION W/ REINFORCEMENT TYPE 2			
NOMINAL DIMS	HEIGHT (in.)	PRESSURES	
		NEGATIVE (Psi)	POSITIVE (Psi)
24	66	85	75
30		85	75
36		85	75
42		85	75
48		85	75
51		85	75
54		85	75
58%		85	75
66		85	75
72		85	75
78		85	75
84		85	75
90	85	75	
96	85	75	
99	85	75	

MULLION W/ REINFORCEMENT TYPE 2			
NOMINAL DIMS	HEIGHT (in.)	PRESSURES	
		NEGATIVE (Psi)	POSITIVE (Psi)
24	84	85	75
30		85	75
36		85	75
42		85	75
48		85	75
51		85	75
54		85	75
58%		85	75
66		85	75
72		85	75

MULLION W/ REINFORCEMENT TYPE 2			
NOMINAL DIMS	HEIGHT (in.)	PRESSURES	
		NEGATIVE (Psi)	POSITIVE (Psi)
24	102	85	75
30		85	75
36		85	75
42		85	75
48		85	75
51		85	75
54		85	75
58%		85	75

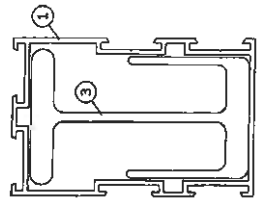
MULLION W/ REINFORCEMENT TYPE 2			
NOMINAL DIMS	HEIGHT (in.)	PRESSURES	
		NEGATIVE (Psi)	POSITIVE (Psi)
24	90	85	75
30		85	75
36		85	75
42		85	75
48		85	75
51		85	75
54		85	75
58%		85	75
66		85	75

MULLION W/ REINFORCEMENT TYPE 2			
NOMINAL DIMS	HEIGHT (in.)	PRESSURES	
		NEGATIVE (Psi)	POSITIVE (Psi)
24	108	85	75
30		85	75
36		85	75
42		85	75
48		85	75
51		85	75
54		85	75
58%		85	75

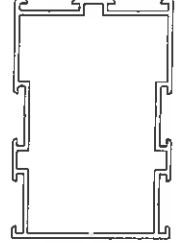
MULLION W/ REINFORCEMENT TYPE 2			
NOMINAL DIMS	HEIGHT (in.)	PRESSURES	
		NEGATIVE (Psi)	POSITIVE (Psi)
24	96	85	75
30		85	75
36		85	75
42		85	75
48		85	75
51		85	75
54		85	75
58%		85	75
66		85	75

MULLION W/ REINFORCEMENT TYPE 2			
NOMINAL DIMS	HEIGHT (in.)	PRESSURES	
		NEGATIVE (Psi)	POSITIVE (Psi)
24	109%	85	75
30		85	75
36		85	75
42		85	75
48		85	75
51		85	75
54		85	75
58%		85	75

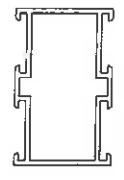
MULLION W/ REINFORCEMENT TYPE 2			
NOMINAL DIMS	HEIGHT (in.)	PRESSURES	
		NEGATIVE (Psi)	POSITIVE (Psi)
24	78	85	75
30		85	75
36		85	75
42		85	75
48		85	75
51		85	75
54		85	75
58%		85	75
66		85	75
72		85	75
78		85	75



210.13 VERTICAL MULLION WITH REINFORCEMENT TYPE 2



210.13 HORIZONTAL MULLION
72" MAX. WIDTH ± 75 PSI MAX. PRESSURE ALL HEIGHTS.



210.13 HORIZONTAL MULLION
55" MAX. WIDTH ± 56 PSI MAX. PRESSURE ALL HEIGHTS.

FRANK L. BERNARDI, P.E.
Professional Engineer
14-1439
001/28/2017
NO PREVIOUS VIOLATIONS
STATE OF FLORIDA
PROFESSIONAL ENGINEER
EXPRESS
CORPORATE OFFICE
4650 LYONS TECHNOLOGY PARKWAY
COONAUT CREEK, FL 32073
DEERFIELD BEACH, FL 33442
E: HELD@ENGINEERINGEXPRESS.COM
P: (561) 354-0800 F: (561) 354-0445
CENT OF ALTH 0828

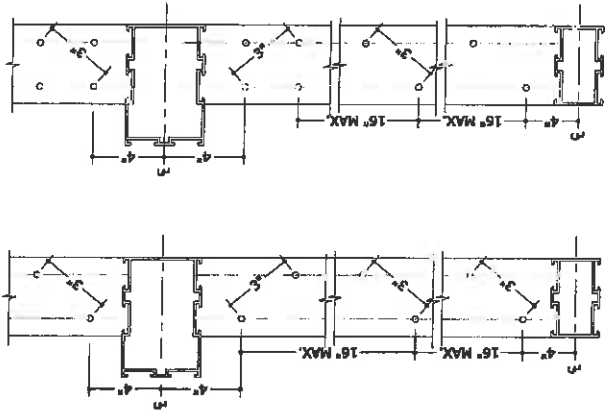
ELITE CORPORATION
Building Innovations
Panel Products
ELITE 2000 STORM-FRONT GLAZING SYSTEM
NON-IMPACT RATED
FLORIDA STATEWIDE APPROVAL-FL#L #5499.2

REVISION	DATE	BY	CHK	DESCRIPTION
01				

14-1439
8

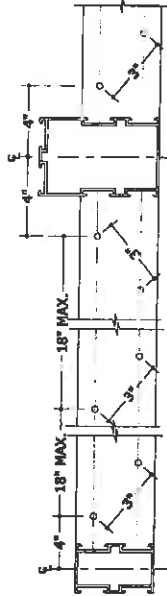
EXHIBIT NUMBERS NOTED
11

TYPICAL ELEVATION

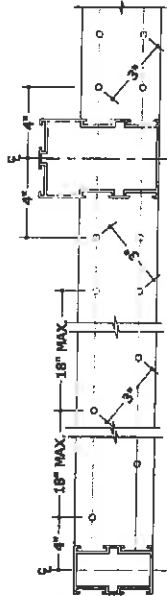


**JAMB ANCHOR LAYOUT
(INTO CONCRETE OR METAL)**

**JAMB ANCHOR LAYOUT
(INTO WOOD)**

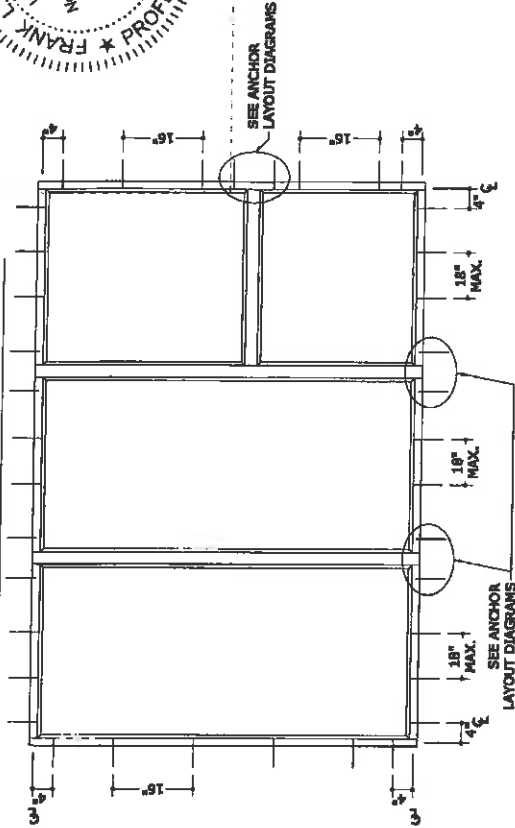


**HEAD/ SILL ANCHOR LAYOUT
(INTO CONCRETE OR METAL)**



**HEAD/ SILL ANCHOR LAYOUT
(INTO WOOD)**

ANCHOR SPACING LAYOUT



TYPICAL ANCHORS:

TYPE 'A'	CONCRETE	DIRECTLY INTO CONCRETE OR GROUT FILLED BLOCK (3000 PSI. MIN. / Fm=2000 Psi MIN.) 5/8" DIA. ULTRACON BY 'ELCO' (Fu=177 KSI, Fy=155 KSI) 1-1/2" MIN. EMBEDMENT
TYPE 'B'	WOOD	INTO 2BY WOOD BLOCKS OR WOOD STRUCTURES (STP#2 G=0.55 MIN. 1 1/4" MIN. THICKNESS) 5/16" DIA. ULTRACON BY 'ELCO' (Fu=177 KSI, Fy=155 KSI) 1-1/2" MIN. PENETRATION
TYPE 'C'	METAL	INTO METAL STRUCTURES (3 PINCHES PASS THE THREAD PLANE MIN.) STEEL: 1/4" THK MIN. (Fy=36 KSI MIN) ALUMINUM: 1/8" THK MIN. (6063-T5 MIN) 5/16-24 DIA. DRILL-FLEX BY 'ELCO' (GRADE 5 MIN) (STEEL IN CONTACT WITH ALUMINUM TO BE PLATED OR PAINTED)
		TYPICAL EDGE DISTANCE INTO CONCRETE/HOLLOW BLOCK/GROUT FILLED BLOCK= 2-1/2" MIN. INTO WOOD STRUCTURE = 1" MIN. INTO METAL STRUCTURE = 3/4" MIN.

FRANK L. BENNAR, P.E.
PROFESSIONAL ENGINEER
NO. 92488
10/28/2017

ENGINEERING EXPRESS
CORPORATE OFFICE
160 SW 12th AVE, SUITE 106
DEERFIELD BEACH, FL 33442
Tel: (561) 241-4040
Fax: (561) 241-4040
E: info@engineeringexpress.com

ELITE ALUMINUM
Landing Division
Panel Products

ELITE CORPORATION
4650 LYONS TECHNOLOGY PARKWAY
COCONUT CREEK, FL 33073

ELITE 2000 STORMWIND GLAZING SYSTEM
NON-IMPACT RATED
FLORIDA STATEWIDE APPROVAL-FR#FL #5499.2

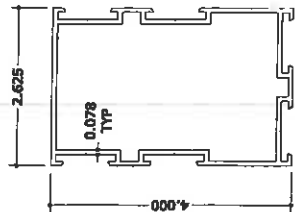
REVISIONS

NO.	DATE	DESCRIPTION
1	10/28/2017	ISSUED FOR PERMIT

14-1439

11

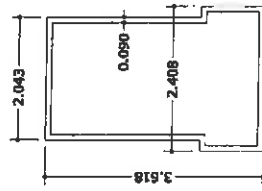
PARTS LIST



① VERTICAL MULLION



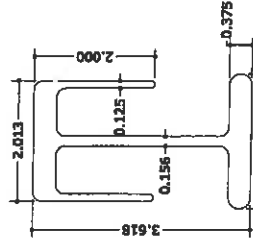
⑤ GLAZING CLIP (ROUNDED)



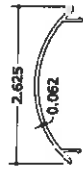
② VERTICAL MULLION INSERT (REIN.)



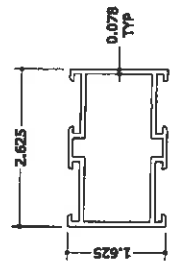
⑦ GLAZING CLIP (ROUNDED)



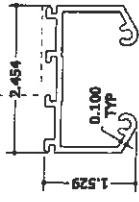
③ VERTICAL MULLION REINFORCEMENT



⑥ SNAP TRIM (ROUNDED)



④ PERIMETER EXTRUSION



⑤ CONNECTION BRACKET

PARTS LIST	
PART	MATERIAL PART No.
1 VERTICAL MULLION	ALU 6063-T5 21013
2 VERTICAL MULLION INSERT	ALU 6063-T6 APT-2510
3 VERTICAL MULLION REINFORCEMENT	ALU 6063-T5 22056
4 HEAD/ SILLY/ JAMB / HORIZ. INTERMEDIATE	ALU 6063-T5 21002
5 CONNECTION BRACKET	ALU 6063-T6 22001
6 GLAZING STOP	ALU 6063-T5 22119
7 GLAZING STOP	ALU 6063-T5 22107
8 SNAP TRIM	ALU 6063-T5 -

FRANK L. BENNA, P.E.
 LICENSE NO. 10089
 STATE OF FLORIDA
 PROFESSIONAL ENGINEER
 EXPIRES 10/31/2017

ENGINEERING EXPRESS
 CORPORATE OFFICE
 160 SW 12th AVE, SUITE 106
 DEERFIELD BEACH, FL 33442
 P (561) 294-0660 F (561) 294-0443
 E: INFO@ENGINEERINGEXPRESS.COM
 ENGINEERINGEXPRESS.COM
 CERT OF AUTH #5383

ELITE ALUMINUM CORPORATION
 Building Innovations
 ELITE
 Panel Products
 ELITE 2000 STOREFRONT GLAZING SYSTEM
 NON-IMPACT RATED
 FLORIDA STATEWIDE APPROVAL-FL #L #5499.2
 4650 LYONS TECHNOLOGY PARKWAY
 COCONUT CREEK, FL 33073

DATE	DESCRIPTION
10/20/17	ISSUE FOR PERMIT

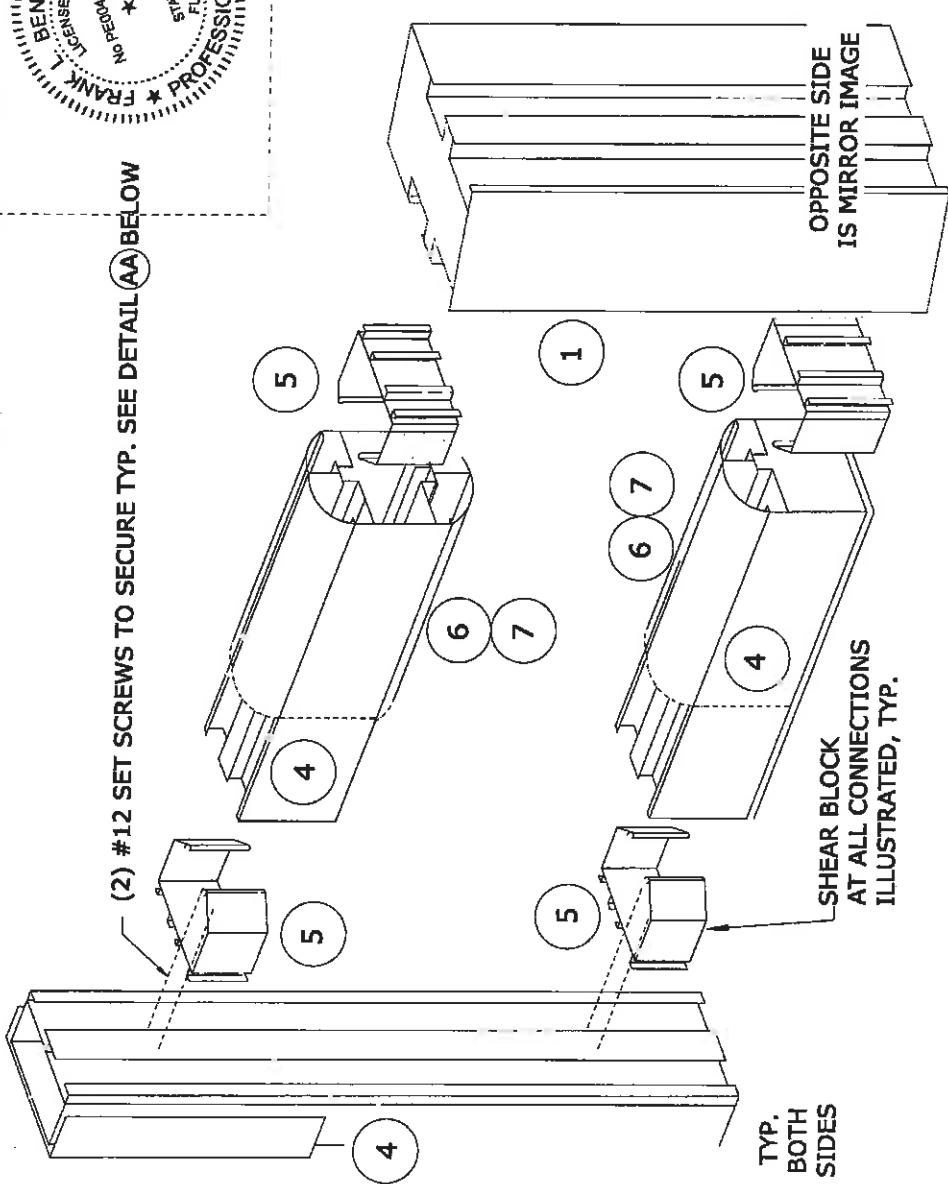
REVISIONS

DATE

14-1439
 11
 10

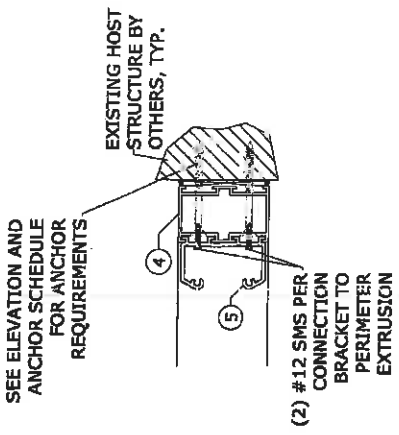
FRANK L. BENNARDI, P.E.
 NO. RE006968
 LICENSE
 STATE OF
 FLORIDA
 PROFESSIONAL ENGINEER

(2) #12 SET SCREWS TO SECURE TYP. SEE DETAIL AA BELOW



FRAME ASSEMBLY DETAIL

NOTE:
 SEAL ALL CORNERS WITH
 DOW 795 SILICONE OR
 C.R. LAURENCE SJ88
 NARROW JOINT SEALER.



CONNECTION BRACKET DETAIL

SECTION

AA N.T.S.

FRANK L. BENNARDI, P.E.
 NO. RE006968
 LICENSE
 STATE OF
 FLORIDA
 PROFESSIONAL ENGINEER

EXPRESS ENGINEERING
 CORPORATE OFFICE
 160 SW 12th AVE, SUITE 106
 DEERFIELD BEACH, FL 33442
 E: HAL@EXPRESSENGINEERING.COM
 P: (561) 224-0999 F: (561) 224-0943
 CENT. OF AUTH. #9633

ELITE ALUMINUM CORPORATION
 Building Knowledge
 4650 LYONS TECHNOLOGY PARKWAY
 COCONUT CREEK, FL 33073
 ELITE 2000 STOREFRONT GLAZING SYSTEM
 NON-IMPACT RATED
 FLORIDA STATEWIDE APPROVAL-FL#FL #5495.2

REV	DATE	DESCRIPTION
1	01/20/2017	ISSUED FOR PERMIT ONLY
2	01/20/2017	ISSUED FOR PERMIT ONLY
3	01/20/2017	ISSUED FOR PERMIT ONLY
4	01/20/2017	ISSUED FOR PERMIT ONLY
5	01/20/2017	ISSUED FOR PERMIT ONLY
6	01/20/2017	ISSUED FOR PERMIT ONLY
7	01/20/2017	ISSUED FOR PERMIT ONLY

14-1439

SCALE: N.T.S. UNLESS NOTED OTHERWISE

11



Product Evaluation Report

October 20, 2017

Application Number: FL# 5499.2-R4
EX Project Number: 14-1439

Product Manufacturer: Elite Aluminum Corporation
Manufacturer Address: 4650 Lyons Technology Parkway
Coconut Creek, FL 33073

Product Name & Description: Elite 2000 Aluminum Storefront Glazing System
Non-Impact Resistant

Scope of Evaluation:

This Product Evaluation Report is being issued in accordance with the requirements of the Florida Department of Business and Professional Regulation (Florida Building Commission) Rule Chapter 61G20-3.005, F.A.C., for statewide acceptance per Method 1(d). The product noted above has been tested and/or evaluated as summarized herein to show compliance with the Florida Building Code Sixth Edition (2017) and is, for the purpose intended, at least equivalent to that required by the Code. Re-evaluation of this product shall be required following pertinent Florida Building Code modifications or revisions.

Substantiating Data:

- **PRODUCT EVALUATION DOCUMENTS**

EX drawing #14-1439 titled "Elite 2000 Aluminum Storefront Glazing System Non-Impact Resistant", sheets 1-11, prepared by Engineering Express, signed & sealed by Frank L. Bennardo, P.E. is an integral part of this Evaluation Report.

- **TEST REPORTS**

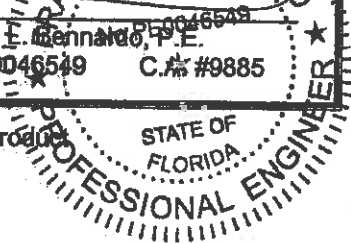
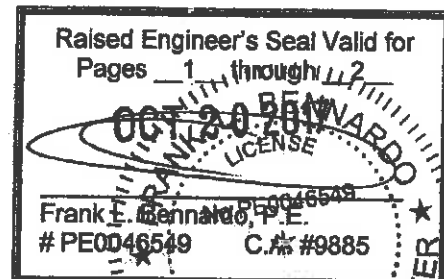
Uniform static structural performance has been tested in accordance with TAS 202 test standards per test report(s) #00-030 by Construction Testing Corporation (CTC). Signed by Yamil G. Kuri, P.E.

- **STRUCTURAL ENGINEERING CALCULATIONS**

Structural engineering calculations have been prepared which evaluate the product based on comparative and/or rational analysis to qualify the following design criteria:

1. Maximum Allowable Spans
2. Minimum Allowable Pressures
3. Anchor Spacing
4. Glass Capacity

No 33% increase in allowable stress has been used in the design of this product.



Impact Resistance:

Large and/or small missile Impact Resistance has NOT been demonstrated as evidenced in previously listed test reports, and is NOT accounted for in the engineering design of this product.

Wind Load Resistance

This product has been designed to resist wind loads as indicated in the span schedule(s) on the Product Evaluation Document (i.e. engineering drawing).

Installation

The product listed above shall be installed in strict compliance with the Product Evaluation Document (i.e. engineering drawing), along with all components noted therein.

The product components shall be of the material specified in the Product Evaluation Document (i.e. engineering drawing).

Limitations & Conditions of Use:

Use of this product shall be in strict accordance with the Product Evaluation Document (i.e. engineering drawing) as noted herein.

All supporting host structures shall be designed to resist all superimposed loads and shall be of a material listed in this product's respective anchor schedule. Host structure conditions which are not accounted for in this product's respective anchor schedule shall be designed for on a site-specific basis by a registered professional engineer.

All components which are permanently installed shall be protected against corrosion, contamination, and other such damage at all times.

This product has been designed for use within and outside the High Velocity Hurricane Zone (HVHZ).



October 20, 2017

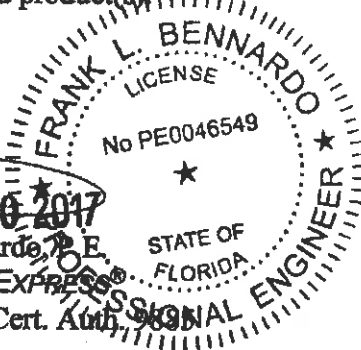
Florida Department of Business and Professional Regulation
1940 North Monroe Street, Tallahassee FL 32399

Regarding: Elite Aluminum Corporation
Elite 2000 Aluminum Storefront Glazing Systems
Project #14-1439

To Whom It May Concern:

Please be advised that the below-signed engineer does not have nor will acquire a financial interest in the company manufacturing or distributing the product(s) for which an evaluation report or validation certification has been prepared, as referenced above. This engineer is not owned, operated, nor controlled by the manufacturer or distributor noted above and does not have any financial interest in any other entity involved in the approval process of the above-noted product(s).

Respectfully,


Frank L. Bennardo, P.E.
ENGINEERING EXPRESS®
#PE0046549 | Cert. Auth. #895

160 SW 12TH AVENUE SUITE 106, DEERFIELD BEACH, FLORIDA 33442
PHONE: (954) 354-0660 - FAX: (954) 354-0443
ENGINEERINGEXPRESS.COM