



[BCIS Home](#) |
 [Log In](#) |
 [User Registration](#) |
 [Hot Topics](#) |
 [Submit Surcharge](#) |
 [Stats & Facts](#) |
 [Publications](#) |
 [FBC Staff](#) |
 [BCIS Site Map](#) |
 [Links](#) |
 [Search](#)



Product Approval
USER: Public User

[Product Approval Menu](#) >
 [Product or Application Search](#) >
 [Application List](#) >
 Application Detail



FL #	FL11020-R3								
Application Type	Revision								
Code Version	2017								
Application Status	Approved								
Comments									
Archived									
Product Manufacturer	Elite Aluminum Corporation								
Address/Phone/Email	4650 Lyons Technology Parkway Coconut Creek, FL 33073 (954) 949-3200 dk@doklengineering.net								
Authorized Signature	Frank Bennardo frank@engineeringexpress.com								
Technical Representative	Bruce Peacock								
Address/Phone/Email	4650 Lyons Technology Parkway Coconut Creek, FL 33073 (954) 949-3200 bpeacock@elitealuminum.com								
Quality Assurance Representative									
Address/Phone/Email									
Category	Windows								
Subcategory	Horizontal Slider								
Compliance Method	Evaluation Report from a Florida Registered Architect or a Licensed Florida Professional Engineer Evaluation Report - Hardcopy Received								
Florida Engineer or Architect Name who developed the Evaluation Report	Frank L. Bennardo								
Florida License	PE-0046549								
Quality Assurance Entity	QAI Laboratories								
Quality Assurance Contract Expiration Date	04/30/2021								
Validated By	Troy Bishop, P.E. <input type="checkbox"/> Validation Checklist - Hardcopy Received								
Certificate of Independence	FL11020 R3 COI Indep1.pdf FL11020 R3 COI Indep2.pdf								
Referenced Standard and Year (of Standard)	<table border="0"> <thead> <tr> <th>Standard</th> <th>Year</th> </tr> </thead> <tbody> <tr> <td>TAS 201</td> <td>1994</td> </tr> <tr> <td>TAS 202</td> <td>1994</td> </tr> <tr> <td>TAS 203</td> <td>1994</td> </tr> </tbody> </table>	Standard	Year	TAS 201	1994	TAS 202	1994	TAS 203	1994
Standard	Year								
TAS 201	1994								
TAS 202	1994								
TAS 203	1994								
Equivalence of Product Standards Certified By									
Sections from the Code									

Product Approval Method Method 1 Option D

Date Submitted 08/15/2017
 Date Validated 08/28/2017
 Date Pending FBC Approval 08/29/2017
 Date Approved 10/10/2017

Summary of Products

FL #	Model, Number or Name	Description
11020.1	Elite 3000 Horizontal Sliding Window, LMI	Elite 3000 Horizontal Sliding Window Large Missile Impact Resistant
Limits of Use Approved for use in HVHZ: Yes Approved for use outside HVHZ: Yes Impact Resistant: Yes Design Pressure: +60/-65 Other: Refer to engineering drawing for limitations of use.		Installation Instructions FL11020_R3_II_Dwg1_.pdf Verified By: Frank L. Bennardo #PE0046549 Created by Independent Third Party: Yes Evaluation Reports FL11020_R3_AE_Eval1.pdf Created by Independent Third Party: Yes
11020.2	Elite 3000 Horizontal Sliding Window, NI	Elite 3000 Horizontal Sliding Window Non-Impact Resistant
Limits of Use Approved for use in HVHZ: Yes Approved for use outside HVHZ: Yes Impact Resistant: No Design Pressure: +55/-55 Other: Refer to engineering drawing for limitations of use.		Installation Instructions FL11020_R3_II_Dwg2_.pdf Verified By: Frank L. Bennardo # PE0046549 Created by Independent Third Party: Yes Evaluation Reports FL11020_R3_AE_Eval2.pdf Created by Independent Third Party: Yes

[Back](#) [Next](#)

Contact Us :: 2601 Blair Stone Road, Tallahassee FL 32399 Phone: 850-487-1824

The State of Florida is an AA/EEO employer. [Copyright 2007-2013 State of Florida](#). :: [Privacy Statement](#) :: [Accessibility Statement](#) :: [Refund Statement](#)

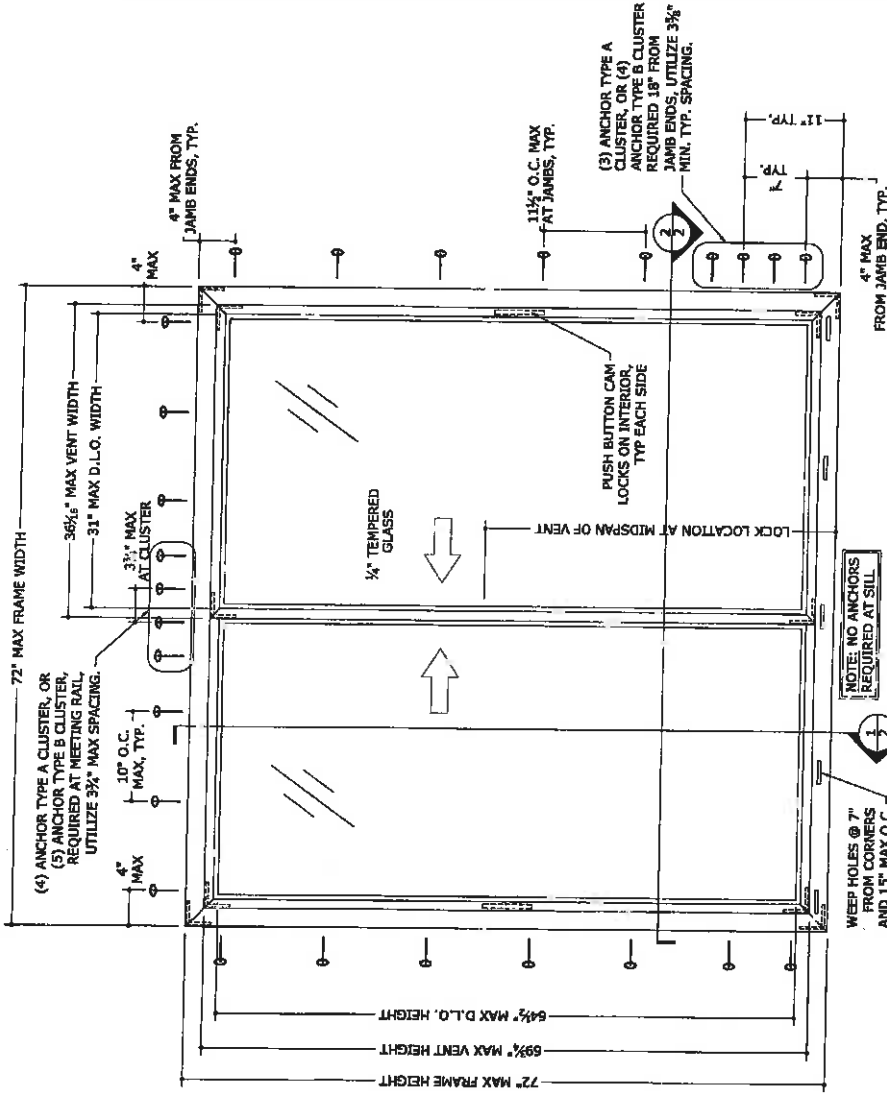
Under Florida law, email addresses are public records. If you do not want your e-mail address released in response to a public-records request, do not send electronic mail to this entity. Instead, contact the office by phone or by traditional mail. If you have any questions, please contact 850.487.1395. *Pursuant to Section 455.275(1), Florida Statutes, effective October 1, 2012, licensees licensed under Chapter 455, F.S. must provide the Department with an email address if they have one. The emails provided may be used for official communication with the licensee. However email addresses are public record. If you do not wish to supply a personal address, please provide the Department with an email address which can be made available to the public. To determine if you are a licensee under Chapter 455, F.S., please click [here](#).



Credit Card
Safe



ELITE 3000 HORIZONTAL SLIDING WINDOW NON-IMPACT RESISTANT



1 TYPICAL EXTERIOR ELEVATION
N.T.S.

NON-IMPACT APPROVED
MAXIMUM ALLOWABLE DESIGN PRESSURES
+/- 55 PSF

DESIGN NOTES:

POSITIVE AND NEGATIVE DESIGN PRESSURES CALCULATED FOR USE WITH THIS SYSTEM SHALL BE DETERMINED BY OTHERS ON A JOB-SPECIFIC BASIS IN ACCORDANCE WITH THE GOVERNING CODE. SITE-SPECIFIC PRESSURE REQUIREMENTS AS DETERMINED IN ACCORDANCE WITH ASCE 7 AND THE FLORIDA BUILDING CODE SHALL BE LESS THAN OR EQUAL TO THE MAXIMUM ALLOWABLE DESIGN PRESSURE CAPACITY VALUES LISTED HEREIN FOR ANY ASSEMBLY AS SHOWN.

GENERAL NOTES:

- THIS SYSTEM DESCRIBED HEREIN HAS BEEN DESIGNED AND TESTED IN ACCORDANCE WITH THE FLORIDA BUILDING CODE SIXTH EDITION (2017) PER TAS 202 & ASTM E1300-04 STANDARDS FOR USE WITHIN AND OUTSIDE THE HIGH VELOCITY HURRICANE ZONE (HVHZ).
- THIS SYSTEM UTILIZES 1/4" TEMPERED GLASS, AND IS NON-IMPACT RATED. IF REQUIRED, ADDITIONAL IMPACT RESISTANCE MUST BE PROVIDED FOR USE WITH THIS ELITE 3000 HORIZONTAL SLIDING WINDOW-LARGE MISSILE IMPACT RESISTANT (FLPL1020.1) FOR THE WINDOW FRAME REGION OF THIS SYSTEM.
- EXTERIOR SEAM OF FRAME CORNER SHALL BE SEALED WITH STRUCTURAL SILICONE. SEE DETAIL 1/3 FOR MORE INFORMATION.
- MULTIPLE UNITS MAY BE INSTALLED USING STRUCTURAL MULLIONS OR OTHER SYSTEM SUPPORTS PER SEPARATE CERTIFICATION.
- NO 3/4" SUPPORTS OR AN ALLOWABLE STRESS HAS BEEN USED IN THE DESIGN OF THIS SYSTEM. WIND LOAD DURATION FACTOR Cd=1.6 HAS BEEN USED FOR WOOD ANCHOR DESIGN.
- THE ARCHITECT/ENGINEER OF RECORD FOR THE PROJECT SUBSTRUCTURE WITH FINISHING SURFACES TO THIS DESIGN WHICH SHALL BE COORDINATED BY THE PERMITTING AGENCY AND LOCAL CODES (BY OTHERS) SHALL BE ANCHORED PROPERLY TO TRANSFER LOADS TO THE EXISTING STRUCTURE.
- THE SYSTEM DETAILED HEREIN IS DESIGNED AND DOES NOT PROVIDE INFORMATION FOR A SPECIFIC SITE. FOR SITE CONDITIONS DIFFERENT FROM THE INFORMATION DETAILED HEREIN, A LICENSED ENGINEER OR REGISTERED ARCHITECT SHALL PREPARE ALL ALUMINUM DOCUMENTS WHICH SHALL BE EQUIVALENT TO OR GREATER THAN THE MINIMUM ALLOYS AND TEMPER AS SPECIFIED IN THE BILL OF MATERIALS. SEE SHEET 3 FOR MORE INFORMATION.
- ALL ULTRACONS SPECIFIED HEREIN REFER TO ELCO CARBON STEEL ULTRACONS DESIGNED TO 3" MIN. THICK 3.515 PSI MIN. NON-CRACKED CONCRETE. OR ASTM C-90 MANUFACTURER'S RECOMMENDED (BY OTHERS). INSTALL ALL CONCRETE ANCHORS PER NOTED OTHERWISE. FASTENERS SHALL BE CADMIUM-PLATED FOR UNLESS OTHERWISE NOTED OTHERWISE. FASTENERS SHALL COMPLY WITH "SPECIFICATIONS FOR APPLICABLE STRUCTURES" SECTION 3.3.7.2 BY THE ALUMINUM ASSOCIATION, INC., & ANY APPROVED TEST REPORTS. STATE, AND/OR LOCAL CODES.
- ALL 3/8" OR 1/2" STATE, AND/OR LOCAL CODES.
- THE CONTRACTOR IS RESPONSIBLE TO INSULATE ALL MEMBERS FROM DISSIMILAR MATERIALS TO PREVENT ELECTROLYSIS.
- USE OF ENGINEER SEAL AFFIXED HERE TO VALIDATES STRUCTURAL DESIGN AS SHOWN ONLY. THIS ENGINEER SEAL AFFIXED HERE TO CONTRACTOR, E.I. INDENTIFIES & SAVES HARMLESS RESULTING FROM MATERIAL FABRICATION SYSTEMS FROM A CONSTRUCTION PRACTICES BEYOND THAT WHICH IS CALLED FOR BY LOCAL, STATE, & FEDERAL CODES & FROM DEVIATIONS OF THIS PLAN.
- ALL AFFIRMATIONS ARE EXPRESSLY PROVIDED HEREIN, NO ADDITIONAL CERTIFICATIONS OR AFFIRMATIONS, ADDITIONS, OR OTHER MARKINGS TO THIS DOCUMENT ARE NOT PERMITTED AND INVALIDATE THIS CERTIFICATION.
- PRODUCT SHALL BE PERMANENTLY LABELED WITH A MINIMUM OF ONE LABEL PER WINDOW CONTAINING THE FOLLOWING:
 COORDINATE, FLORIDA
 TAS 201, ASTM E1300-04
 APPROVED BY FLORIDA BUILDING COMMISSION
 FLORIDA PRODUCT APPROVAL NUMBER
- THIS SYSTEM DETAILED HEREIN HAS BEEN TESTED PER THE TEST STANDARD(S) LISTED, ALSO PER THE TEST REPORT # HETI-06-2139 BY HURRICANE ENGINEERING AND TESTING, INC.
- SAFEGUARDS MUST BE OBSERVED (NOT IN THIS CERTIFICATION)

FRANK L. BERNARDO, P.E.
 No. PE0006549
 STATE OF FLORIDA
 PROFESSIONAL ENGINEER

ELITE ENGINEERING
 160 SW 12TH AVENUE, SUITE 200
 DEERFIELD BEACH, FL 33442
 PH: (561) 354-0000 FAX: (561) 354-0048
 WWW.ELITEENGINEERINGPRESS.COM
 CERT. OF AUTH. #6648

ELITE ALUMINUM CORPORATION
 Building Innovation
 4650 Lyons Technology Parkway
 Coconut Creek, FL 33073

ELITE 3000 XH HORIZONTAL SLIDING WINDOW
 NON-IMPACT RESISTANT
 FLORIDA STATEWIDE APPROVAL-FL-11020.2

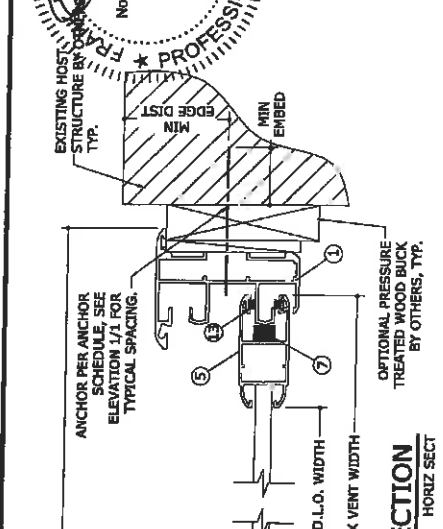
ITEM	DATE	REVISIONS
1	08/22/20	ISSUE FOR PERMITS
2	08/22/20	ISSUE FOR PERMITS
3	08/22/20	ISSUE FOR PERMITS

14-1442b
 PANEL ELEVATION/SECTION

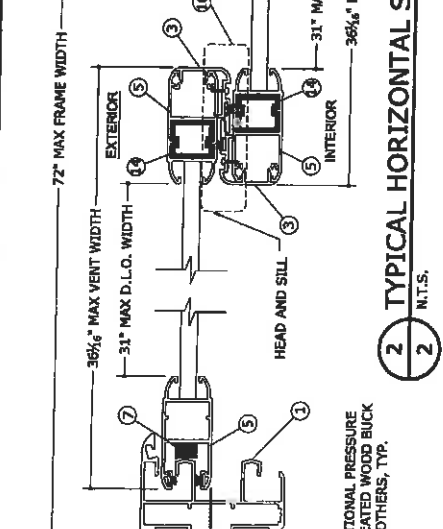
FRANK L. REINOLDO, P.E.
 PROFESSIONAL ENGINEER
 No. PR00046548
 STATE OF FLORIDA
 CERT. OF AUTH. #0000000000
 WWW.ENGINEERINGPRESS.COM
 160 SW 12th Avenue, #106
 Deerfield Beach, FL 33442
 Tel: (561) 394-0660 Fax: (561) 394-0661
 E: HELD@ENGINEERINGPRESS.COM

ELITE CORPORATION
 Building Innovation
 4650 Lyons Technology Parkway
 Coconut Creek, FL 33073
 ELITE 3000 XK HORIZONTAL SLIDING WINDOW
 NON-IMPACT RESISTANT
 FLORIDA STATEWIDE APPROVAL-FL#11020.2

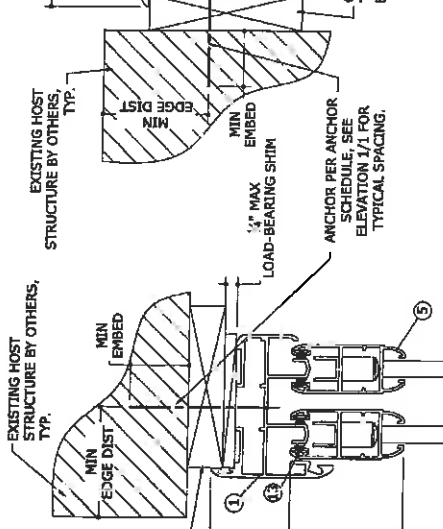
REV	DATE	DESCRIPTION
1	08/22/05	ISSUED FOR PERMITS
2	01/28/06	REVISED PER COMMENTS
3	01/28/06	REVISED PER COMMENTS
4	01/28/06	REVISED PER COMMENTS
5	01/28/06	REVISED PER COMMENTS
6	01/28/06	REVISED PER COMMENTS
7	01/28/06	REVISED PER COMMENTS
8	01/28/06	REVISED PER COMMENTS
9	01/28/06	REVISED PER COMMENTS
10	01/28/06	REVISED PER COMMENTS
11	01/28/06	REVISED PER COMMENTS
12	01/28/06	REVISED PER COMMENTS
13	01/28/06	REVISED PER COMMENTS
14	01/28/06	REVISED PER COMMENTS
15	01/28/06	REVISED PER COMMENTS
16	01/28/06	REVISED PER COMMENTS
17	01/28/06	REVISED PER COMMENTS
18	01/28/06	REVISED PER COMMENTS
19	01/28/06	REVISED PER COMMENTS
20	01/28/06	REVISED PER COMMENTS
21	01/28/06	REVISED PER COMMENTS
22	01/28/06	REVISED PER COMMENTS
23	01/28/06	REVISED PER COMMENTS
24	01/28/06	REVISED PER COMMENTS
25	01/28/06	REVISED PER COMMENTS
26	01/28/06	REVISED PER COMMENTS
27	01/28/06	REVISED PER COMMENTS
28	01/28/06	REVISED PER COMMENTS
29	01/28/06	REVISED PER COMMENTS
30	01/28/06	REVISED PER COMMENTS
31	01/28/06	REVISED PER COMMENTS
32	01/28/06	REVISED PER COMMENTS
33	01/28/06	REVISED PER COMMENTS
34	01/28/06	REVISED PER COMMENTS
35	01/28/06	REVISED PER COMMENTS
36	01/28/06	REVISED PER COMMENTS
37	01/28/06	REVISED PER COMMENTS
38	01/28/06	REVISED PER COMMENTS
39	01/28/06	REVISED PER COMMENTS
40	01/28/06	REVISED PER COMMENTS
41	01/28/06	REVISED PER COMMENTS
42	01/28/06	REVISED PER COMMENTS
43	01/28/06	REVISED PER COMMENTS
44	01/28/06	REVISED PER COMMENTS
45	01/28/06	REVISED PER COMMENTS
46	01/28/06	REVISED PER COMMENTS
47	01/28/06	REVISED PER COMMENTS
48	01/28/06	REVISED PER COMMENTS
49	01/28/06	REVISED PER COMMENTS
50	01/28/06	REVISED PER COMMENTS
51	01/28/06	REVISED PER COMMENTS
52	01/28/06	REVISED PER COMMENTS
53	01/28/06	REVISED PER COMMENTS
54	01/28/06	REVISED PER COMMENTS
55	01/28/06	REVISED PER COMMENTS
56	01/28/06	REVISED PER COMMENTS
57	01/28/06	REVISED PER COMMENTS
58	01/28/06	REVISED PER COMMENTS
59	01/28/06	REVISED PER COMMENTS
60	01/28/06	REVISED PER COMMENTS
61	01/28/06	REVISED PER COMMENTS
62	01/28/06	REVISED PER COMMENTS
63	01/28/06	REVISED PER COMMENTS
64	01/28/06	REVISED PER COMMENTS
65	01/28/06	REVISED PER COMMENTS
66	01/28/06	REVISED PER COMMENTS
67	01/28/06	REVISED PER COMMENTS
68	01/28/06	REVISED PER COMMENTS
69	01/28/06	REVISED PER COMMENTS
70	01/28/06	REVISED PER COMMENTS
71	01/28/06	REVISED PER COMMENTS
72	01/28/06	REVISED PER COMMENTS
73	01/28/06	REVISED PER COMMENTS
74	01/28/06	REVISED PER COMMENTS
75	01/28/06	REVISED PER COMMENTS
76	01/28/06	REVISED PER COMMENTS
77	01/28/06	REVISED PER COMMENTS
78	01/28/06	REVISED PER COMMENTS
79	01/28/06	REVISED PER COMMENTS
80	01/28/06	REVISED PER COMMENTS
81	01/28/06	REVISED PER COMMENTS
82	01/28/06	REVISED PER COMMENTS
83	01/28/06	REVISED PER COMMENTS
84	01/28/06	REVISED PER COMMENTS
85	01/28/06	REVISED PER COMMENTS
86	01/28/06	REVISED PER COMMENTS
87	01/28/06	REVISED PER COMMENTS
88	01/28/06	REVISED PER COMMENTS
89	01/28/06	REVISED PER COMMENTS
90	01/28/06	REVISED PER COMMENTS
91	01/28/06	REVISED PER COMMENTS
92	01/28/06	REVISED PER COMMENTS
93	01/28/06	REVISED PER COMMENTS
94	01/28/06	REVISED PER COMMENTS
95	01/28/06	REVISED PER COMMENTS
96	01/28/06	REVISED PER COMMENTS
97	01/28/06	REVISED PER COMMENTS
98	01/28/06	REVISED PER COMMENTS
99	01/28/06	REVISED PER COMMENTS
100	01/28/06	REVISED PER COMMENTS



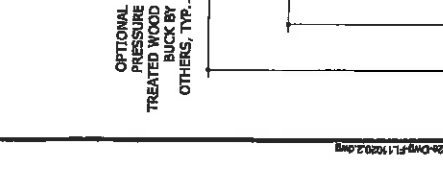
2 TYPICAL HORIZONTAL SECTION
 N.T.S.
 2



2 TYPICAL HORIZONTAL SECTION
 N.T.S.
 2



2 TYPICAL HORIZONTAL SECTION
 N.T.S.
 2

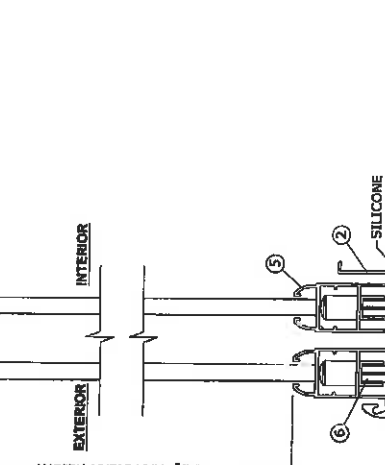


2 TYPICAL HORIZONTAL SECTION
 N.T.S.
 2

- ANCHOR NOTES:**
1. SEE EXTERIOR ELEVATION 1/1 FOR ANCHOR LOCATIONS AND/OR SPACING.
 2. ANCHORS SHALL BE INSTALLED IN ACCORDANCE WITH MANUFACTURERS' RECOMMENDATIONS.
 3. PROVIDE 3/4" MIN. EDGE DISTANCE TO ALUMINUM SUBSTRATE AND 1/4" MIN. EDGE DISTANCE TO STEEL.
 4. ALL CONCRETE ANCHORS SHALL BE INSTALLED TO NON-CRACKED CONCRETE ONLY.
 5. WOOD-HOST STRUCTURE SHALL BE "SOUTHERN PINE" G=0.55 OR GREATER DENSITY.
 6. MINIMUM EMBEDMENT SHALL BE AS NOTED IN ANCHOR SCHEDULE. MINIMUM EMBEDMENT AND EDGE DISTANCE EXCLUDES STUCCO, FOAM, BRICK, AND OTHER WALL FINISHES.
 7. WHERE EXISTING STRUCTURE IS WOOD FRAMING, FASTENERS ARE INTO ADEQUATE WOOD FRAMING MEMBERS, NOT INTO PLYWOOD.
 11. WOOD BUCKS (BY OTHERS) SHALL BE ANCHORED PROPERLY TO TRANSFER LOADS TO THE EXISTING STRUCTURE.

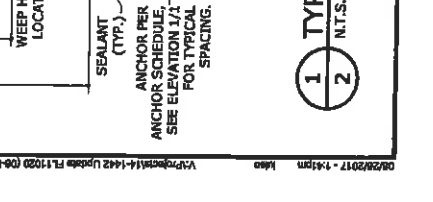
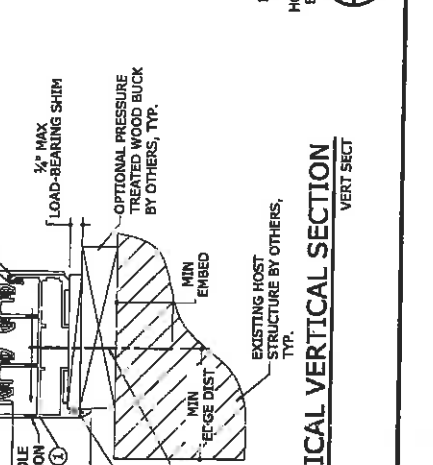
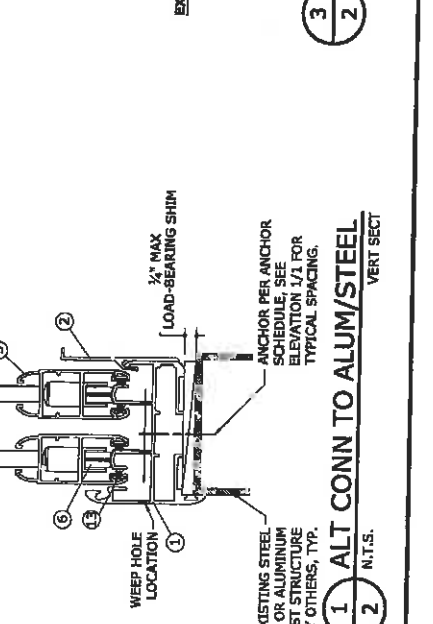
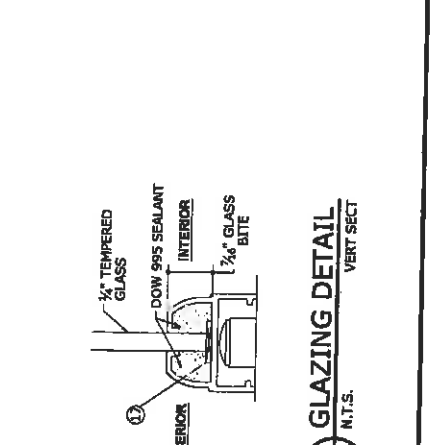
ANCHOR SCHEDULE:

ANCHOR TYPE	ANCHOR DESCRIPTION
"A"	<ul style="list-style-type: none"> • 5/16" ELO ULTRACON (1 1/2" MIN EMBED TO 3" MIN. THICK 3515 PSI MIN. NON-CRACKED CONCRETE, 2 1/2" MIN. EDGE DISTANCE). • 5/16" ELO ULTRACON (1 1/2" MIN EMBED TO HOLLOW BLOCK, OR 2 1/2" MIN EMBED TO GROUT FILLED BLOCK, 4" MIN. EDGE DISTANCE). • 3/4" SWS INTO 6063-T6 MIN. ALUMINUM OR A36 MIN. STEEL (1/8" MIN. THICKNESS). PROVIDE (5) PINCHES MIN. PAST THREAD PLANE.
"B"	<ul style="list-style-type: none"> • 3/8" LAG SCREW INTO 2x WOOD BUCK OR WOOD STRUCTURE (2 1/2" MIN. THREAD PENETRATION, 7/8" MIN. EDGE DISTANCE).



1 ALT CONN TO ALUM/STEEL
 N.T.S.
 2

1 TYPICAL VERTICAL SECTION
 N.T.S.
 2



1 TYPICAL VERTICAL SECTION
 N.T.S.
 2

3 GLAZING DETAIL
 N.T.S.
 2

3 GLAZING DETAIL
 N.T.S.
 2

3 GLAZING DETAIL
 N.T.S.
 2

3 GLAZING DETAIL
 N.T.S.
 2

3 GLAZING DETAIL
 N.T.S.
 2

3 GLAZING DETAIL
 N.T.S.
 2

3 GLAZING DETAIL
 N.T.S.
 2

3 GLAZING DETAIL
 N.T.S.
 2

3 GLAZING DETAIL
 N.T.S.
 2

3 GLAZING DETAIL
 N.T.S.
 2

3 GLAZING DETAIL
 N.T.S.
 2

3 GLAZING DETAIL
 N.T.S.
 2

3 GLAZING DETAIL
 N.T.S.
 2

3 GLAZING DETAIL
 N.T.S.
 2

3 GLAZING DETAIL
 N.T.S.
 2

3 GLAZING DETAIL
 N.T.S.
 2

3 GLAZING DETAIL
 N.T.S.
 2



ENGINEERING EXPRESS® EXPERT PRODUCT EVALUATION REPORT

August 11, 2017

Application Number: FL# 11020.2-R3
FLB Project Number: 14-1442b

Product Manufacturer: Elite Aluminum Corp.
Manufacturer Address: 4650 Lyons Technology Parkway
Coconut Creek, FL 33073

Product Name & Description: Elite 3000 Horizontal Sliding Window, NI
Elite 3000 Horizontal Sliding Window Non-Impact Resistant

Scope of Evaluation:

This Product Evaluation Report is being issued in accordance with the requirements of the Florida Department of Business and Professional Regulation (Florida Building Commission) Rule Chapter 61G20-3.005, F.A.C., for statewide acceptance per Method 1(d). The product noted above has been tested and/or evaluated as summarized herein to show compliance with the Florida Building Code Sixth Edition (2017) and is, for the purpose intended, at least equivalent to that required by the Code. Re-evaluation of this product shall be required following pertinent Florida Building Code modifications or revisions.

Substantiating Data:

- **PRODUCT EVALUATION DOCUMENTS**

FLB drawing #14-1442b titled "Elite 3000 Horizontal Sliding Window, Non-Impact Resistant", sheets 1-3, prepared by Engineering Express, signed & sealed by Frank L. Bennardo, P.E. is an integral part of this Evaluation Report.

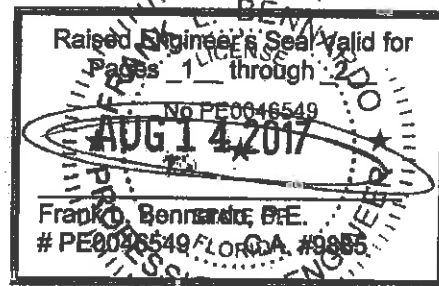
- **TEST REPORTS**

Uniform static structural performance has been tested in accordance with TAS 202-94 test standards per test report(s) #HETI-08-2139 by Hurricane Engineering & Testing, Inc (HETI). Signed and sealed by Candido Font, P.E.

- **STRUCTURAL ENGINEERING CALCULATIONS**

Structural engineering calculations have been prepared which evaluate the product based on comparative and/or rational analysis to qualify the following design criteria:

1. Anchor Spacing
2. Maximum Allowable Size/Pressure Combinations
3. Glass Capacity
4. Anchor Capacity



No 33% increase in allowable stress has been used in the design of this product.

E.X.P.E.R.T. PRODUCT EVALUATION REPORT (CONTINUED)***Impact Resistance:***

Large / Small Missile Impact Resistance has NOT been demonstrated as evidenced in previously listed test reports, and is accounted for in the engineering design of this product.

Wind Load Resistance

This product has been designed to resist wind loads as indicated in the span schedule(s) on the Product Evaluation Document (i.e. engineering drawing).

Installation

The product listed above shall be installed in strict compliance with the Product Evaluation Document (i.e. engineering drawing), along with all components noted therein.

The product components shall be of the material specified in the Product Evaluation Document (i.e. engineering drawing).

Limitations & Conditions of Use:

Use of this product shall be in strict accordance with the Product Evaluation Document (i.e. engineering drawing) as noted herein.

All supporting host structures shall be designed to resist all superimposed loads and shall be of a material listed in this product's respective anchor schedule. Host structure conditions which are not accounted for in this product's respective anchor schedule shall be designed for on a site-specific basis by a registered professional engineer.

All components which are permanently installed shall be protected against corrosion, contamination, and other such damage at all times.

This product has been designed for use within and outside the High Velocity Hurricane Zone (HVHZ).



August 11, 2017

Florida Department of Business and Professional Regulation
1940 North Monroe Street, Tallahassee FL 32399

Regarding: Elite Aluminum Corp.
Elite 3000 Horizontal Sliding Window, LMI
Project #14-1442a

To Whom It May Concern:

Please be advised that the below-signed engineer does not have nor will acquire a financial interest in the company manufacturing or distributing the product(s) for which an evaluation report or validation certification has been prepared, as referenced above. This engineer is not owned, operated, nor controlled by the manufacturer or distributor noted above and does not have any financial interest in any other entity involved in the approval process of the above-noted product(s).

Respectfully,

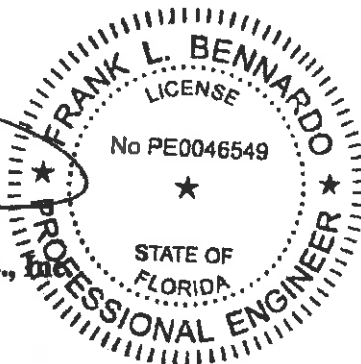
AUG 14 2017

Frank L. Bennardo, P.E.

Frank L. Bennardo, P.E., Inc.

FL PE 0046549

Cert of Auth #9885





August 11, 2017

Florida Department of Business and Professional Regulation
1940 North Monroe Street, Tallahassee FL 32399

Regarding: Elite Aluminum Corp.
Elite 3000 Horizontal Sliding Window, NI
Project #14-1442b

To Whom It May Concern:

Please be advised that the below-signed engineer does not have nor will acquire a financial interest in the company manufacturing or distributing the product(s) for which an evaluation report or validation certification has been prepared, as referenced above. This engineer is not owned, operated, nor controlled by the manufacturer or distributor noted above and does not have any financial interest in any other entity involved in the approval process of the above-noted product(s).

Respectfully,

~~AUG 14 2017~~

Frank L. Bennardo, P.E.
Frank L. Bennardo, P.E., Inc.
FL PE 0046549
Cert of Auth #9885

