



AIR OPERATED NORMALLY OPEN/CLOSED *Valves*



PREMIER INDUSTRIES

1590 99th Ln NE,
Minneapolis, MN 55449
763-786-4020



MADE IN THE USA

Minneapolis, MN

DESCRIPTION

Premier AO Series, Air Operated Valves are designed for both normally open and normally closed use with gas or hydraulic media. Offered in a wide range of process pressures, Cv ratings, and materials, Premier AO valves were designed with the flexibility to integrate seamlessly into your application.

FEATURES

- High operating pressures
- High flow capacities
- Optional solenoid valve actuator
- Robust design for long cycle life
- Customize and optimize to meet your unique requirement (*contact Premier*)

The design of our Premier AO valve is remarkably flexible.

Contact Premier Industries for a custom AO valve to meet your exact needs.



AIR OPERATED NORMALLY OPEN/CLOSED Valves

AO SERIES

SPECIFICATIONS

- **MAXIMUM INLET PRESSURE :**
 - P/N: 70-00347: 10000 psig / 689.5 bar
 - P/N: 70-00379: 10000 psig / 689.5 bar
 - P/N: 70-00312: 20000 psig / 1378.95 bar
- **ACTUATION PRESSURE RANGE:**
 - P/N: 70-00347: 100-150 psig / 6.89-10.3 bar
 - P/N: 70-00379: 100-150 psig / 6.89-10.3 bar
 - P/N: 70-00312: 115-150 psig / 7.93-10.3 bar
- **FLOW (Cv):**
 - P/N: 70-00347: 0.80
 - P/N: 70-00379: 2.0
 - P/N: 70-00312: 0.20 (*with 1/4" medium pressure ports*)

MATERIALS OF CONSTRUCTION

PROCESS SIDE WETTED:

- **BODY/INSERT/STEM MATERIAL OPTIONS:**
 - See regulator selection charts
- **MAIN VALVE SEAT:**
 - P/N: 70-00347 & 70-00379: Vespel-SP-1®
 - P/N: 70-00312: Vespel-SCP5000®
- **O-RING SEAL OPTIONS:**
 - See regulator selection charts
- **LUBRICANT:**
 - Krytox 240AC (*standard*)
 - Molykote 44 medium lubricant (*special mod*)

ACTUATOR SIDE WETTED:

- **PISTON PLUG:**
 - 303 Stainless Steel
- **BONNET:**
 - P/N: 70-00347 & 70-00379: 303 Stainless Steel
 - P/N: 70-00312: 17-4 H900 Stainless Steel

NON-WETTED:

- **BACK-UP RINGS:**
 - P/N: 70-00347 & 70-00379:
 - PTFE
 - PEEK®
 - P/N: 70-00312:
 - PEEK®

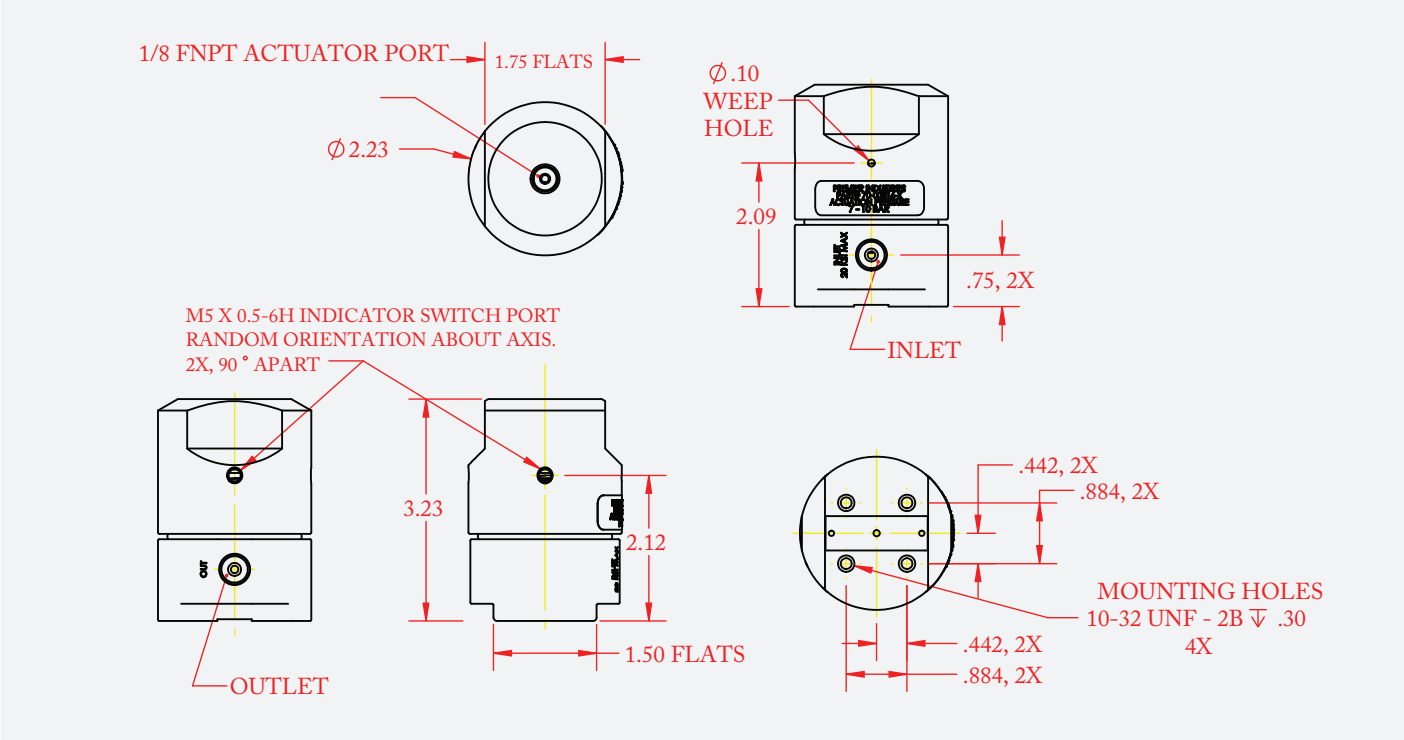
PORTING

- **INLET & OUTLET OPTIONS:**
 - See regulator selection chart
- **ACTUATION PORT:**
 - 1/8" (F)NPT

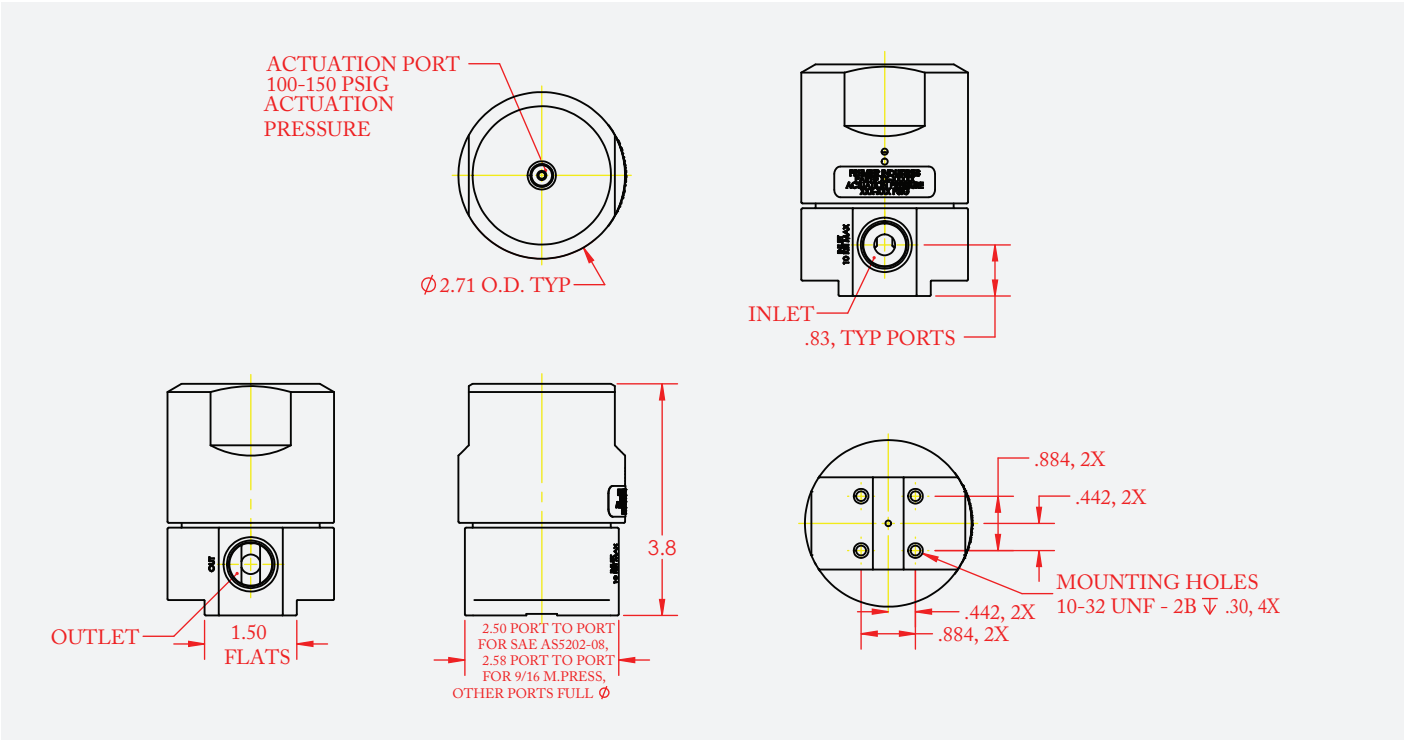
OPTIONS

- Private label
- Solenoid valve
- Indicator switch
- Gauges

**AIR OPERATED
 NORMALLY OPEN/CLOSED**
Valves



Part numbers 70-00312 and 70-00347-X-XX-21 shown above



Part number 70-00379-X-XX-31 shown above



**AIR OPERATED
NORMALLY OPEN/CLOSED**
Valves



Cv 0.8, 10000 PSIG MAX INLET

PART #	-	1	-	2	3	-	4	5	-	MODS (OPTIONAL)
70-00347	-		-			-			-	

1	TYPE
1	Normally Closed
2	Normally Open
2	BODY/INSERT MATERIAL
1	303 Stainless Steel
2	316 Stainless Steel
3	O-RING MATERIAL
1	Buna-n
2	Viton®
3	EPDM
4	Kalrez® <i>Contact factory for pricing</i>
5	Polyurethane

4	PROCESS PORTS (& GAGE)
1	1/4 FNPT
2	3/8 FNPT
3	SAE AS5202-04
4	1/4 MEDIUM PRESSURE <i>(Medium pressure porting is only available with Cv 0.2)</i>
5	1/4 NPTF
5	ACTUATION PORT
1	1/8 FNPT

SPECIAL MODS**	
OMITTED	NONE
1	INDICATOR SWITCH
2	SOLENOID VALVE ACTUATOR
3	GAUGE PORTS
4	MOLYKOTE 44 MEDIUM LUBRICANT

****CONSULT PREMIER INDUSTRIES IF ORDERING SPECIAL MODS, OR IF UNLISTED CONFIGURATIONS ARE REQUIRED. ADD ALL MODS TO END OF PART# (EX. 70-00347-1-12-41-13)**

Kalrez® & Viton® are registered trademarks of E.I.duPont de Nemours and Company.

D/C: 210302



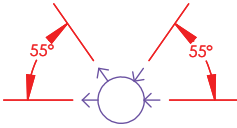
**AIR OPERATED
NORMALLY OPEN/CLOSED**
Valves



Cv 0.20, 20000 PSIG MAX INLET

PART #	-	1	2	3	-	MODS (OPTIONAL)
70-00312	-				-	

1	TYPE
1	Normally Closed
2	Normally Open
2	PORTING
1	1/4 Medium Pressure
3	O-RING SEALS
1	Buna-n
2	Viton®
3	EPDM
4	Neoprene
5	Kalrez® <i>Contact factory for pricing</i>

SPECIAL MODS**	
OMITTED	NONE
1	GAUGE PORTS 
2	SOLENOID VALVE
3	INDICATOR SWITCH
4	MOLYKOTE 44 MEDIUM LUBRICANT

****CONSULT PREMIER INDUSTRIES IF ORDERING SPECIAL MODS,
OR IF UNLISTED CONFIGURATIONS ARE REQUIRED.
ADD ALL MODS TO END OF PART# (EX. 70-00347-1-1-3-5-1-1-4)**

Kalrez® & Viton® are registered trademarks of E.I.duPont de Nemours and Company.

D/C: 210302



**AIR OPERATED
NORMALLY OPEN/CLOSED**
Valves




Cv 2.0, 10000 PSIG MAX INLET

PART #	-	1	-	2	3	-	4	5	-	MODS
70-00379	-		-			-			-	

1	TYPE
1	Normally Open
2	Normally Closed
2	BODY/INSERT/STEM MATERIAL
1	303 Stainless Steel & 17-4 Stainless Steel,
2	316 Stainless Steel
3	O-RING MATERIAL
1	Buna-n
2	Viton-A®
3	EPDM
4	Kalrez®

4	PROCESS PORTS
1	1/2 (F)NPT
2	3/8 (F)NPT
3	SAE AS5202-08
4	9/16 Medium pressure
5	ACTUATION PORT
1	1/8 (F)NPT

SPECIAL MODS**	
BLANK	None
1	Indicator switch***
2	Solenoid valve
3	Gauge ports 
4	Molykote 44 medium lubricant
5	Indicator switch installed***
<i>***See page 6 for indicator switch modifications*</i>	

****CONSULT PREMIER INDUSTRIES IF ORDERING SPECIAL MODS, OR IF UNLISTED CONFIGURATIONS ARE REQUIRED. ADD ALL MODS TO END OF PART# (EX. 70-00379-1-12-41-1)**

Kalrez® & Viton® are registered trademarks of E.I.duPont de Nemours and Company.

**AIR OPERATED
 NORMALLY OPEN/CLOSED**
Valves

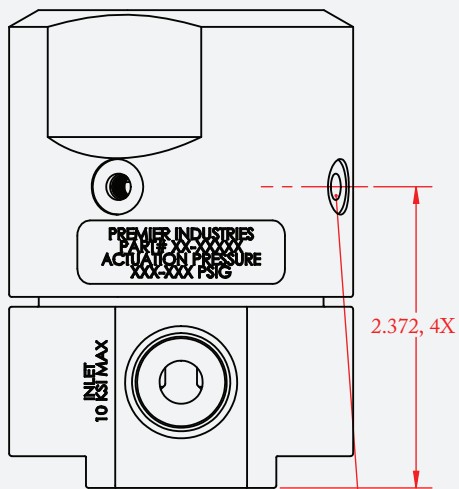


**INDICATOR SWITCH PORT
 MOD REFERENCE:**

**INDICATOR SWITCH INSTALLED
 MOD REFERENCE:**

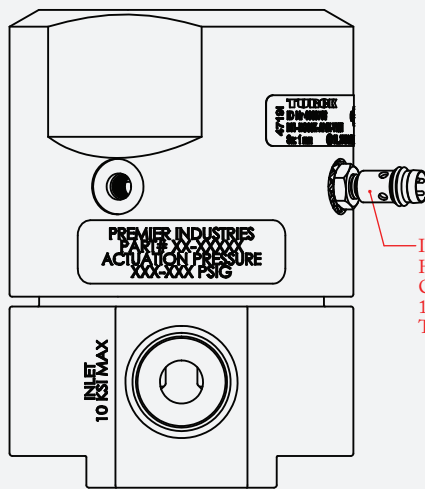
(THIS MOD ALSO INCLUDES SWITCH PORTING
 PER "-1" MOD TO THE LEFT.)

70-00379-X-XX-XX-1



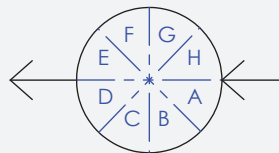
M5 X 05-6H INDICATOR
 SWITCH PORT. RANDOM
 ORIENTATION ABOUT
 AXIS. 4X, 90° APART.

70-00379-X-XX-XX-5(-XX)



INDICATOR SWITCH: SST
 HOUSING, PLASTICS AND
 CERAMICS ACTIVE FACE.
 10...30 VDC: 100 mA
 TURK BI1-EG05K-AP6X-V1331

SWITCH POSITION SELECTOR:
 TOP VIEW (SEE VIEW 70-00379
 SELECTION CHART)



SWITCH POSITION SELECTOR:
 USE DIAGRAM TO THE LEFT TO SELECT A QUADRANT
 TO INSTALL THE SWITCH BY SPECIFYING 2 LETTERS AT
 THE END OF THE PART#. (APPLICABLE TO
 "INDICATOR SWITCH INSTALLED" MOD ONLY.)

70-00379-X-XX-XX-5-XX
 --- 2 LETTER
 CODE

EXAMPLE:

70-00379-X-XX-XX-5-DE
 (THIS WOULD SPECIFY THE SWITCH TO BE INSTALLED
 NEAR THE VALVE'S OUTLET PORT)