



AIR LOADED
HIGH PRESSURE, 20K
HYDRAULIC
Pressure Reducing Regulators



PREMIER INDUSTRIES

1590 99th Ln NE,
Minneapolis, MN 55449
763-786-4020



MADE IN THE USA

Minneapolis, MN

DESCRIPTION

Premier 6025AL Series air loaded, hydraulic, high pressure, pressure reducing regulators are piston sensed, single staged, pressure reducing regulators rated for inlet and outlet pressures up to 20000 PSIG (1378.95 bar), and Cv 0.06, 0.12, or 0.30. Premier 6025AL series hydraulic regulators feature a hardened stainless steel seat. Captured venting allows media to be safely piped away.

FEATURES

- Rated for pressures up to 20000 PSIG (1378.95 bar)
- Compatible with electro pneumatic controllers
- Flow capacity (Cv): 0.06, 0.12, or 0.30
- Durable hardened stainless steel seat
- Captured venting
- Very competitive pricing
- Machined bar stock body, bonnet and piston eliminates porosity found in castings



**AIR LOADED
HIGH PRESSURE, 20K
HYDRAULIC**
Pressure Reducing Regulators



SPECIFICATIONS

- **MAXIMUM INLET PRESSURE:** 20000 PSIG (1378.95 bar)
- **MAXIMUM LOAD PRESSURE:** 100 PSIG (6.89 bar)
- **CONTROL PRESSURE RANGE:**
 - 25-3000 PSIG (1.72-206.84 bar)
Diameter: 0.656"
Area: 0.338 in²
Ratio: 37/1 **
 - 50-6000 PSIG (3.45-413.69 bar)
Diameter: 0.462"
Area: 0.1676 in²
Ratio: 75/1 **
 - 100 - 10000 psig (6.89-689.48 bar)
Diameter: 0.362"
Area: 0.1029 in²
Ratio: 122/1 **
 - 300-15000 PSIG (20.68 - 1034.21 bar)
Diameter: 0.313"
Area: 0.0769 in²
Ratio: 163/1 **
 - 500-20000 PSIG (34.47 - 1378.95 bar)
Diameter: 0.25"
Area: 0.0491 in²
Ratio: 256/1 **

** 4.0" diameter diaphragm
Diaphragm area: 12.5664 in²

- **FLOW (Cv):** 0.06, 0.12, or 0.30
 - **OPERATING TEMPERATURE:**
 - -15°F/-26°C to 165°F/74°C (BUNA-N)
 - -4°F/-20°C to 165°F/74°C (VITON®)
 - -65°F/-54°C to 165°F/74°C (EPDM)
- **lower temperature compounds available upon request

MATERIALS OF CONSTRUCTION

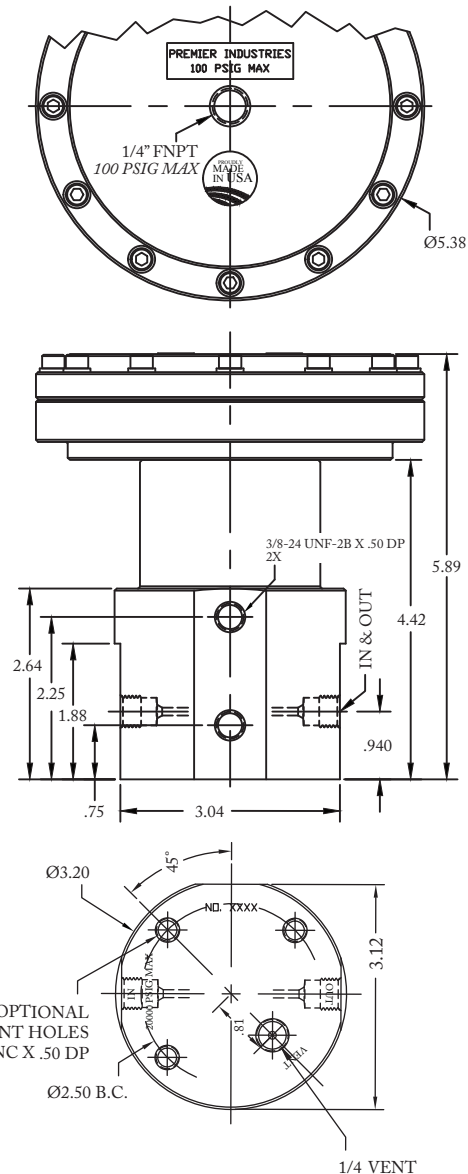
- **WETTED PARTS, OTHER:**
 - 316 Stainless Steel
 - 17-4 Stainless Steel
- **VALVES:**
 - 17-4 Stainless Steel, hardened
- **HOUSING, AIR ACTUATOR:**
 - 6061-T6 Aluminum, Clear Anodized
- **DIAPHRAGM, AIR ACTUATOR:**
 - Neoprene, Nylon Fabric Reinforced
- **O-RING OPTIONS:**
 - BUNA-N
 - Aflas®
 - Viton®
 - EPDM
 - KALREZ® (Contact factory for pricing)
- **BACK-UP RINGS:** PCTFE & PEEK®
- **VALVE SEAT:** 17-4 Stainless Steel, Hardened

PORTING

- **INLET/ OUTLET/VENT PORTING OPTIONS:**
 - 1/4" Medium pressure, High Pressure
 - 3/8" Medium pressure, High Pressure
- **LOAD PORT:** 1/4" FNPT standard,
see mods on pg. 3 for other load port options
- **OPTIONAL GAUGE PORT:** 1/4" FNPT (standard)

OPTIONAL ITEMS

- Private label
- Panel mounting bracket: P/N: 30-10500
(2.53 in panel hole)



(Part number 30-10215AL shown above)



**AIR LOADED
HIGH PRESSURE, 20K
HYDRAULIC**
Pressure Reducing Regulators



PART #:	-	1	2	3	4	5	-	6	7	-	MODS
30-10215AL	-						-			-	

1	OUTLET PRESSURE
3	25 - 3000 psig (1.72-206.84 bar)
6	50 - 6000 psig (3.45-413.69 bar)
7	100 - 10000 psig (6.89-689.48 bar)
8	300 - 15000 psig (20.68-1034.21 bar)
9	500 - 20000 psig (34.47-1378.95 bar)
2	FLOW (Cv)
0	Cv 0.06
1	Cv 0.12
3	Cv 0.30
3	PORTING CONFIG.
B	
S	

4	PORT SIZE (IN/OUT)
4	1/4"
6	3/8"
<p><i>VENT PORT: 1/4" inlet/outlet port type</i> <i>OPTIONAL GAUGE PORT: 1/4" FNPT (standard)</i> <i>LOAD PORT: 1/4" FNPT standard, see mods for additional load port options.</i></p>	
5	PORT TYPE (IN/OUT/VENT)
4	Medium pressure
5	High pressure
6 7	O-RINGS
00	BUNA-N
01	AFLAS®
02	VITON®
05	EPDM
11	KALREZ® <i>(Contact factory for pricing)</i>

MODIFICATIONS	
BLANK	NONE
AS	1/4 AS5202 LOADER PORT
E	1/8 NPT LOADER PORT
J	1/4 SAE J1926 LOADER PORT
PTU	PORT TYPE UNIFORM
SM	SURFACE MOUNT

20000 PSIG MAX INLET (stainless steel)

The end user is responsible to ensure adequate fittings are used to connect regulator to plumbing.

Kalrez® & Viton® are registered trademarks of E.I.duPont de Nemours and Company

Aflas® is a registered trademark of the Asahi Glass Co., Ltd. Contact factory for material certifications. Fees may apply.