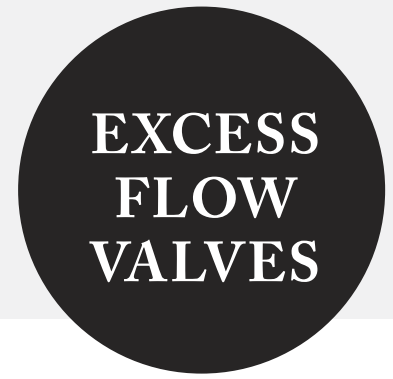




## MINIATURE HIGH PRESSURE & HIGH SENSITIVITY *Excess Flow Prevention Valves*



### PREMIER INDUSTRIES

1590 99th Ln NE,  
Minneapolis, MN 55449  
763-786-4020



*Miniature* | EFPV  
(P/N: 70-00186)



*High Pressure* | EFPV\_HP  
(P/N: 70-00194)



*High Sensitivity* | EFPV\_HS  
(P/N: 70-00233)



**MADE IN THE USA**  
Minneapolis, MN

### DESCRIPTION

Premier Excess Flow Prevention Valves are unique factory adjustable gas valves designed to automatically shut off the flow of gas when flow exceeds a preset level. These valves are designed to protect systems and/or people in the event of a line failure down the stream from a valve.

Premier excess flow valves are available in three unique designs. The miniature EFPV operates on systems between 30 and 200 PSIG (2.07 and 13.79 bar), offering a wide range of factory adjustable trip points. The high pressure EFPV\_HP includes all the features of the EFPV with an extended operating range (100 to 3000 PSIG / 6.89 - 206.84 bar). The high sensitivity EFPV\_HS valve is ten times more sensitive than the aforementioned models, offering an extended low range system pressure down to 5 PSIG (0.34 bar) and the lowest settable trip-point of the three valves. Flow rates can be preset at the factory location to meet customer specifications.

After a valve has tripped it can be reset with a convenient integrated reset valve / slider that will allow users to quickly get their systems back up and running (*after repairing the leak which caused the valve to trip*). Premier Excess Flow Valves are remarkably flexible with a variety of available construction materials, multiple porting configurations, a wide range of operating pressures and factory adjustable trip points.

*The Premier excess flow prevention valves design is remarkably flexible.  
Contact Premier Industries for a custom excess flow prevention valve to meet your exact needs.*

### FEATURES

- Factory adjustable flow trip point
- Convenient integrated bypass valve/reset slider
- Inlet pressures up to 3000 PSIG (172.37 bar) (EFPV\_HP)
- Complete shut off when tripped (no bleed)
- High Sensitivity model can trip with a pressure differential under 5 PSIG (0.34 bar) (EFPV\_HS)
- Compact size (EFPV)
- Very competitive pricing
- Models are available for both corrosive and non-corrosive service
- Machined bar stock bodies eliminate porosity found in castings

# EXCESS FLOW VALVES

## MINIATURE EFPV Excess Flow Prevention Valves



### SPECIFICATIONS

- **OPERATING RANGE:** 30 - 200 PSIG (2.07-13.79 bar)
- **LEAK RATE:** Bubble tight with nitrogen gas
- **FLOW TRIP POINT:** adjustable at factory location to meet customer specifications (see chart for capabilities)
- **WEIGHT:** approx. .15 lbs

### MATERIALS OF CONSTRUCTION

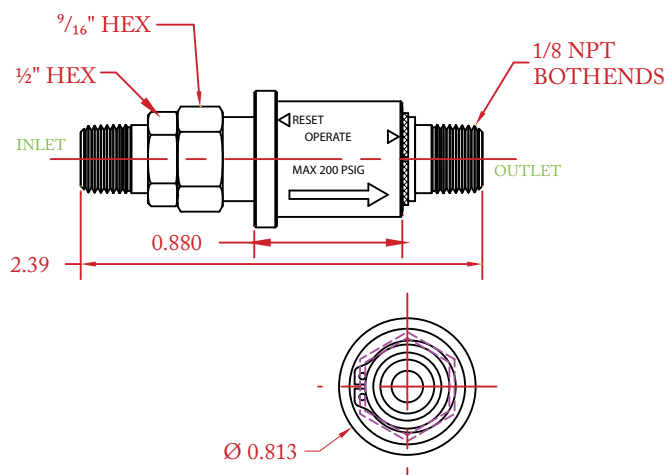
- **WETTED COMPONENTS\*\*:**
  - 6061-T6 Aluminum/ Clear Anodized
  - 303 Stainless Steel
  - SAE 360 BRASS/Bright Dip
- **SEALS:**
  - Viton®
  - BUNA-N
  - Neoprene
  - EPDM

### PORTING

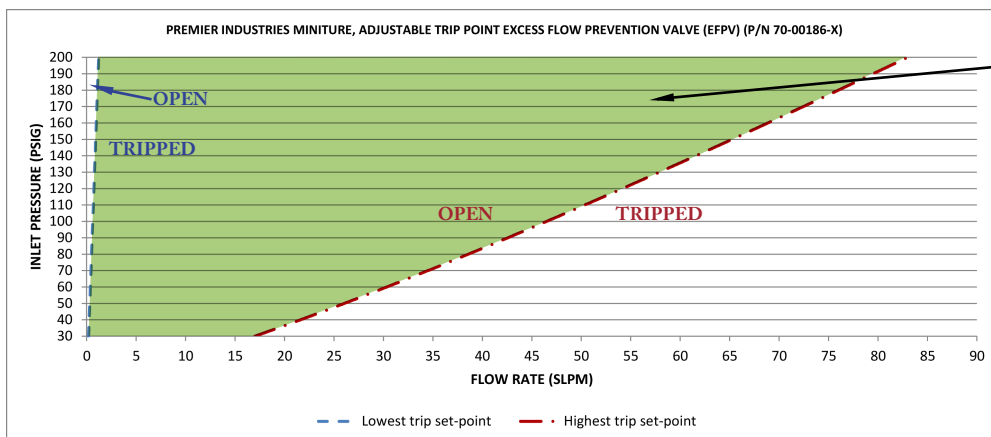
- **INLET CONNECTION:**
  - 1/8-27 NPT
- **OUTLET CONNECTION:**
  - 1/8-27 NPT

### OPTIONS

- Anodized Colors for Aluminum Bodies
- Private Label



(Part number: 70-00186 shown above)



The trip point can be set anywhere within the shaded green area.

Flow rates indicated reflect valve capabilities using nitrogen gas.

Viton® is a registered trademark of E.I. duPont de Nemours and Company

\*\*Stainless steel components also used in aluminum & brass options

Contact factory for material certifications. Fees may apply.

D/C: 161605

# EXCESS FLOW VALVES

## HIGH PRESSURE EFPV\_HP Excess Flow Prevention Valves



### SPECIFICATIONS

- **MAXIMUM INLET PRESSURE:** 100 - 3000 PSIG  
(6.89 - 206.84 bar)
- **LEAK RATE:** Bubble tight with nitrogen gas
- **FLOW TRIP POINT :** Adjustable at factory location to meet customer specifications  
(see chart for capabilities)
- **WEIGHT:** approximately .75 lbs

### MATERIALS OF CONSTRUCTION

- **PISTON:** 303 Stainless Steel
- **NEEDLE VALVE:** 18-8 Stainless Steel
- **BYPASS STEM AND NUT:** 303 stainless steel
- **BYPASS VALVE KNOB:** 6061-T6 Aluminum/black anodized
- **SPRING:** 300 series stainless steel
- **SEAL MATERIAL:**
  - BUNA-N
  - Viton-A®
  - Neoprene
  - EPDM

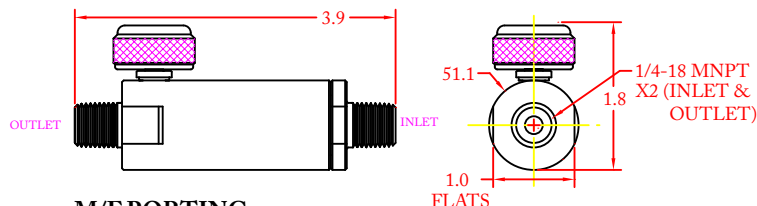
### PORTING

- **INLET CONNECTION OPTIONS:**
  - 1/4-18 FNPT
  - 1/4-18 MNPT
- **OUTLET CONNECTION OPTIONS:**
  - 1/4-18 FNPT
  - 1/4-18 MNPT

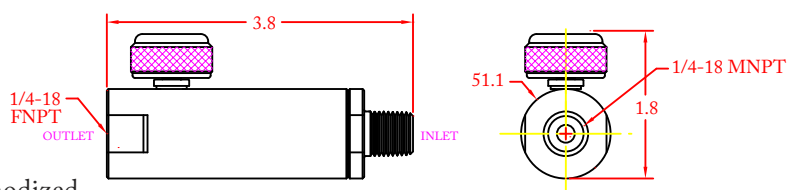
### OPTIONS

- Anodized Colors for Aluminum Bodies & Bonnets
- Private Label

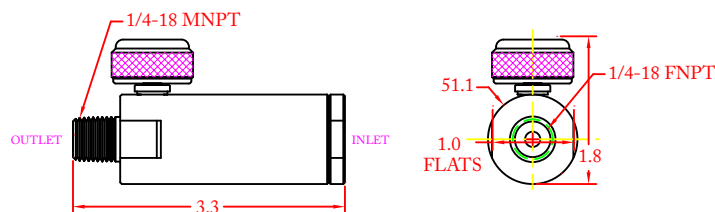
#### M/M PORTING



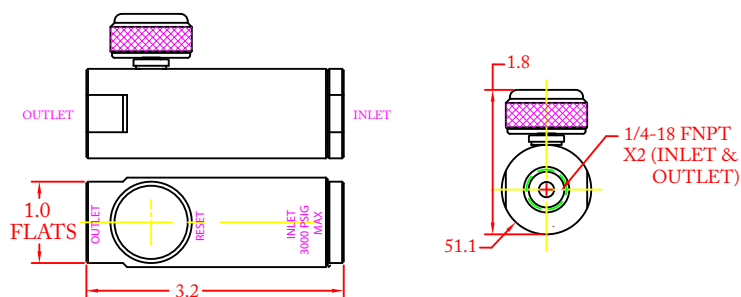
#### M/F PORTING



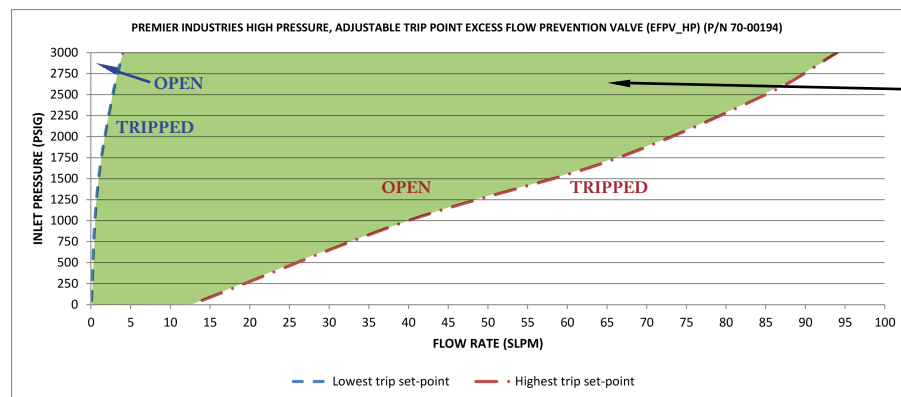
#### F/M PORTING



#### F/F PORTING



(Part number: 70-00194 shown above)



The trip point can be set anywhere within the shaded green area.

Flow rates indicated reflect valve capabilities using nitrogen gas.

Viton-A® is a registered trademarks of E.I. duPont de Nemours and Company  
\*Stainless steel components also used in aluminum option  
Contact factory for material certifications. Fees may apply.

# EXCESS FLOW VALVES

## HIGH SENSITIVITY EFPV\_HS Excess Flow Prevention Valves



### SPECIFICATIONS

- **OPERATING RANGE:** 5 - 200 PSIG (0.34 - 13.79 bar)
- **LEAK RATE:** Bubble tight with nitrogen gas
- **FLOW TRIP POINT:** adjustable at factory location to meet customer specifications

### MATERIALS OF CONSTRUCTION

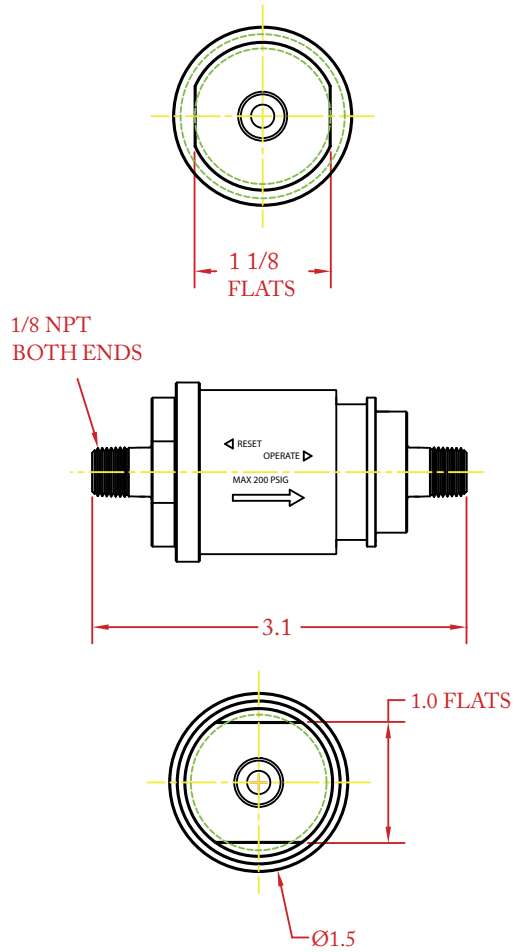
- **WETTED MATERIALS\*\*:**
  - 6061-T6 Aluminum / Clear Anodized
  - 303 Stainless Steel
  - SAE 360 Brass / Bright Dip
- **SEAL MATERIAL:**
  - BUNA-N
  - Viton-A®
  - Neoprene
  - EPDM

### PORTING

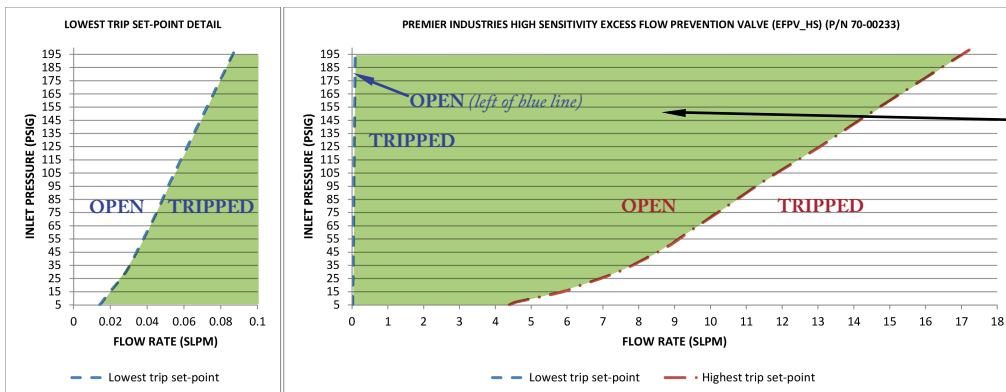
- **INLET CONNECTION:**
  - 1/8-27 NPT
- **OUTLET CONNECTION:**
  - 1/8-27 NPT

### OPTIONS

- Anodized Colors for Aluminum Bodies
- Private Label



(Part number: 70-00233 shown above)



The trip point can be set anywhere within the shaded green area.

Flow rates indicated reflect valve capabilities using nitrogen gas.

Viton® is a registered trademarks of E.I. du Pont de Nemours and Company  
 \*\*Stainless steel components also used in aluminum & brass options  
 Contact factory for material certifications. Fees may apply.