



DOME LOADED HYDRAULIC HIGH PRESSURE *Back Pressure Regulators*



PREMIER INDUSTRIES

1590 99th Ln NE,
Minneapolis, MN 55449
763-786-4020



MADE IN THE USA

Minneapolis, MN

DESCRIPTION

The Premier 6100DL Series dome loaded, hydraulic, piston sensed, high pressure, back pressure regulators feature control pressures up to 6000 PSIG (413.69 bar), and Cv 0.06, 0.14, or 0.2. Premier 6100DL Series regulators are used to regulate to a broad range of non-corrosive and corrosive media (*based on materials of construction*).

FEATURES

- Compatible with electro pneumatic controllers
- 1:1 dome load
- Cv 0.06, 0.14, 0.2 (*Cv 0.4 model available upon request*)
- Control pressures up to 6000 PSIG (413.69 bar)
- Very competitive pricing
- Machined bar stock body, bonnet and piston eliminates porosity found in castings
- Gas versions available
- Designs available with bias spring



DOME LOADED HYDRAULIC HIGH PRESSURE *Back Pressure Regulators*

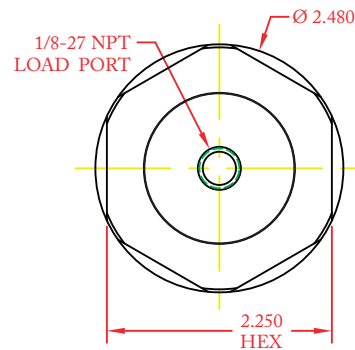
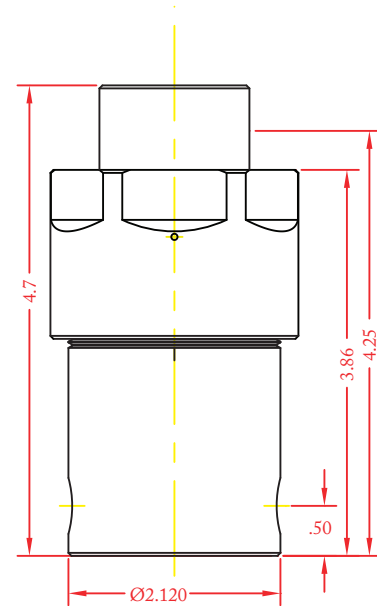


SPECIFICATIONS

- **MAXIMUM INLET PRESSURE:**
 - REGULATOR: 6000 PSIG (413.69 bar)
 - DOME LOAD: 6000 PSIG (413.69 bar)
- **MAXIMUM CONTROL PRESSURE:**
 - 6000 PSIG (413.69 bar)
- **FLOW (Cv):** 0.06, 0.14, or 0.20
(See P/N 30-10221F for Cv 0.4)

MATERIALS OF CONSTRUCTION

- **BODY OPTIONS:**
 - SAE 360 Brass
 - 316 Stainless Steel
- **BONNET OPTIONS:**
 - SAE 360 Brass
 - 303 Stainless Steel
- **MAIN VALVE SEAT OPTIONS:**
 - Vespel®
 - 17-4 Stainless Steel
- **ELASTOMER SEAL OPTIONS:**
 - BUNA-N
 - Viton®
 - EPDM
 - Kalrez® (Contact factory for pricing)
- **WETTED PARTS:**
 - 300 Series Stainless Steel
 - 17-4 Stainless Steel



(Part number: 30-10211D shown above)

PORTING

- **INLET/OUTLET OPTIONS**
 - 1/4", 3/8" FNPT
 - 1/4", 3/8" SAE J1926
 - 1/4", 3/8" SAE AS5202 (MS33649**)
- **LOAD PORT:** 1/8" FNPT

OPTIONAL ITEMS

- Private label
- Load port orientation
- Bias spring (P/N: 30-10211)
- Cv 0.4 model (P/N: 30-10211F)

**SAE AS5202 supersedes MS33649

Kalrez® Vespel® & Viton® are registered trademarks of E.I. duPont de Nemours and Company



**DOME LOADED
HYDRAULIC
HIGH PRESSURE**
Back Pressure Regulators



SERIES	-	1	2	3	4	-	5 6	-	7
30-10211D	-					-		-	

1	BODY MATERIALS
1	SAE 360 Brass Body & Bonnet
2	316 Stainless Steel Body, 303 Stainless steel Bonnet
2	FLOW (Cv)
0	Cv 0.06
1	Cv 0.14
2	Cv 0.2
3	PORT SIZE
4	1/4"
6	3/8"
<i>DOME PORT: 1/8-27 FNPT</i>	

4	PORT TYPE
1	FNPT
2	SAE J1926
3	SAE AS5202 (<i>MS33649**</i>)
<i>**SAE AS5202 supersedes MS33649</i>	
5 6	O-RING MATERIAL
00	BUNA-N
02	VITON®
05	EPDM
11	KALREZ® <i>(Contact factory for pricing)</i>

7	VALVE SEAT
0	Vespel®
1	17-4 Stainless Steel

6000 PSIG MAX INLET

The end user is responsible to ensure adequate fittings are used to connect regulator to plumbing.

Kalrez® Vespel® & Viton® are registered trademarks of E.I. duPont de Nemours and Company

Contact factory for material certifications. Fees may apply.