



SINGLE STAGE STABLE SET PRESSURE PISTON SENSED *Pressure Reducing Regulators*

2610 SERIES

PREMIER INDUSTRIES

1590 99th Ln NE,
Minneapolis, MN 55449
763-786-4020



MADE IN THE USA
Minneapolis, MN

DESCRIPTION

The Premier 2610 Series single stage regulators are equipped with new patent pending technology that enables increased stability in delivery pressure and a significantly reduced decaying inlet characteristic in a single stage. Premier 2610 Series single stage, piston sensed, pressure reducing regulators feature a max inlet pressure of 3500 PSIG (241.34 bar), outlet pressures up to 2500 PSIG (172.37 bar), and Cv 0.20. Premier 2610 Series regulators are well suited for applications with high outlet pressures from a compressed gas source. Models are available for both corrosive and non-corrosive service featuring a variety of body, & seal options.

FEATURES

- Reduced decaying inlet characteristic
- 3500 PSIG (241.34 bar) max inlet pressure
- Outlet pressures up to 2500 PSIG (172.37 bar)
- Cv 0.20
- Compact size
- Non-venting
- Machined bar stock body, bonnet, and piston eliminates porosity found in castings
- Economical pricing

2610 SERIES

SINGLE STAGE STABLE SET PRESSURE PISTON SENSED *Pressure Reducing Regulators*



SPECIFICATIONS

- **MAXIMUM INLET PRESSURE:** 3500 PSIG (241.34 bar)
- **CONTROL PRESSURE RANGES:**
 - 0-250 PSIG (0 - 17.24 bar)
 - 0-500 PSIG (0 - 34.47 bar)
 - 0-1000 PSIG (0 - 68.95 bar)
 - 0-1500 PSIG (0 - 103.42 bar)
 - 0-2500 PSIG (0 - 172.37 bar)
- **FLOW (Cv):** 0.2 max

MATERIALS OF CONSTRUCTION

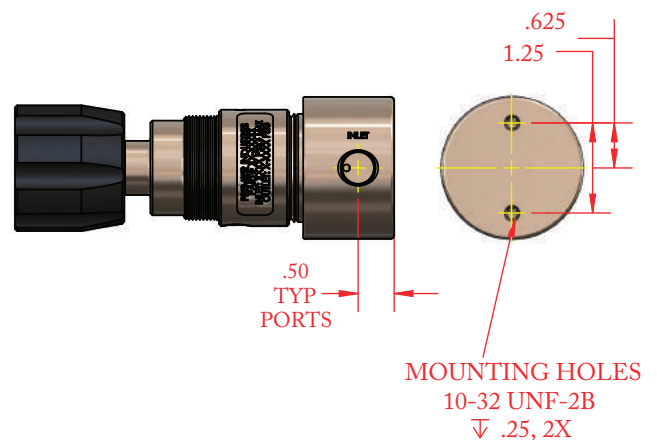
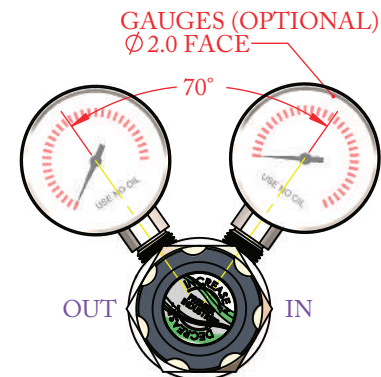
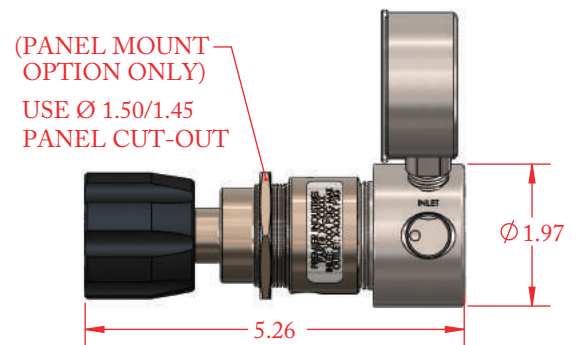
- **BODY OPTIONS:**
 - 316 Stainless Steel
 - 303 Stainless Steel
 - 6061-T6 Aluminum/Hardcoat Anodize*
**Minimum quantity or lot charges apply to the aluminum, hardcoat option*
- **BONNET:**
 - 6061-T6 Aluminum/Nickel Plated
- **PISTON/PISTON HOUSING:**
 - 316 Stainless Steel
 - 303 Stainless Steel
- **SEALS:**
 - Viton-A®
 - EPDM
 - Neoprene
 - Nitrile
- **VALVE SEAT:** PCTFE
- **OTHER WETTED COMPONENTS:**
 - 300 series stainless steel wetted components
 - All 316 stainless steel wetted components (316 S.S. body)
- **GAUGE OPTIONS:**
(Optional, only available with 'C' & 'C*' porting configurations, see page 3)
 - 300 series stainless steel wetted components
 - 316 stainless steel wetted components (316 S.S. body)

PORTING

- **INLET:**
 - 1/4-18 FNPT
 - 3/8-18 FNPT
- **OUTLET:**
 - 1/4-18 FNPT
 - 3/8-18 FNPT

OPTIONS

- Panel mounting nut
- Private label







(Part number shown above: 50-12482)



**SINGLE STAGE
STABLE SET PRESSURE
PISTON SENSED**
Pressure Reducing Regulators



PART #	-	1	2	-	3	4	-	5	6	-	7
50-12482	-			-			-			-	

1	BODY MATERIAL & FINISH
1	6061-T6 Aluminum, <i>Hardcoat anodize*</i>
2	303 Stainless Steel, <i>cleaned per spec #515</i>
3	316 Stainless Steel, <i>cleaned per spec #515</i>
<i>Minimum quantity or lot charges apply to the aluminum, hardcoat option</i>	
2	PORTING CONFIGURATIONS
1	 1/4 FNPT ports
2	 3/8 FNPT ports
3	 1/4 FNPT ports
4	 1/4 FNPT ports (<i>red</i>) 3/8 FNPT ports (<i>blue</i>)
3	MAIN VALVE SEAT
1	PCTFE

4	O-RING SEALS
1	Nitrile
2	Viton-A®
3	EPDM
4	Neoprene
5	OUTLET PRESSURE <i>(outlet gauge range, if supplied)</i>
1	0-250 PSIG / 0-17.24 bar <i>(0-400 psig gauge)</i>
2	0-500 PSIG / 0-34.47 bar <i>(0-1000 psig gauge)</i>
3	0-1000 PSIG / 0-68.95 bar <i>(0-1500 psig gauge)</i>
4	0-1500 PSIG / 0-103.42 bar <i>(0-3000 psig gauge)</i>
5	0-2500 PSIG / 0-172.37 bar <i>(0-3000 psig gauge)</i>
6	GAUGES <i>(available with 'C' & 'C*' porting configurations only)</i>
1	No gauges
2	Include gauges

7	MOUNTING OPTIONS
1	Bottom mount only
2	Panel mount & bottom mount