

**Project:**

**MOONSHADOW EXTERIOR ILLUMINATOR FOR WET LOCATION Lamping: 1 x 7W MR-16 LED RETROFIT**

**Date:**

**Cat. No:**

**DLED-101-D-\_\_\_\_\_+\_\_\_\_\_+\_\_\_\_\_+**

**Type:**

**Fixture Description:**

A solid brass sand casting with a glass sealed aperture and solid brass lamp holder for wet locations. The fixture is available with three different housings and utilizes a 7 watt MR-16 LED retrofit lamp. Applications include step lighting, path lighting or grazing illumination techniques.

**Construction:**

A solid brass sand casting with a glass sealed louvered aperture.

**Electrical:**

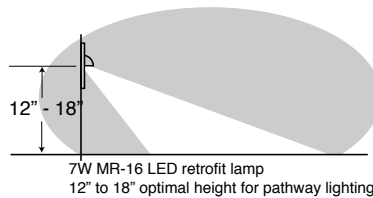
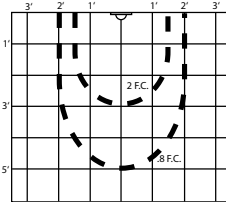
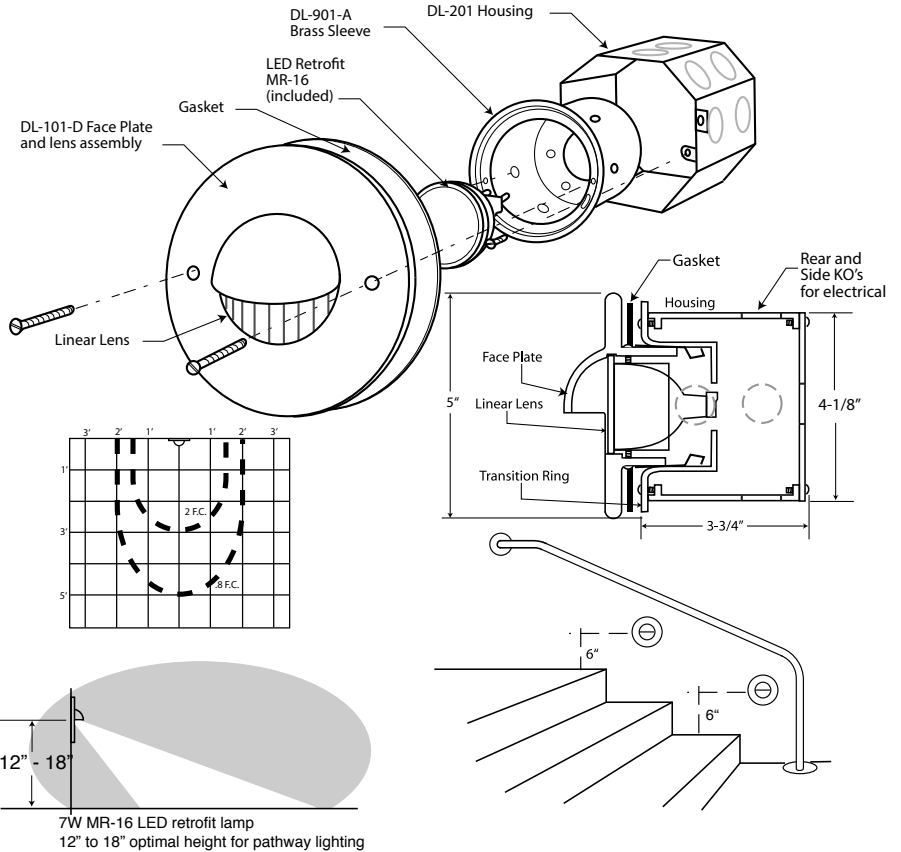
Remote 12-volt power supply.

**Mounting:**

Solid brass 8/32" phillips screws mount faceplate to housing.

**Finishes:**

1. Verde 2. Satin Nickel 3. Copper Bronze
  4. White\* 5. Ancient Bronze 6. Brass Bronze
  7. Custom 8. Copper Plate 9. Ancient Verde
  10. Grey Bronze 11. Rust Brown\* 12. Black
  13. Pewter 14. Oil Rubbed Bronze 15. Copper Edge Bronze\* 16. Black Iron Textured Matte\*
  17. Copper Edge Bronze\*
- \*Powder Coat Finish



**Lamp:**

7W MR-16 LED retrofit spot lamp.

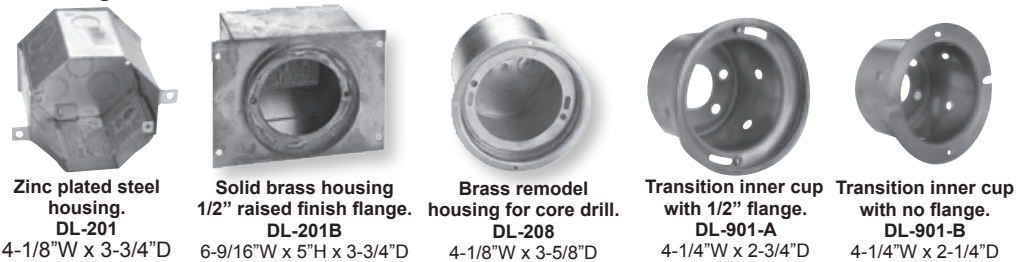
**Lens:**

.125 glass with linear prism.

**Label:**

ETL listed, wet location.  
UL 1598

**Housings**



**CSA**

**TO FORM A**

**CATALOG NUMBER:**

**WHICH SPECIFIES:**

Part #	Mounting	Housing	Inner Cup	Lamp	Color Temp.	Finish
DLED-101	D	DL-201	901-A	303-SP	2700K	5
Moonshadow Fixture	Screw Fit	Zinc Plated Steel Housing DL-201B DL-208	1/2" Flange Inner Cup 901-B	7W MR-16 LED Spot	2700K 3000K	1