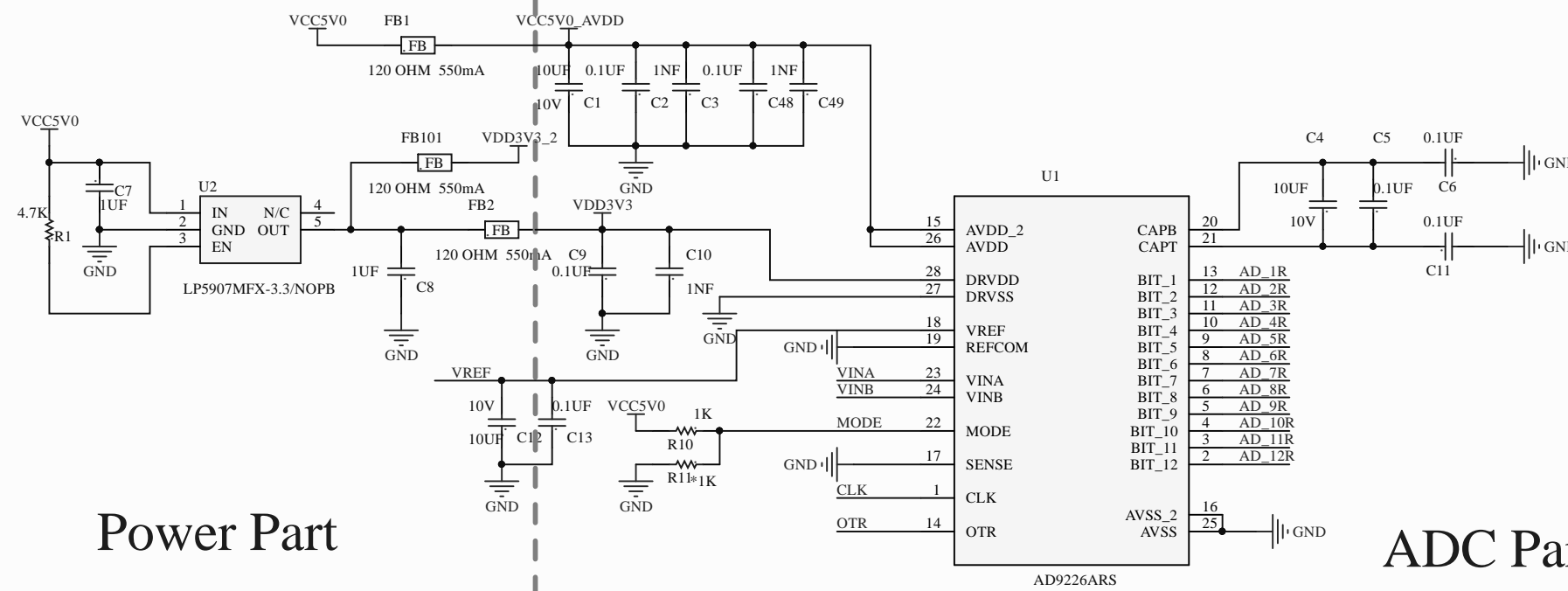
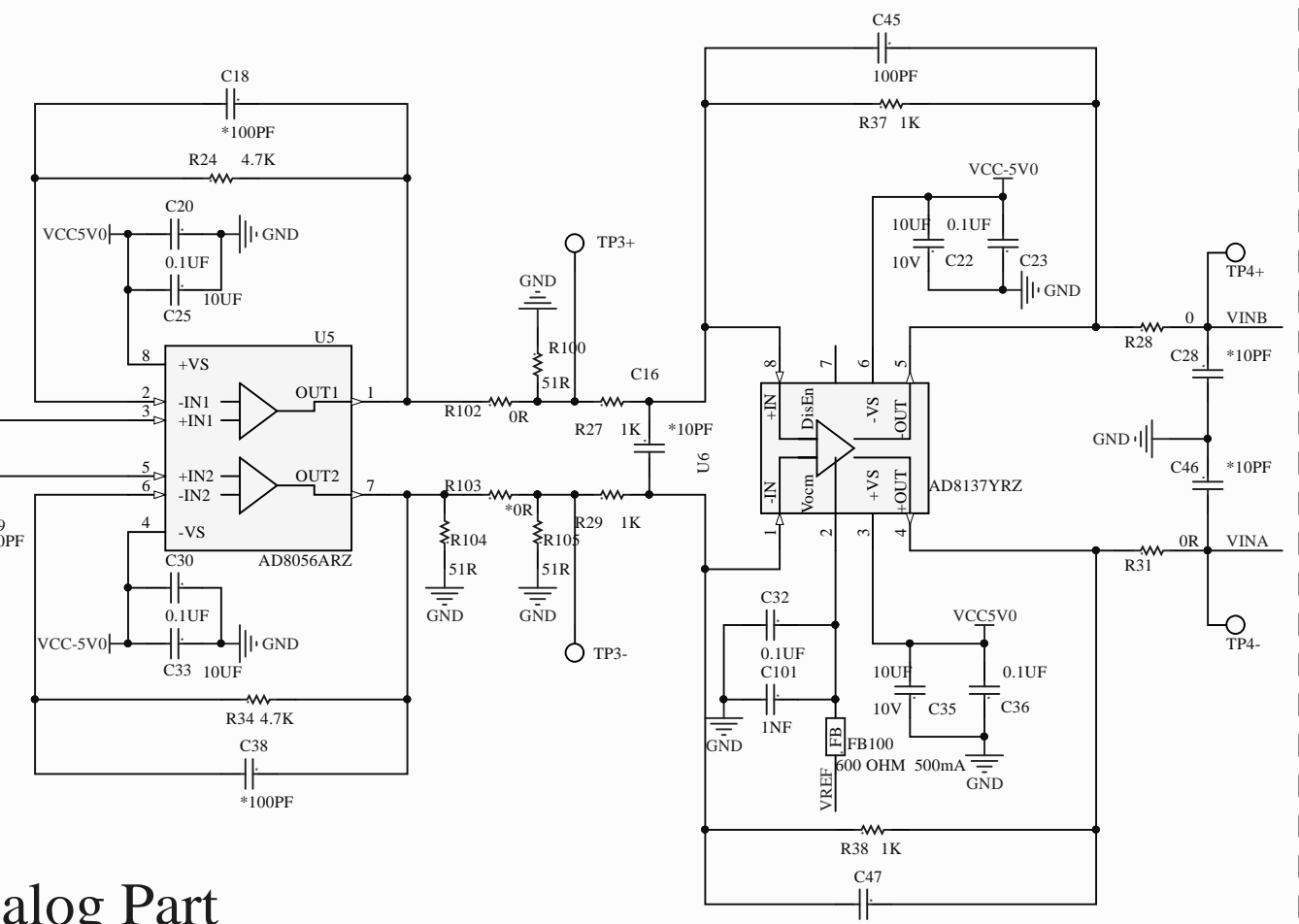
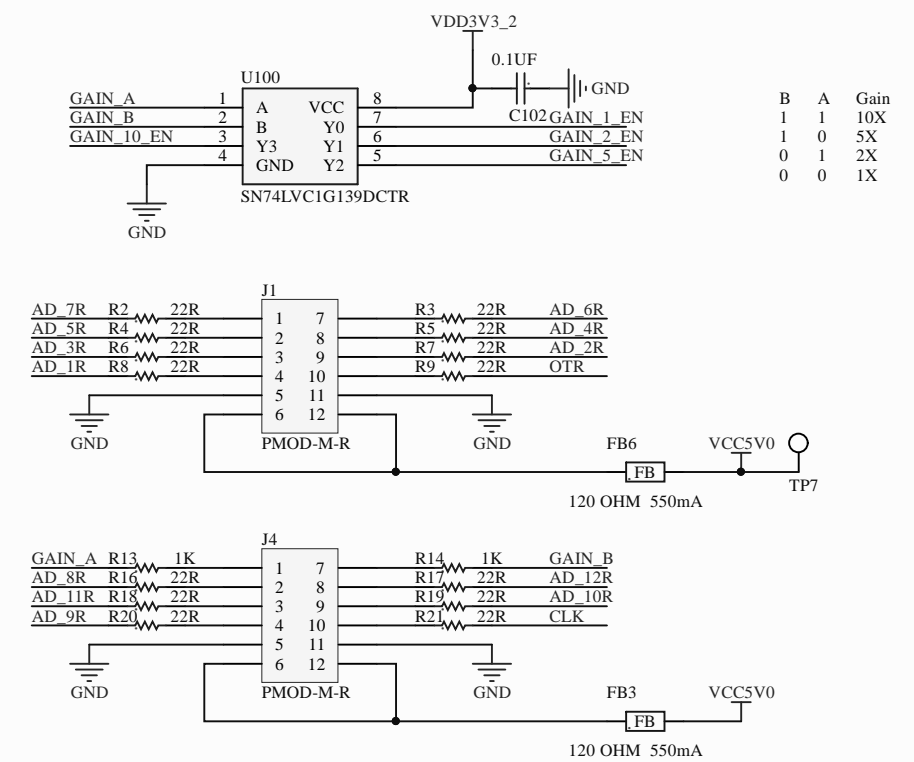


### Analog Part



### ADC Part



### Power Part