



# Slimfire



## OPERATIONAL INFORMATION

General	
VOLtage (V)	~230V
Frequency (Hz)	50Hz
Max Ambient Temp	40°C
Class	2
Duration	180min
IP Rating	IP20
Emergency Classification	D40
Mounting Type	Recessed Mounting
Wiring	Flex&Plug
Lamp Power	2W(D40)
Avg. Circuit Power	0.45W
Max. Circuit Power	3W

## ORDERING INFORMATION

General	
Code	TLSE23W
Description	Slimfire
Barcode Number	9312375505600
Carton Qty	12

## BATTERY

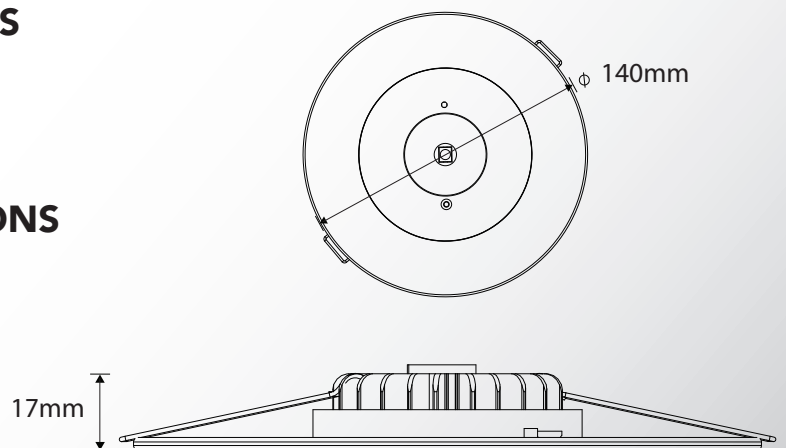
General	
Battery Type	NiMH
Battery Voltage	3.2V
Battery Code(s)	
Charging Time	16 Hours
Charging Type	Variable

## ACCESSORIES AND SPARE PARTS

Code	Description
	1800mAH NiMH

## CONSTRUCTION AND DIMENSIONS

Body	PC
Dish	PC
Cut Out	74-80mm



## SPACING TABLE (DISTANCE BETWEEN FITTINGS)

Lux	Classification	Mounting Height (M)															
		2.1	2.4	2.7	3	3.3	3.6	4	4.5	5	6	7	8	9	10	15	20
0.2	D40	16.7	17.4	18	18.6	19.1	19.6	20.1	20.8	21.3	22.1	22.7	23	23.1	23.1	19.4	
1	D40	9.3	9.6	9.8	10	10.1	10.2	10.3	10.2	10.1	9.4	8.2	4.8				