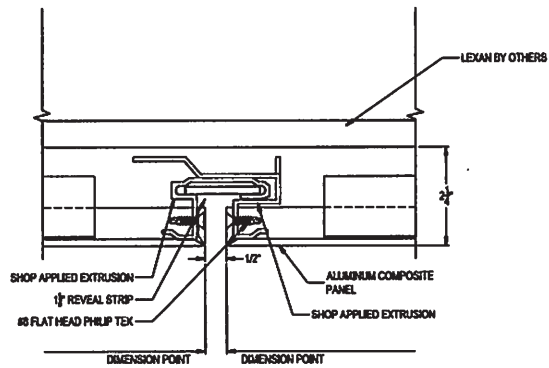


UNEKE AAMA 508 TESTING

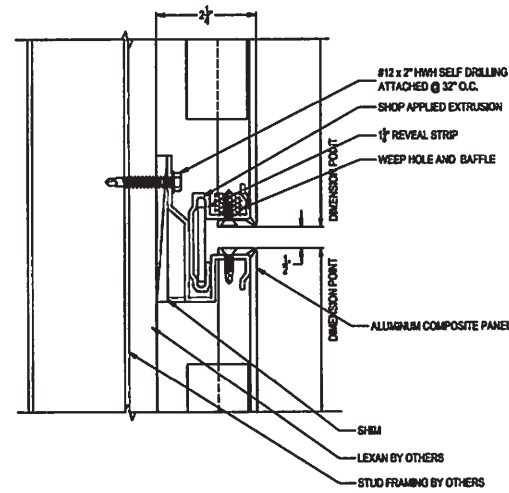
SCALE:	DRAWN BY:
DATE:	CHECKED BY:
NO.:	REVISED BY:
REVISIONS:	DATE:

ELEVATION

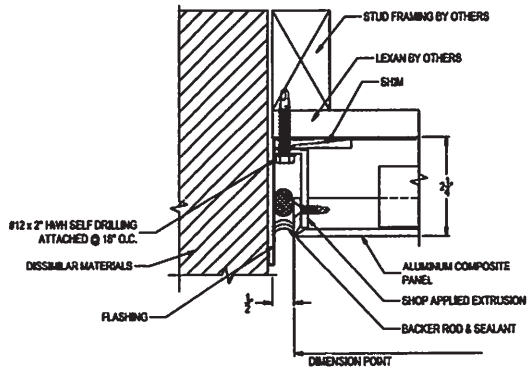
E1



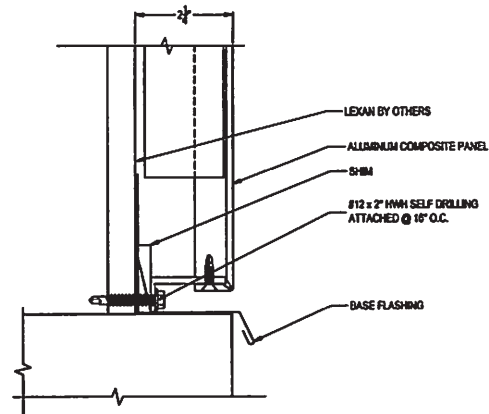
1 VERTICAL JOINT (TYP)  
REF:



2 HORIZONTAL JOINT (TYP)  
REF:



3 ACM TERMINATION DETAIL  
REF:



4 ACM BASE DETAIL  
REF:



SCALE:	DRAWN BY:
DATE:	CHECKED BY:
JOB #	REVISED BY:

NO.	DATE:	
REVISIONS:		

DETAILS

D1