

DO YOU HAVE THE TOUCH

INTRODUCING

THE NEXT GENERATION IN SINGLE CUP BREWING SYSTEMS

*Eccellenza*<sup>TM</sup>  
touch

April 2016

**VKI**  
TECHNOLOGIES  
A DIVISION OF KEURIG CANADA INC.

Revolutionizing single-cup brewing since 1965

Contact Us:

1-800-567-2951

[www.vkitech.com](http://www.vkitech.com)

Brew exceptional coffee and today's most popular hot specialty beverages—at the touch of a screen.



## HIGH-DEFINITION EXCELLENCE

### Featuring:



#### Intuitive User Interface

User-friendly interactive touchscreen designed with the latest market standards and trends.



#### Customer Experience

High-quality images to easily identify beverage and enhance customer experience.



#### One Touch

Select most popular beverage with one touch of the screen.

The Eccellenza Touch with its high-definition user-friendly 10.1" touchscreen, simplifies the beverage selection process, offers the freshest cup of coffee possible and a wide variety of specialty beverages—all this, ground and brewed to perfection in seconds. Great coffee for even the most discerning coffee connoisseurs.

This one of a kind, revolutionary new brewing system alleviates mess and clean up, while ensuring the convenience, consistent taste and quality for which VKI's single cup brewing systems are renowned.

*Eccellenza*<sup>™</sup>  
touch

# Introducing bean-to-cup brewing excellence



## Eccellenza™ touch

The beauty of the Eccellenza Touch is its high-definition, user-friendly 10.1" touchscreen. It simplifies the beverage selection process while offering gourmet coffee and a wide variety of specialty beverages. As a bean-to-cup system, the coffee is always as fresh as can be – ground and brewed to perfection in seconds.

There is a tasty beverage for everyone...  
including the most sophisticated coffee drinkers:

### BEVERAGE SELECTION:



LATTE



FRENCH  
VANILLA COFFEE



FRENCH VANILLA



HOT MILK CHOCOLATE



HOT CHOCOLATE



MOCHACCINO



CAPPUCCINO



GOURMET COFFEE



ESPRESSO STYLE



CAFE MOCHA

You can choose  
3 brewing strengths and  
3 cup sizes: 8 oz 10 oz 12 oz  
for any coffee

# Innovative design driven by simplicity and excellence



## Intuitive User Interface

User-friendly interactive touchscreen designed with the latest market standards and trends.



## Customer Experience

High-quality images to easily identify beverage and enhance customer experience.



## One Touch

Select most popular beverage with one touch of the screen.



## Easy Updates

Firmware upgrade via USB Flash drive.

## choose a green solution



Waste-Free: no paper filter required and coffee is compostable



Maintenance-free up to 10 000 cups

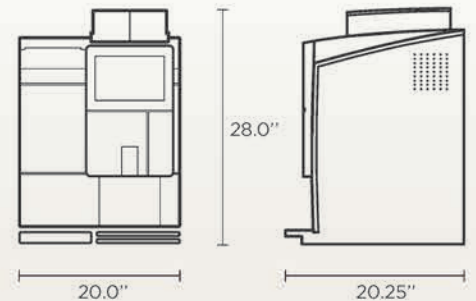


Energy-Saving Mode during preset periods of time

### TECHNICAL SPECIFICATIONS

- Revolutionary New Brewing System
- 2 Coffee Bean Dispensers
- 3 Soluble Powder Dispensers
- Easy Set-Up & Configuration
- Low Maintenance Requirements
- Wireless Capabilities
- External access (no dedicated caretaker)
- Shorter machine than the competition
- Counter footprint is considerably smaller (27.5" H x 20" W x 21.8" D)

Brewer dimensions 28.0" H x 20.0" W x 20.25" D  
Installation requirement 34.5" H x 22.0" W x 22.5" D  
LCD Screen 10" (Diagonal)  
Cup sizes 8-oz, 10-oz, 12-oz  
Total weight (empty) 79.2 lbs  
Voltage rating 120 Volts AC, 60 Hz  
Heater wattage 1300 Watts  
Water supply Plumbed 3/4" STD hose connection or pump and bottled water system  
Certifications/Listings: NSF, ETL (UL, CSA)



*Eccellenza*<sup>™</sup>  
touch