

SUBMERSIBLE STAINLESS VORTEX SEWAGE PUMP

Series: BSV
0.5 to 7.5 HP - 3450 RPM
Spherical solids handling: 1½" & 2"



Stainless steel 316 construction.

DISCHARGE

2" & 3" NPT elbow, vertical.

LIQUID TEMPERATURE

104 °F (40 °C).

VOLUTE

316 series stainless steel.

MOTOR HOUSING

316 series stainless steel.

MOTOR COVER

316 series stainless steel.

SEAL PLATE

316 series stainless steel.

IMPELLER

Design: 8 vane, semi-open Vortex.

Material: 316 series stainless steel.

SHAFT

416 series stainless steel.

HARDWARE

316 series stainless steel.

GASKET

Viton®.

SEAL

Design: double, mechanical, oil filled chamber.

Material: carbon-ceramic upper seal, silicon carbide lower seal, stainless steel spring.

MOTOR

For continuous duty, 1 & 3 phase, 3450 RPM, dry type, insulation class B, protection IP68, 115, 230 & 460 volts. Built-in capacitor for single phase motors.

BEARINGS

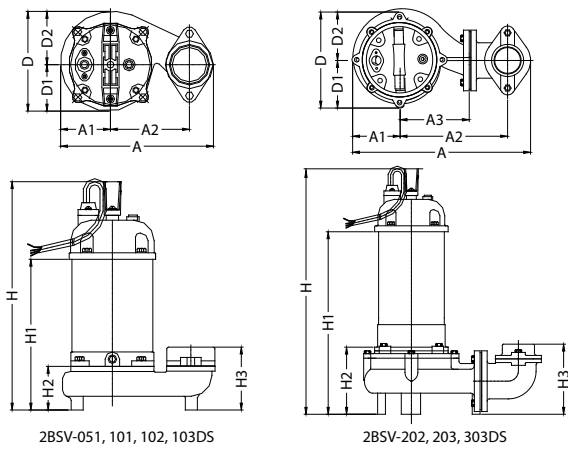
Ball, single row, permanently lubricated for radial and thrust load.

CORD ENTRY

Neoprene, 33 ft.

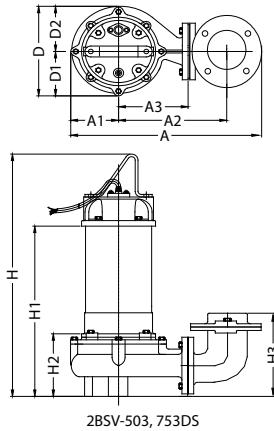
OPTIONAL EQUIPMENT

Slide rail couplings for 2 to 7.5 HP.



2BSV-051, 101, 102, 103DS

2BSV-202, 203, 303DS



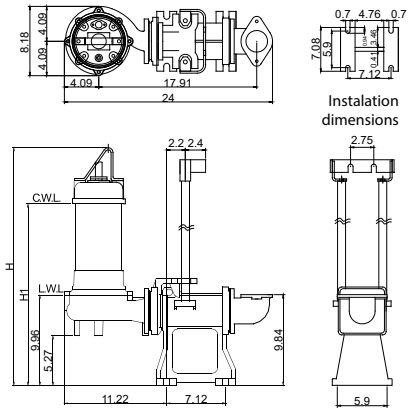
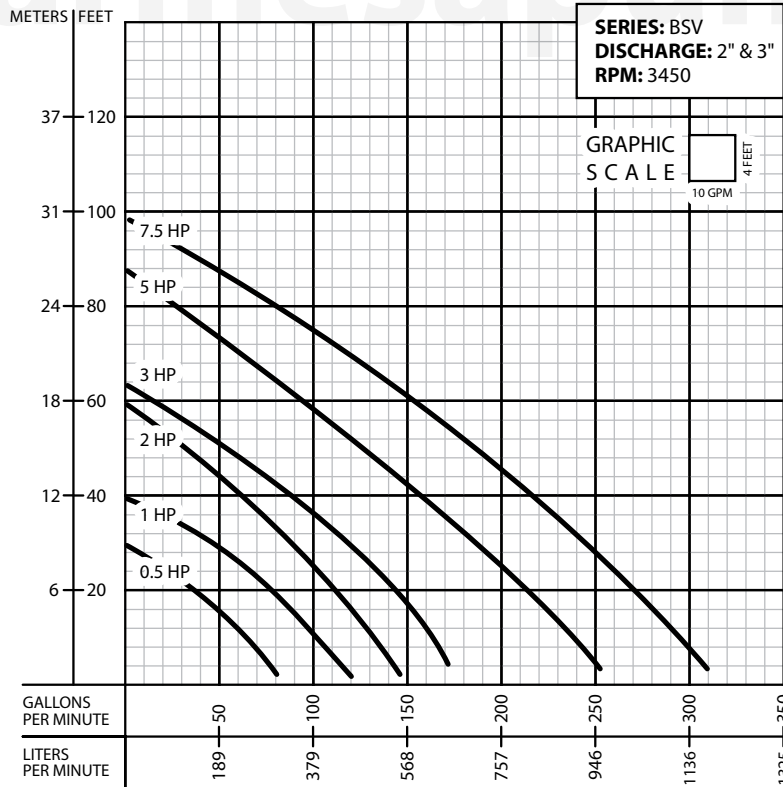
2BSV-503, 753DS

MODEL	A	A1	A2	A3	D	D1	D2	H	H1	H2	H3
2BSV-051DS	9.0	3.0	4.7	NA	5.9	2.8	3.1	16.7	11.7	4.6	5.4
2BSV-101DS	9.0	3.0	4.7	NA	5.9	2.8	3.1	17.9	12.9	4.6	5.4
2BSV-102DS	9.0	3.0	4.7	NA	5.9	2.8	3.1	17.9	12.9	4.6	5.4
2BSV-103DS	9.0	3.0	4.7	NA	5.9	2.8	3.1	17.9	12.9	4.6	5.4
2BSV-202DS	15.4	4.1	9.3	6.1	8.2	4.1	4.1	20.9	15.7	5.9	5.9
2BSV-203DS	15.4	4.1	9.3	6.1	8.2	4.1	4.1	20.9	15.7	5.9	5.9
2BSV-303DS	15.4	4.1	9.3	6.1	8.2	4.1	4.1	21.7	16.5	5.9	5.9
3BSV-503DS	18.3	3.9	10.8	7.0	8.3	3.7	4.5	24.9	18.4	6.3	8.9
3BSV-753DS	18.3	3.9	10.8	7.0	8.3	3.7	4.5	26.5	20.0	6.3	8.9
2BSV-054DS	9.0	3.0	4.7	NA	5.9	2.8	3.1	16.7	11.7	4.6	5.4
2BSV-104DS	9.0	3.0	4.7	NA	5.9	2.8	3.1	17.9	12.9	4.6	5.4
2BSV-204DS	15.4	4.1	9.3	6.1	8.2	4.1	4.1	20.9	15.7	5.9	5.9
2BSV-304DS	15.4	4.1	9.3	6.1	8.2	4.1	4.1	21.7	16.5	5.9	5.9
3BSV-504DS	18.3	3.9	10.8	7.0	8.3	3.7	4.5	24.9	18.4	6.3	8.9
3BSV-754DS	18.3	3.9	10.8	7.0	8.3	3.7	4.5	26.5	20.0	6.3	8.9

- Dimensions in inches.

MODEL	HP	VOLTS	PHASE	MAX. AMPS	Ø DISCHARGE	DISCHARGE MAX. (m)	MAX. FLOW (LPM)	CORD (ft)	SPH SLD HNDLG	WEIGHT (pounds)
2BSV-051DS	0.5	115	1	8	2"	9.1	334	33	1.5"	29
2BSV-101DS	1	115	1	12	2"	12	480	33	1.5"	40
2BSV-102DS	1	230	1	6	2"	12	480	33	1.5"	40
2BSV-103DS	1	230	3	4	2"	12	480	33	1.5"	40
2BSV-202DS	2	230	1	10.1	2"	18	590	33	2"	76
2BSV-203DS	2	230	3	6.2	2"	18	590	33	2"	76
2BSV-303DS	3	230	3	8	2"	19.5	680	33	2"	79
3BSV-503DS	5	230	3	15	3"	27	990	33	2"	123
3BSV-753DS	7.5	230	3	21	3"	30	1200	33	2"	136
2BSV-054DS	0.5	460	3	1.4	2"	9.1	334	33	1.5"	29
2BSV-104DS	1	460	3	2	2"	12	480	33	1.5"	40
2BSV-204DS	2	460	3	3.1	2"	18	590	33	2"	76
2BSV-304DS	3	460	3	4	2"	19.5	680	33	2"	79
3BSV-504DS	5	460	3	7.5	3"	27	990	33	2"	123
3BSV-754DS	7.5	460	3	10.5	3"	30	1200	33	2"	136

- Built-in capacitor for single phase motors.



Pump with slide rail coupling

HP	DISCHARGE	DIMENSIONS	
		H	H1
2	2"	26.0	21.0
3	2"	27.2	21.8
5	3"	30.3	23.8
7.5	3"	31.9	25.4

- Dimensions in inches.

IMPORTANT!

1. Never use this pump to handle explosive liquids.
2. This pump is not approved to be used in swimming pools, recreational installations or any application where human contact may be common.
3. Pump may be operated "dry" for extended periods without damage to motor &/or seals.
4. Testing is performed with water specific gravity of 1.0 @ 68 °F (20 °C); other fluids may vary performance.